



Standard Test Method for Evaluating Lubricity of Diesel Fuels by the High-Frequency Reciprocating Rig (HFRR)¹

This standard is issued under the fixed designation D6079; the number immediately following the designation indicates the year of original adoption or, in the case of revision, the year of last revision. A number in parentheses indicates the year of last reapproval. A superscript epsilon (ϵ) indicates an editorial change since the last revision or reapproval.

1. Scope

1.1 This test method covers the evaluation of the lubricity of diesel fuels using a high-frequency reciprocating rig (HFRR).

1.2 This test method is applicable to middle distillate fuels, such as Grades No. 1-D S15, S500, and S5000, and Grades No. 2-D S15, S500, and S5000 diesel fuels, in accordance with Specification [D975](#); and other similar petroleum-based fuels which can be used in diesel engines. This test method is applicable to biodiesel blends. B5 was included in the round robin program that determined the precision statement.

NOTE 1—It is not known that this test method will predict the performance of all additive/fuel combinations. Additional work is underway to establish this correlation and future revisions of this test method may be necessary once this work is complete.

1.3 The values stated in SI units are to be regarded as standard. No other units of measurement are included in this standard.

1.4 *This standard does not purport to address all of the safety concerns, if any, associated with its use. It is the responsibility of the user of this standard to establish appropriate safety and health practices and determine the applicable regulatory limitations prior to use.* Specific warning statements are given in Section 7.

2. Referenced Documents

2.1 ASTM Standards:²

[D975](#) Specification for Diesel Fuel Oils

[D4057](#) Practice for Manual Sampling of Petroleum and Petroleum Products

¹ This test method is under the jurisdiction of ASTM Committee D02 on Petroleum Products, Liquid Fuels, and Lubricants and is the direct responsibility of Subcommittee D02.E0 on Burner, Diesel, Non-Aviation Gas Turbine, and Marine Fuels.

Current edition approved April 1, 2016. Published May 2016. Originally approved in 1999. Last previous edition approved in 2011 as D6079 – 11. DOI: 10.1520/D6079-11R16.

This test method was developed by ISO/TC22/SC7/WG6 and is a part of ISO 12156.

² For referenced ASTM standards, visit the ASTM website, www.astm.org, or contact ASTM Customer Service at service@astm.org. For *Annual Book of ASTM Standards* volume information, refer to the standard's Document Summary page on the ASTM website.

[D4177](#) Practice for Automatic Sampling of Petroleum and Petroleum Products

[D4306](#) Practice for Aviation Fuel Sample Containers for Tests Affected by Trace Contamination

[D6078](#) Test Method for Evaluating Lubricity of Diesel Fuels by the Scuffing Load Ball-on-Cylinder Lubricity Evaluator (SLBOCLE)

[E18](#) Test Methods for Rockwell Hardness of Metallic Materials

[E92](#) Test Methods for Vickers Hardness and Knoop Hardness of Metallic Materials

2.2 SAE Standard:³

[SAE-AMS 6440](#) Steel, Bars, Forgings, and Tubing, 1.45 Cr (0.93-1.05C) (SAE 52100), for Bearing Applications

2.3 ISO Standard:⁴

[ISO 3290](#) Roller Bearings, Balls – Dimensions and tolerances

3. Terminology

3.1 Definitions:

3.1.1 *boundary lubrication, n*—a condition in which the friction and wear between two surfaces in relative motion are determined by the properties of the surfaces and the properties of the contacting fluid, other than bulk viscosity.

3.1.1.1 *Discussion*—Metal to metal contact occurs and the chemistry of the system is involved. Physically adsorbed or chemically reacted soft films (usually very thin) support contact loads. As a result, some wear is inevitable.

3.1.2 *lubricity, n*—a qualitative term describing the ability of a fluid to affect friction between, and wear to, surfaces in relative motion under load.

3.1.2.1 *Discussion*—In this test method, the lubricity of a fluid is evaluated by the wear scar, in microns, produced on an oscillating ball from contact with a stationary disk immersed in the fluid operating under defined and controlled conditions.

3.2 Abbreviations:

3.2.1 *HFRR*—high frequency reciprocating rig

³ Available from SAE International (SAE), 400 Commonwealth Dr., Warrendale, PA 15096-0001, <http://www.sae.org>.

⁴ Available from American National Standards Institute (ANSI), 25 W. 43rd St., 4th Floor, New York, NY 10036, <http://www.ansi.org>.

3.2.2 *WSD*—wear scar diameter

4. Summary of Test Method

4.1 A 2 mL test specimen of fuel is placed in the test reservoir of an HFRR.

4.2 A vibrator arm holding a nonrotating steel ball and loaded with a 200 g mass is lowered until it contacts a test disk completely submerged in the fuel. When the fuel temperature has stabilized, the ball is caused to rub against the disk with a 1 mm stroke at a frequency of 50 Hz for 75 min.

4.3 The test fuel temperature is maintained at 60 °C and the ambient relative humidity is maintained between 30 % and 85 %.

4.4 At the conclusion of the test, the upper specimen holder is removed from the vibrator arm and cleaned. The image of the wear scar is captured using the microscope digital camera, and the dimensions of the major and minor axes of the wear scar are measured and recorded.

5. Significance and Use

5.1 Diesel fuel injection equipment has some reliance on lubricating properties of the diesel fuel. Shortened life of engine components, such as diesel fuel injection pumps and injectors, has sometimes been ascribed to lack of lubricity in a diesel fuel.

5.2 The trend of HFRR test results to diesel injection system pump component distress due to wear has been demonstrated in pump rig tests for some fuel/hardware combinations where boundary lubrication is believed to be a factor in the operation of the component.⁵

5.3 The wear scar generated in the HFRR test is sensitive to contamination of the fluids and test materials, the temperature of the test fuel, and the ambient relative humidity. Lubricity evaluations are also sensitive to trace contaminants acquired during test fuel sampling and storage.

5.4 The HFRR and Scuffing Load Ball on Cylinder Lubricity Evaluator (SLBOCLE, Test Method D6078) are two methods for evaluating diesel fuel lubricity. No absolute correlation has been developed between the two test methods.

5.5 The HFRR may be used to evaluate the relative effectiveness of diesel fuels for preventing wear under the prescribed test conditions. Correlation of HFRR test results with field performance of diesel fuel injection systems has not yet been determined.

5.6 This test method is designed to evaluate boundary lubrication properties. While viscosity effects on lubricity in this test method are not totally eliminated, they are minimized.

6. Apparatus

6.1 *High-Frequency Reciprocating Rig (HFRR)*,^{6,7}(see Fig. 1) capable of rubbing a steel ball loaded with a 200 g mass

⁵ Nikanjam, M., Crosby, T., Henderson, P., Gray, C., Meyer, K, and Davenport, N., "ISO Diesel Fuel Lubricity Round Robin Program," SAE, Paper No. 952372, SAE Fuels and Lubricants Meeting, Oct. 16-19, 1995, Toronto, Canada.

⁶ The sole source of supply of the apparatus known to the committee at this time is PCS Instruments, 78 Stanley Gardens, London W3 7SZ, England.

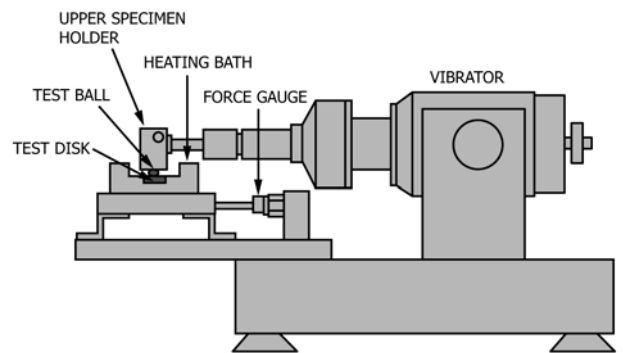


FIG. 1 Schematic Diagram of HFRR (not including instrumentation)

against a stationary steel disk completely submerged in a test fuel. The apparatus uses a 1 mm stroke length at a frequency of 50 Hz for 75 min. Complete operating conditions are listed in Table 1.

6.2 *Test Reservoir*, capable of holding a test disk in a rigid manner beneath the test fuel. The temperature of this reservoir, and consequently the test fuel contained in it, is maintained by means of a closely attached electrically controlled heater pad.

6.3 *Control Unit*^{6,7}for controlling stroke length, frequency, test reservoir temperature, friction force, electrical contact potential, and test duration, with an electronic data acquisition and control system.

6.4 *Microscope, with Digital Camera*^{6,7}capable of 100× magnification, installed and calibrated according to manufacturer instructions, capable of capturing a crisp image of the wear scar. Camera system resolution should be a minimum of 2048 × 1536 pixels. The measurement system should allow horizontal and vertical measurement devices or cursors to be positioned at the wear scar boundaries with an accuracy of 1 micron.

6.5 *Cleaning Bath*, ultrasonic seamless stainless steel tank with adequate capacity and a cleaning power of 40 W or greater.

6.6 *Desiccator*, capable of storing test disks, balls, and hardware.

7. Reagents and Materials

7.1 *Acetone*, reagent grade (**Warning**—Extremely flammable. Vapors may cause flash fire).

7.2 *Compressed Air*, containing less than 0.1 ppmv hydrocarbons and 50 ppmv water. (**Warning**—Compressed gas under high pressure. Use with extreme caution in the presence of combustible material.)

7.3 *Gloves*, appropriate for the reagents used.

7.4 *Reference Fluids*:

⁷ If you are aware of alternative suppliers, please provide this information to ASTM International Headquarters. Your comments will receive careful consideration at a meeting of the responsible technical committee,¹ which you may attend.

TABLE 1 Test Conditions

Fluid volume	2 mL ± 0.20 mL
Stroke length	1 mm ± 0.02 mm
Frequency	50 Hz ± 1 Hz
Fluid temperature	60 °C ± 2 °C
Relative humidity	between 30 % and 85 %
Applied load	200 g ± 1 g
Test duration	75 min ± 0.1 min
Bath surface area	6 cm ² ± 1 cm ²

7.4.1 *Fluid A*⁸—High lubricity reference (**Warning—Flammable**). Store in clean, borosilicate glass with an aluminum foil-lined insert cap or a fully epoxy-lined metal container. Store in dark area.

7.4.2 *Fluid B*⁸—Low lubricity reference (**Warning—Flammable**. Vapor harmful). Store in clean, borosilicate glass with an aluminum foil-lined insert cap or a fully epoxy-lined metal container. Store in a dark area.

7.5 *Heptane*, reagent grade (**Warning—Extremely flammable**. Vapors may cause flash fire.)

7.6 *Isooctane*, reagent grade (**Warning—Extremely flammable**. Vapors may cause flash fire.)

7.7 *2-propanol*, reagent grade (**Warning—Extremely flammable**. Vapors may cause flash fire.)

7.8 *Test Ball*,^{6,7} (Grade 28 per ISO 3290) of SAE-AMS 6440 steel, with a diameter of 6.00 mm, having a Rockwell hardness “C” scale (HRC) number of 58 - 66, in accordance with Test Methods E18.

7.9 *Test Disk*,^{6,7}—10 mm disk of SAE-AMS 6440 steel machined from annealed rod, having a Vickers hardness “HV 30,” in accordance with Specification E92, a scale number of 190-210, turned, lapped, and polished to a surface finish of less than 0.02 μm R_a.

7.10 *Wiper*, wiping tissue, light-duty, lint-free, hydrocarbon-free, disposable.

8. Sampling and Sample Containers

8.1 Unless otherwise specified, samples shall be taken by the procedure described in Practice D4057 or Practice D4177.

8.2 Because of the sensitivity of lubricity measurements to trace materials, sample containers shall be only fully epoxy-lined metal, amber borosilicate glass, or polytetrafluorethylene (PTFE), cleaned and rinsed thoroughly at least three times with the product to be sampled before use, as specified under Containers for Lubricity Testing in Practice D4306.

8.3 New sample containers are preferred, but if not available, the Containers for Lubricity Testing section of Practice D4306 gives guidance on suitable cleaning procedures for each type of container.

9. Preparation of Apparatus

9.1 *Test Disks*, (as received):

9.1.1 Place disks in a clean beaker. Transfer a sufficient volume of heptane or 50/50 isooctane/2-propanol into the beaker to completely cover the test disks.

9.1.2 Place beaker in ultrasonic cleaner and turn on for 7 min.

9.1.3 Handle all clean test pieces with clean forceps. Remove the test discs and repeat the above cleaning procedure from 9.1.1 with acetone for 2 min.

9.1.4 Dry and store in desiccator.

NOTE 2—Drying operations can be accomplished using compressed air jet at 140 kPa to 210 kPa-pressure.

9.2 *Test Balls*, (as received)—The test balls are to be cleaned following the same procedure, 9.1.1 to 9.1.4, as for the test disks.

9.3 *Hardware*—All hardware and utensils that come into contact with the test disks, test balls, or test fuel, shall be cleaned by washing thoroughly with heptane or 50/50 isooctane/2-propanol, rinsed with acetone, and dried.

10. Test Apparatus Inspection and Verification

10.1 *Recommended Calibration Intervals*:

10.1.1 Stroke length—every three months.

10.1.2 Temperature probes—every twelve months.

10.2 *Test Apparatus*—Verify test apparatus performance and accuracy at least every 20 tests by testing each reference fluid in accordance with this section. Perform one test with each reference fluid. If the WSD for either fluid is outside the specified limits provided with each fluid by the ASTM Test Monitoring Center, verify that the test is performed correctly, and repeat both reference tests. If necessary, calibrate the HFRR by following the steps in the instrument manual, and then test each of the high and low reference fluids.

11. Procedure

11.1 **Table 1** summarizes the test conditions.

11.2 Strict adherence to cleanliness requirements and to the specified cleaning procedures is required. During handling and installation procedures, protect cleaned test parts (disks, balls, reservoir, screws, heater block, and push rod) from contamination by using clean forceps and wearing appropriate gloves.

11.3 Using forceps, place the test disk into the test reservoir, shiny side up. Secure the test disk to the test reservoir and the test reservoir to the test apparatus. Ensure the unit’s temperature probe is properly placed in the reservoir. Ensure the relative humidity in the test laboratory is between 30 % and 85 %. (**Warning—Relative humidity is an important parameter**. Performing the test outside of the relative humidity limits will affect the lubricity result.)

11.4 Using forceps, place the test ball into the upper specimen holder and attach the holder to the end of the vibrator arm. Ensure the holder is horizontal before fully securing the unit.

11.5 Using a pipette, place 2 mL ± 0.2 mL of the test fuel into the test reservoir.

11.6 Set the test parameters according to **Table 1**.

⁸ Reference Fluids A and B are available from ASTM Test Monitoring Center, 6555 Penn Ave., Pittsburgh, PA 15026-4489.

11.7 Lower the vibrator arm and suspend a 200 g weight from the arm. Start the test.

11.8 At the completion of the test, lift up the vibrator arm. Remove the upper specimen holder.

11.9 Rinse the test ball (still in the holder) in cleaning solvents and wipe and dry thoroughly with a tissue.

11.10 Remove the test reservoir and properly dispose of the fuel.

11.11 Place the test ball holder under the microscope and measure the wear scar diameter in accordance with Section 12.

12. Measurement of the Wear Scar

12.1 Turn on the microscope light and position the upper specimen holder in the staging area slot at 100× magnification.

12.2 Adjust the stage so that the wear scar is centered in the viewing field.

12.3 Adjust the light intensity to obtain a clearly illuminated image.

12.4 Adjust the microscope stage until the edges of the wear scar come into focus.

12.5 Capture the image using the camera.

12.6 Identify and measure the x axis.

12.7 Identify and measure the y axis.

12.8 Record the measurement results.

NOTE 3—Refer to **Annex A1**, Measurement of HFRR Wear Scars, for guidance to determine the boundaries of the wear scar.

13. Calculation

13.1 Calculate the wear scar diameter as follows:

$$WSD = (M + N) / 2$$

where:

WSD = wear scar diameter, μm,

M = major axis, μm, and

N = minor axis, μm.

14. Report

14.1 Report the following information:

14.1.1 Major axis and minor axis to the nearest 10 μm, and wear scar diameter to the nearest 10 μm.

14.1.2 Description of the test fuel and date sample taken.

14.1.3 Record the batch number of the test specimens.

14.1.4 Date of testing.

14.1.5 Report the test method number, D6079.

15. Precision and Bias^{9,10}

15.1 *Precision*—The precision was developed using fuels representing a range of lubricity levels as well as a practical mix of common types of fuels, such as Grade No. 1-D, Grade No. 2-D, additized, and a biodiesel blend. The precision data were developed in a 2008 cooperative testing program involving ten testing laboratories from the United States, Canada, and South Africa. There were six distinct fluids and each laboratory received four samples of each fuel to conduct replicate testing both with the microscope and the digital camera. The fluids were blind coded so that replicate samples were not known to the operator. A randomized test sequence was provided and each laboratory was requested to use the same operator and equipment for all 24 samples.

15.1.1 The difference between two test results obtained by the same operator with the same apparatus under constant operating conditions on identical test material would, in the long run, in the normal and correct operation of the test method, exceed the following value in only one case in twenty:

$$\text{Repeatability} = 50 \mu\text{m}$$

15.1.2 The difference between two single and independent results obtained by different operators working in different laboratories on identical test material would, in the long run, in the normal and correct operation of the test method, exceed the following value in only one case in twenty:

$$\text{Reproducibility} = 80 \mu\text{m}$$

15.2 *Bias*—The procedure in this test method has no bias because lubricity is not a fundamental and measurable fluid property and thus is evaluated in terms of this test method.

16. Keywords

16.1 boundary lubrication; diesel fuel; friction; HFRR; lubricity; wear

⁹ Nikanjam, M., Rutherford, J., “Improving the Precision of the HFRR Lubricity Test,” SAE Paper No. 2006-01-3363.

¹⁰ Supporting data have been filed at ASTM International Headquarters and may be obtained by requesting Research Report RR:D02-1718.

ANNEX

(Mandatory Information)

A1. MEASUREMENT OF HFRR WEAR SCARS

INTRODUCTION

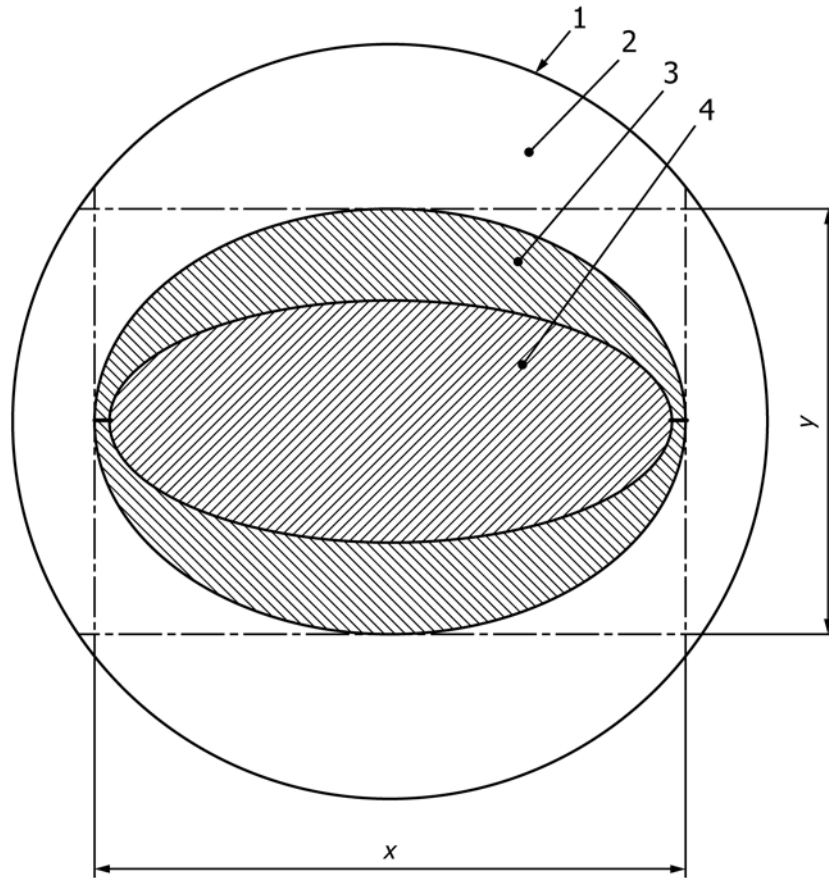
Annex A of ISO 12156-1:2006 (E) Measurement of HFRR wear scars, used by permission from ISO/CS.

A1.1 The appearance of the wear scar on the ball can vary with fuel type, particularly when lubricity additives are present. In general, the wear scar appears to be a series of scratches in the direction of motion of the ball, somewhat larger in the *x* direction than in the *y* direction.

A1.2 In some cases, for example when low-lubricity reference fluids are tested, the boundary between the scar and the discolored (but unworn) area of the ball is distinct, and it is easy to measure the scar size. In other cases, the central

scratched part of the scar is surrounded by a less distinct worn area, and there is no sharp boundary between the worn and unworn areas of the ball. In these cases, it can be more difficult to see or measure the true scar shape; as shown in Fig. A1.1, the overall wear scar comprises the distinct and the less distinct areas.

A1.3 Photographic examples of various wear scar shapes are shown in Fig. A1.2, together with an assessment of the overall scar boundary.



Key

- 1 test ball (not to scale)
- 2 unworn area
- 3 less distinct worn area
- 4 worn area

FIG. A1.1 Example of a Wear Scar with an Indistinct Boundary

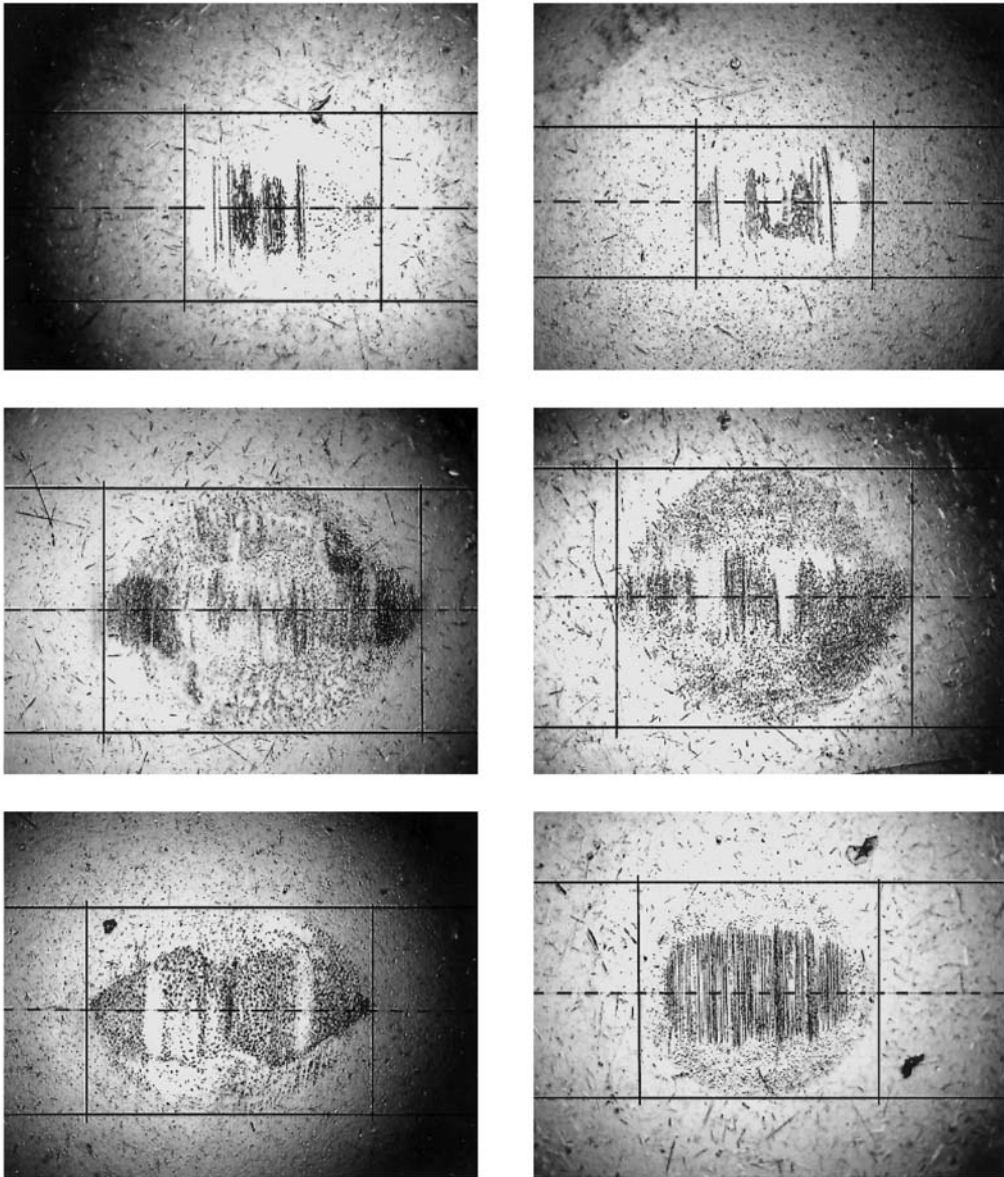


FIG. A1.2 Examples of Wear Scars

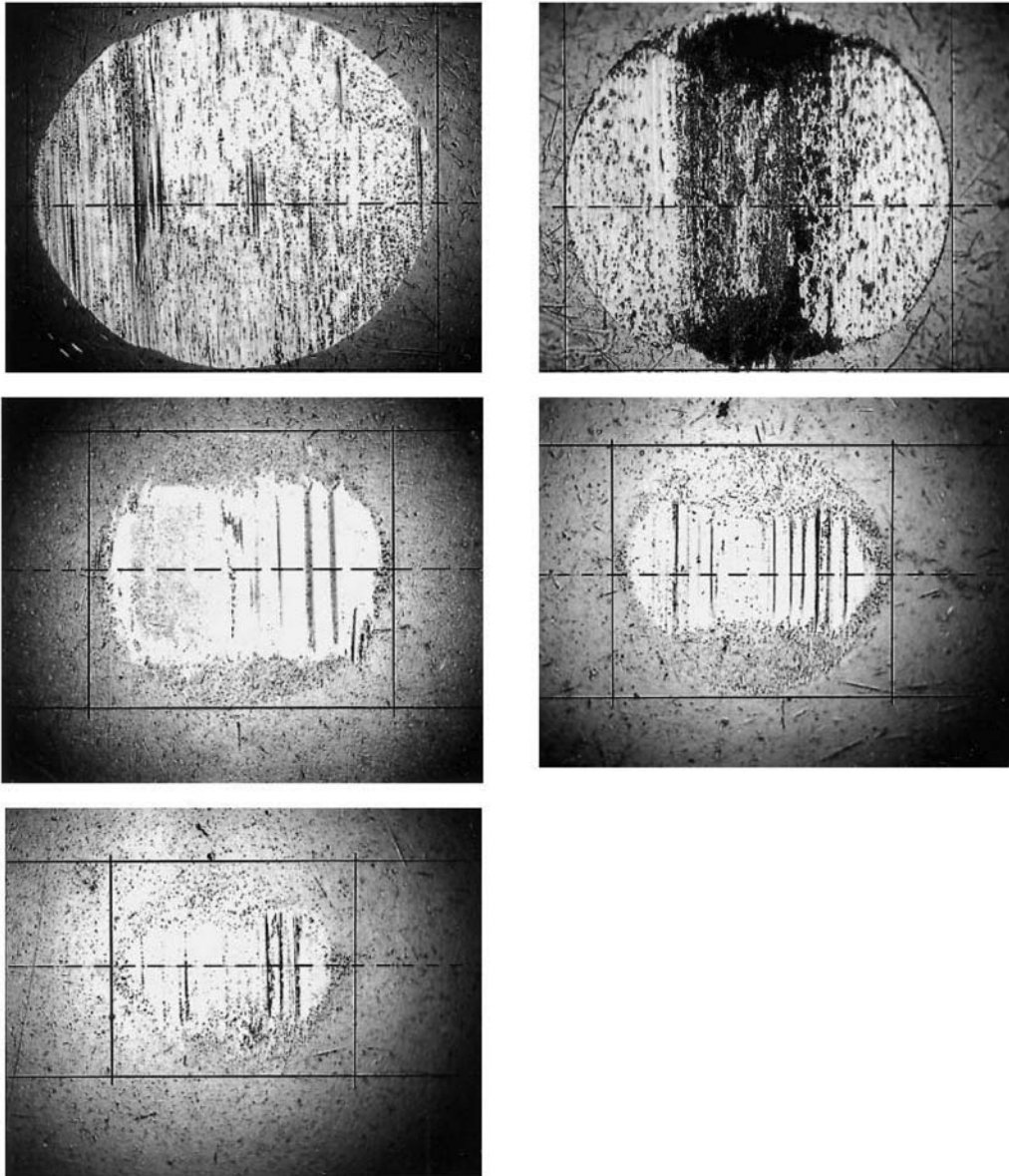


FIG. A1.2 Examples of Wear Scars (continued)

ASTM International takes no position respecting the validity of any patent rights asserted in connection with any item mentioned in this standard. Users of this standard are expressly advised that determination of the validity of any such patent rights, and the risk of infringement of such rights, are entirely their own responsibility.

This standard is subject to revision at any time by the responsible technical committee and must be reviewed every five years and if not revised, either reapproved or withdrawn. Your comments are invited either for revision of this standard or for additional standards and should be addressed to ASTM International Headquarters. Your comments will receive careful consideration at a meeting of the responsible technical committee, which you may attend. If you feel that your comments have not received a fair hearing you should make your views known to the ASTM Committee on Standards, at the address shown below.

This standard is copyrighted by ASTM International, 100 Barr Harbor Drive, PO Box C700, West Conshohocken, PA 19428-2959, United States. Individual reprints (single or multiple copies) of this standard may be obtained by contacting ASTM at the above address or at 610-832-9585 (phone), 610-832-9555 (fax), or service@astm.org (e-mail); or through the ASTM website (www.astm.org). Permission rights to photocopy the standard may also be secured from the Copyright Clearance Center, 222 Rosewood Drive, Danvers, MA 01923, Tel: (978) 646-2600; http://www.copyright.com/