



Standard Test Method for Particulate Contamination in Aviation Fuels by Laboratory Filtration¹

This standard is issued under the fixed designation D5452; the number immediately following the designation indicates the year of original adoption or, in the case of revision, the year of last revision. A number in parentheses indicates the year of last reapproval. A superscript epsilon (ϵ) indicates an editorial change since the last revision or reapproval.

This standard has been approved for use by agencies of the Department of Defense.

1. Scope*

1.1 This test method covers the gravimetric determination by filtration of particulate contaminant in a sample of aviation turbine fuel delivered to a laboratory.

1.1.1 The sample is filtered through a test membrane and a control membrane using vacuum. The mass change difference identifies the contaminant level per unit volume.

1.2 The values stated in SI units are to be regarded as the standard. The values given in parentheses are for information only.

1.3 *This standard does not purport to address all of the safety concerns, if any, associated with its use. It is the responsibility of the user of this standard to establish appropriate safety and health practices and determine the applicability of regulatory limitations prior to use.* For specific hazard statements, see 4.2, 7.3, 7.5, 11.2, and X1.7.2. Before using this standard, refer to supplier's safety labels, material safety data sheets, and technical literature.

2. Referenced Documents

2.1 ASTM Standards:²

D56 Test Method for Flash Point by Tag Closed Cup Tester

D93 Test Methods for Flash Point by Pensky-Martens Closed Cup Tester

D1193 Specification for Reagent Water

D1535 Practice for Specifying Color by the Munsell System

D2244 Practice for Calculation of Color Tolerances and

¹ This test method is under the jurisdiction of ASTM Committee D02 on Petroleum Products and Lubricants and is the direct responsibility of Subcommittee D02.J0.05 on Fuel Cleanliness.

Current edition approved June 1, 2012. Published October 2012. Originally approved in 1993. Last previous edition approved in 2008 as D5452-08. DOI: 10.1520/D5452-12.

This test method has been separated from D2276 and has been modified primarily to establish improved safety measures.

² For referenced ASTM standards, visit the ASTM website, www.astm.org, or contact ASTM Customer Service at service@astm.org. For *Annual Book of ASTM Standards* volume information, refer to the standard's Document Summary page on the ASTM website.

Color Differences from Instrumentally Measured Color Coordinates

D2276 Test Method for Particulate Contaminant in Aviation Fuel by Line Sampling

D3828 Test Methods for Flash Point by Small Scale Closed Cup Tester

D4306 Practice for Aviation Fuel Sample Containers for Tests Affected by Trace Contamination

D4865 Guide for Generation and Dissipation of Static Electricity in Petroleum Fuel Systems

D6615 Specification for Jet B Wide-Cut Aviation Turbine Fuel

3. Terminology

3.1 Definitions:

3.1.1 *bond, v*—to connect two parts of a system electrically by means of a bonding wire to eliminate voltage differences.

3.1.2 *ground, vt*—to connect electrically with ground (earth).

3.1.3 *membrane filter, n*—a porous article of closely controlled pore size through which a liquid is passed to separate matter in suspension.

3.1.3.1 *Discussion*—Research Report RR:D02-1012³ contains information on membrane filters that meet the requirements therein.

3.1.4 *particulate, adj*—of or relating to minute separate particles.

3.1.4.1 *Discussion*—Solids generally composed of oxides, silicates, and fuel insoluble salts.

3.1.5 *volatile fuels*—relatively wide boiling range volatile distillate.

³ Supporting data (including a list of suppliers who have provided data indicating their membranes, field monitors, and field monitor castings) have been filed at ASTM International Headquarters and may be obtained by requesting Research Report RR:D02-1012.

*A Summary of Changes section appears at the end of this standard

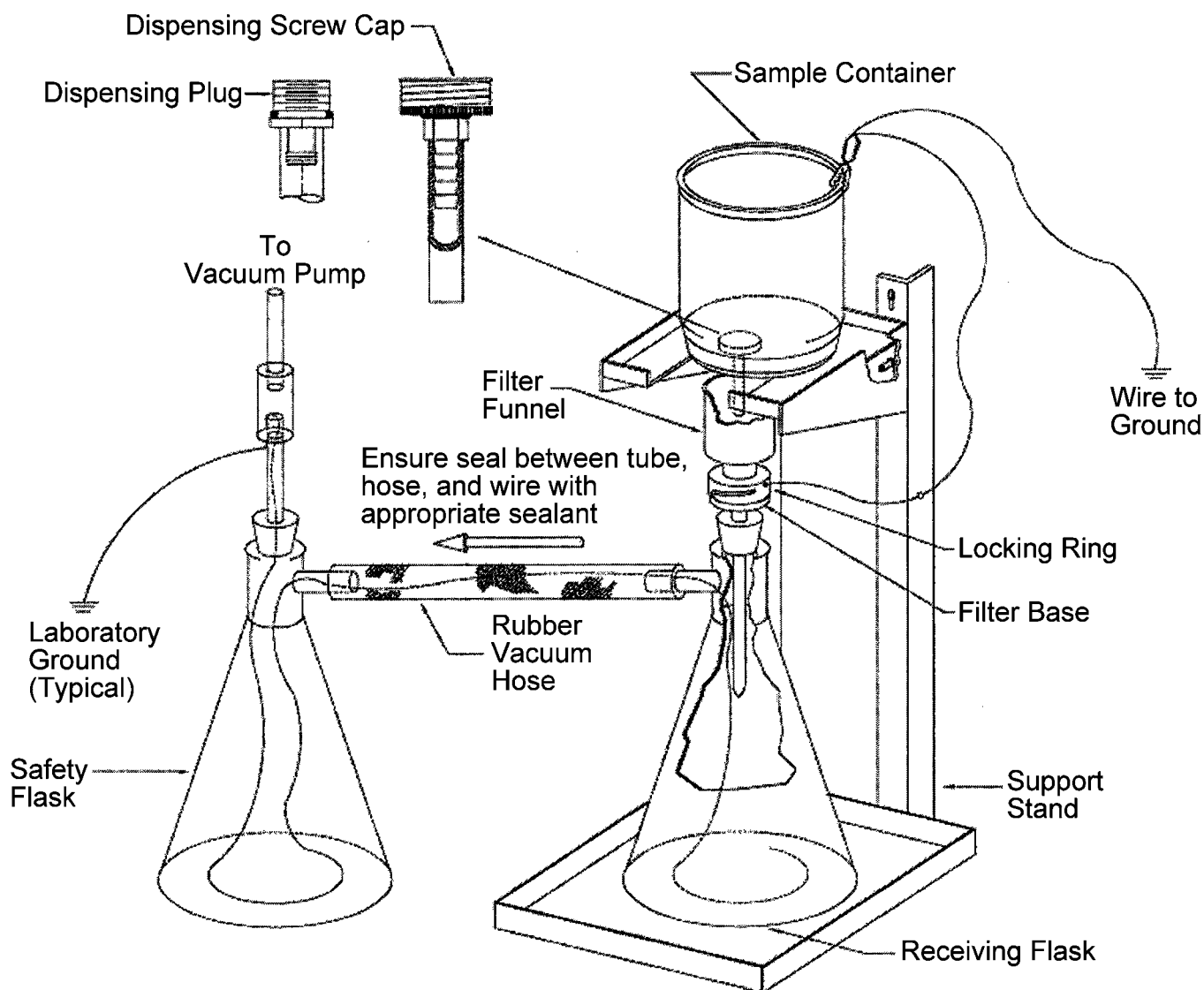


FIG. 1 Apparatus for Determining Total Contaminant

3.1.5.1 *Discussion*—These are identified as Jet B in Specification [D6615](#) or the military grade known as JP-4. Any fuel or mixture having a flash point less than 38°C is considered to be volatile.

4. Summary of Test Method

4.1 A known volume of fuel is filtered through a pre-weighed test membrane filter and the increase in membrane filter mass is weight determined after washing and drying. The change in weight of a control membrane located immediately below the test membrane filter is also determined. The objective of using a control membrane is to assess whether the fuel itself influences the weight of a membrane. The particulate contaminant is determined from the increase in mass of the test membrane relative to the control membrane filter.

4.2 In order to ensure safety in handling, the test method requires that volatile fuels be transferred from the sample container to the funnel without pouring using a support stand shown in [Fig. 1](#). Fuels having a verified flash point greater than

38°C (refer to Test Method [D56](#) or Test Methods [D93](#) or [D3828](#)) may be transferred by pouring the sample from the sample container directly into the funnel. Bonding of a metallic sample container to the funnel is required. (**Warning**—Volatile fuels such as JP-4 and Jet B or mixtures having flash points below 38°C have been ignited by electrostatic discharges when poured through membrane filters.)

4.3 [Appendix X2](#) describes safety precautions to avoid static discharge in filtering fuel through membranes.

5. Significance and Use

5.1 This test method provides a gravimetric measurement of the particulate matter present in a sample of aviation turbine fuel delivered to a laboratory for evaluation. The objective is to minimize these contaminants to avoid filter plugging and other operational problems. Although tolerable levels of particulate contaminants have not yet been established for all points in fuel distribution systems, the total contaminant measurement is normally of most interest.

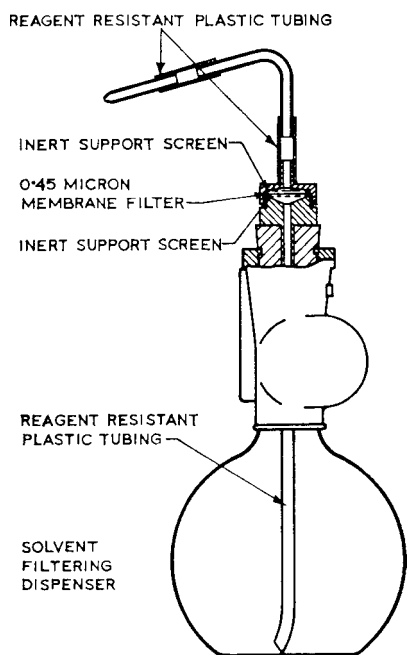


FIG. 2 Apparatus for Filtering and Dispensing Flushing Fluid

6. Apparatus

6.1 *Analytical Balance*, single- or double-pan, the precision standard deviation of which must be 0.07 mg or better.

6.2 *Oven*, of the static type (without fan-assisted air circulation), controlling to $90 \pm 5^\circ\text{C}$.

6.3 *Petri Dishes*, approximately 125 mm in diameter with removable glass supports for membrane filters.

6.4 *Forceps*, flat-bladed with unserrated, non-pointed tips.

6.5 *Vacuum System*.

6.6 *Test Membrane Filters*,^{3,4} plain, 47-mm diameter, nominal pore size 0.8 μm (see Note 1).

6.7 *Control Membrane Filters*,^{3,4} 47-mm diameter, nominal pore size 0.8 μm . (Gridded control membrane filters may be used for purpose of identification.)

NOTE 1—Matched weight membrane filters,⁴ 47-mm diameter, nominal pore size 0.8 μm , may be used as test and control membrane filters if so desired. Use of matched-weight membrane filters precludes the necessity for carrying out subsequently the procedures detailed in Section 10.

6.8 *Dispenser for Filtered Flushing Fluid*, 0.45- μm membrane filters to be provided in the delivery line (see Fig. 2). Alternatively, flushing fluid that has been pre-filtered through a 0.45 μm membrane before delivery to the dispenser flask is acceptable.

⁴ All available membrane filters are not suitable for this application. Apparatus considered for this application shall be checked by the user for suitability in accordance with the requirements of RR:D02-1012, 1994 revision.

6.9 *Air Ionizer*, for the balance case. See Note 2 and Note 3.

NOTE 2—When using a solid-pan balance, the air ionizer may be omitted provided that, when weighing a membrane filter, it is placed on the pan so that no part protrudes over the edge of the pan.

NOTE 3—Air ionizers should be replaced within 1 year of manufacture.

6.10 *Filtration Apparatus*, of the type shown in Fig. 1. It consists of a filter funnel and a funnel base with a filter support such that a membrane filter can be gripped between the sealing surface and the base by means of a locking ring. Use a metal funnel with at least a 70-mm diameter at the top.

6.11 *Support Stand*, (required when the sample flash point is lower than 38°C) as shown in Fig. X3.1, having adjustable height, integral spill collection pan at the base, and an edge on the can shelf to prevent the can from slipping off. The shelf is slotted. Refer to Fig. X3.1 for fabrication details.

6.12 *Dispensing Cap or Plug*, (required when the sample flash point is lower than 38°C) with approximately 9.5-mm inside diameter hose barb 32-mm long on which a 75 to 100-mm long piece of fuel resistant, flexible, plastic tubing is installed (see Fig. 1). The plug is for sample containers having $\frac{3}{4}$ in. (19 mm) female pipe threads while the cap is for containers having 1.75 in. (44 mm) diameter sheet metal threads. Dispensing spouts for other containers must be fabricated. The closure gasket shall be made of a fuel resistant material. A paper composition material is not acceptable.

6.13 *Sample Container*, should be a 3.8 to 5-L (1-gal) epoxy lined sample can, preferably the same container in which the sample was collected and should conform to the criteria set forth in Practice D4306. When samples are collected in a smaller container than recommended here, select a container that does not trap particles when the contents are poured out.

6.14 *Receiving Flask*, shall be glass or metal. A graduated glass flask is preferred so that the space remaining for fuel can be observed. The filtration apparatus is fitted to the top of the flask. The flask shall be fitted with a side arm to connect the vacuum system. The flask should be large enough to contain the sample and flushing fluids.

6.15 *Safety Flask*, shall be glass containing a sidearm attached to the receiving flask with a fuel and solvent resistant rubber hose and shall be connected to the vacuum system.

6.16 *Ground/Bond Wire*, #10–#19 (0.912–2.59 mm) bare stranded flexible, stainless steel or copper installed in the flasks and grounded as shown in Fig. 1. If a metallic flask(s) is used instead of glass, the flask(s) must be grounded.

6.17 *Plastic Film*, polyethylene or any other clear film not adversely affected by flushing fluids. Refer to Appendix X4.

6.18 *Multimeter/VOM*, used for determining whether electrical continuity is 10 ohms or less between 2 points.

7. Reagents

7.1 *Purity of Reagents*—Reagent grade chemicals shall be used in all tests. Unless otherwise indicated, it is intended that all reagents shall conform to the specifications of the Committee on Analytical Reagents of the American Chemical Society, where such specifications are available.⁵ Other grades may be used, provided it is first ascertained that the reagent is of sufficiently high purity to permit its use without lessening the accuracy of the determination.

7.2 *Purity of Water*—Unless otherwise indicated references to water shall be understood to mean reagent water as defined by Type III of Specification **D1193**.

7.3 *Isopropyl Alcohol*, (**Warning**—Flammable.)

7.4 *Liquid Detergent*, water-soluble.

7.5 *Flushing Fluids*—Petroleum spirit (also known as petroleum ether or IP Petroleum Spirit 40/60), having boiling range from 35 to 60°C. (**Warning**—Extremely flammable. Harmful if inhaled. Vapors are easily ignited by electrostatic discharges, causing flash fire. See **Appendix X2**.)

7.6 *Filtered Flushing Fluids*—Filtered fluids are fluids filtered through a nominal 0.45- μm membrane filter. Filtered flushing fluids are most conveniently obtained by means of the dispenser described in **Fig. 2**.

8. Sampling

8.1 All containers and their closures shall be thoroughly cleaned in accordance with Practice **D4306**.

8.2 To obtain a representative sample from a fuel stream and to avoid external contamination, the sample may be drawn from the flushing fitting of a field sampling kit (see Test Method **D2276**). Ensure that the line is first flushed with the fuel to be sampled and that the line is externally clean.

8.3 Whether or not a sampling kit is available, suitable precautions shall be taken to avoid sample contamination by the use of a suitable sampling point in accordance with Test Method **D2276**. If the quick-disconnect sampling connection is not used, a stainless steel ball or plug type valve should be selected as its internal design avoids the possibility of trapping or generating solid contaminant. Samples that are collected for general laboratory or chemical analysis are not necessarily suitable for this test method because insufficient care may have been taken to avoid particulate contamination.

8.4 Where possible a 3.8 to 5-L (1-gal) fuel sample should be taken, preferably in the same container that will be used in the test to avoid the need to transfer from one container to another with increased possibility of contamination. Ideally, a sample to be tested should be collected in a single container and transferred to the laboratory for testing. If the sample is collected in small containers such as glass bottles and then

shipped to the laboratory, the collection containers shall be handled in a way to flush particulates into the transport container which should be UN/ICAO approved for public transport. Results obtained by taking other sample volumes can have different precisions.

8.5 The sample volume shall be quoted with the results. If the sample was transferred from one container to another before the test was performed, this shall also be noted with the test results.

9. Preparation of Apparatus and Sample Containers

9.1 Clean all components of the filtration apparatus, including the funnels, filter base, forceps, petri dishes, dispensing cap or plug and tubing (from **6.12**) as described in **9.1.2-9.1.6**.

9.1.1 Remove any labels, tags, and so forth.

9.1.2 Wash with warm tap water containing detergent.

9.1.3 Rinse thoroughly with warm tap water.

9.1.4 Rinse thoroughly with reagent water. Container caps should be handled only externally with clean laboratory crucible tongs during this and subsequent washing.

9.1.5 Rinse thoroughly with filtered isopropyl alcohol.

9.1.6 Rinse thoroughly with filtered flushing fluid.

9.1.7 For special cleanliness procedures in facilities that can have airborne dust, see **Appendix X4**.

10. Preparation of Test and Control Membrane Filters

10.1 Two 47-mm membrane filters of nominal pore size 0.8- μm are required: a test and a control membrane filter. Matched-weight membrane filters may be used if so desired (see **Note 1**). If matched-weight membrane filters are used, it is unnecessary to carry out the procedures detailed in this section because they had been carried out previously by the membrane filter supplier. The two membrane filters used for each individual test should be identified by marking the petri dishes used as containers. Clean glassware used in preparation of membrane filters must be cleaned as described in **9.1**. Refer to **Appendix X4**.

10.1.1 Using forceps, place the test and control membrane filters side by side in a clean petri dish. To facilitate handling, the membrane filters should rest on clean glass support rods in the petri dish.

10.1.2 Place the petri dish with its lid slightly ajar, in an oven at $90 \pm 5^\circ\text{C}$ and leave it for 30 min.

10.1.3 Remove the petri dish from the oven and place it near the balance. The petri dish cover should be ajar but still protecting the membrane filters from contamination from the atmosphere. Allow 30 min for the membrane filters to come to equilibrium with the ambient air temperature and humidity.

10.1.4 Remove the control membrane filter from the petri dish with forceps, handling by the edge only, and place it centrally on the weighing pan. Weigh it and return it to the petri dish.

10.1.5 Repeat **10.1.4** for the test membrane filter. Record the membrane filter masses.

11. Procedure

11.1 *Prepare the Filter Funnel and Filter Base Assembly*—Using clean forceps, place the two test membrane filters

⁵ *Reagent Chemicals, American Chemical Society Specifications*, American Chemical Society, Washington, DC. For suggestions on the testing of reagents not listed by the American Chemical Society, see *Analar Standards for Laboratory Chemicals*, BDH Ltd., Poole, Dorset, U.K., and the *United States Pharmacopeia and National Formulary*, U.S. Pharmacopeial Convention, Inc. (USPC), Rockville, MD.

centrally on the membrane filter support ring of the filtration apparatus (see Fig. 1) with the test membrane on top of the control membrane. Install the filter funnel. If using matched weight membranes, either one can be on top. With the membrane filter in place, perform a continuity test using a multimeter between the filter funnel and the filter holder. The meter shall read 10 Ω or less.

11.2 Prepare the Sample Container for the Filtration Test:

11.2.1 Thoroughly clean the outside of the sample container in the region of the closure by washing with detergent in water and rinsing with tap water and filtered isopropyl alcohol. Remove all labels from the container top. Shake the container vigorously for about ½ min to flush particles from internal surfaces of the installed plug or cap into the fuel in the container. Remove the closure. If it is a cap, remove any external contaminant that may be present in the threads on the sample container by washing with filtered flushing fluid, ensuring that none of the washings enter the container.

NOTE 4—If the closure is a plug, preserve it in a clean petri dish for flushing at 11.2.5 or at 11.4.9. If it is a cap, it will not be flushed at 11.4.9, because its internal threads can be contaminated with external dirt.

11.2.2 If it has been determined that the fuel sample has a verified flash point greater than 38°C and that the sample is therefore to be poured into the filter funnel rather than to use the support stand, connect the receiving flask and safety flask with hose and connect the grounding cable assembly as shown in Fig. 1. Place the pre-assembled filter funnel and filter base assembly on the receiving flask. This filtration procedure will definitely result in electrostatic charges that shall be grounded for safety. Refer to Appendix X2.

11.2.3 Commence pouring the sample into the filter funnel and switch on the vacuum source. Move (swirl) the sample container about in order to carry particles into the funnel.

11.2.4 After the fuel has filtered completely, disconnect the vacuum, and record the volume of the filtered sample.

11.2.5 If the sample had been transferred from other containers, rinse them with four 50-mL quantities of filtered flushing fluid directly into the filter funnel. The external threads of the sample container plug may now be rinsed with 30 mL of filtered flushing fluid directly into the filter funnel. Then, proceed to 11.4.10.

11.3 If it was determined that the support stand should be used for filtering the fuel sample, prepare the apparatus.

NOTE 5—All of this apparatus should be mounted in an exhaust hood to minimize operator exposure to fumes.

11.3.1 Connect the receiving flask and safety flask with hose, and connect the grounding cable assembly as shown in Fig. 1. Place the pre-assembled filter funnel and filter base assembly on the receiving flask. Ensure the adjustable shelf is located approximately 25–50 mm above the top of the filter funnel. This filtration procedure will definitely result in electrostatic charges that must be grounded for safety. Refer to Appendix X2.

11.3.2 Secure a ground clip and wire to the container support and ground in series as shown in Fig. 1.

11.3.3 Screw the dispensing closure from 6.12 firmly on the sample container. Slip a length of plastic tubing mentioned in

6.12 snugly over the hose barb of the above (dispensing plug or cap). If the closure will not fit the original sample container, shake the original sample container briefly, and quickly transfer the sample, by use of a funnel, to another container that can be equipped with a dispensing cap or plug. Ensure that the new container has been rinsed as described in Section 9. Preserve at a clean location the now empty original container pending flushing at 11.4.8.

11.4 Transfer the Fuel in the Sample Container to the Filter Funnel:

11.4.1 The length of the tubing on the dispensing plug or cap should be sufficient such that when the sample container is resting on the shelf, the tubing will extend well into the filter funnel, approximately halfway down to where the cone transition is located.

NOTE 6—The reason for this is that the operator is instructed in this procedure to shake the sample container every minute. A short tube can accidentally come out of the funnel. If the outlet end of the tube is submerged in the fuel as little as 5 mm, flow into the filter funnel will stop to prevent overflow.

11.4.2 Fold down any container handle that is present, and double over or crimp the plastic tubing installed on the dispensing plug or cap. Grasp the container firmly and shake gently and carefully release vapor from the container by venting through the plastic tubing away from the face. Quickly crimp the tubing again and hold in place.

11.4.3 Carefully invert the container and position it over the shelf and filter funnel, releasing the tubing into the funnel just before resting it on the shelf.

11.4.4 As the filter funnel is filling, secure a grounding clip and wire to the container and electrically ground in series with all other grounds.

NOTE 7—A small clamp, pinchcock, or fingertip pressure may be used to assist in crimping the tubing.

11.4.5 When the fuel has ceased flowing into the funnel, switch on vacuum source, stand well clear, and allow the fuel to filter. Agitate the container every minute during filtration by grasping firmly on both sides of the container and lifting the can approximately 1 cm off of the base and briefly shake the container for approximately 5 s.

11.4.6 Move (swirl) the container about in order to drain any residual fuel into the funnel.

11.4.7 After fuel has filtered completely, disconnect the vacuum, and record the volume of the filtered sample.

11.4.8 If the sample had been transferred from another container, rinse the original container with four 50-mL quantities of filtered flushing fluid directly into the filter funnel using a separate funnel, if necessary, that has been cleaned as in Section 9. Rinse the test container with four 50-mL quantities of filtered flushing fluid. If a separate funnel was used, rinse it with 30 mL of filtered flushing fluid into the filter funnel.

NOTE 8—If the original containers or test containers are of a type such that they retain some of the fuel, record the volume of flushing fluid that was used to help in displacing particles and that fuel so that it can be deducted from the total volume in the receiving flask after the test and all flushing and rinsing operations have been completed. (See X2.7.6.1.)

11.4.9 Referring to **Note 4**, regarding closures, a plug from the original sample container should be rinsed using 30 mL of filtered flushing fluid directly into the filter funnel and onto the membrane filter. Do not rinse a cap internally or externally, and do not rinse the external surface of a plug.

11.4.10 Wash down the inside of the filter funnel with filtered flushing fluid. With the vacuum applied, carefully separate the funnel from the filter base by releasing the locking ring. To ensure that all test product has been flushed through the membrane filter, direct a gentle stream of filtered flushing fluid toward the middle, being careful not to shift position of any particles. This flushing action has the purpose of washing residual fuel through the membrane filters that are at the juncture of the funnel flange and the filter base. Maintain vacuum after the final washing only for the few seconds necessary to remove excess filtered flushing fluid from the membrane filter.

11.5 Using clean forceps, carefully remove the test and control membrane filters from the filter base, and place them on glass supports in a clean, covered petri dish. Dry and reweigh the membrane filters as described in **10.1.2-10.1.5**, taking great care not to disturb the contaminant on the surface of the test membrane filter.

12. Calculation and Report

12.1 Subtract the initial mass of the test membrane filter, W_1 , from the final mass, W_2 .

12.2 Subtract the initial mass of the control membrane filter, W_3 , from the final mass, W_4 .

12.3 Calculate total contaminant in milligrams per litre as follows:

$$\frac{(W_2 - W_1) - (W_4 - W_3)}{\text{Volume filtered, } L} \quad (1)$$

NOTE 9—If matched-weight membranes have been used for the test (see **Note 1**), then $W_1 = W_3$ and the corrected weight of contaminant in **12.3** becomes $W_2 - W_4$.

12.4 Report the particulate contamination to the nearest 0.01 mg/L, and also report the sample volume used in the test.

13. Precision and Bias

13.1 The precision of this test method as determined by interlaboratory results⁶ is as follows:

⁶ Supporting data have been filed at ASTM International Headquarters and may be obtained by requesting Research Report RR:D02-1384.

TABLE 1 Statistical Information for Particulate Contaminant

Average Results, mg/L	0.1	0.2	0.3	0.4	0.5	0.6
Repeatability	0.13	0.18	0.22	0.26	0.29	0.32
Reproducibility	0.23	0.32	0.40	0.46	0.52	0.56

13.1.1 *Repeatability*—The difference between successive results obtained by the same operator with the same apparatus under constant operating conditions on identical test material would, in the long run, in the normal and correct operation of the test method, exceed the following values in only one case in twenty:

Range	Repeatability
0 to 0.6 mg/L	$0.415x^{0.5}$

where:

x = the mean of the two results.

13.1.2 *Reproducibility*—The difference between two single and independent results obtained by different operators working in different laboratories on identical test material would, in the long run, exceed the following values in only one case in twenty:

Range	Reproducibility
0 to 0.6 mg/L	$0.726x^{0.5}$

where:

x = the mean of the two results.

13.1.3 Repeatability and reproducibility values for various values of x are given in **Table 1**.

13.2 *Bias*—The procedure given for the determination of particulate contamination in aviation turbine fuel by laboratory filtration has no bias since this property can be defined only in terms of a test method.

14. Keywords

14.1 aviation fuel; gravimetric contaminant; membrane color; membrane filter; particulate

**TABLE X1.1 ASTM Color Standards
(Munsell and CIELAB Notations)**

Rating Number	Scale A				Scale G				Scale B			
	Munsell	CIELAB			Munsell	CIELAB			Munsell	CIELAB		
		L*	a*	b*		L*	a*	b*		L*	a*	b*
0	N 9.6	98.99	0.00	-0.01	N 9.6/	98.99	0.00	-0.01	N 9.6	96.99	0.00	-0.01
1	25 YR 9.3/0.5	94.03	1.41	2.01	N 9.3/	94.03	0.00	-0.01	5Y 93/0.5	94.03	-0.69	4.21
2	25 YR 9/1	91.08	2.69	3.79	N 9/	91.08	0.00	-0.01	3.4 Y 9/1	91.08	-0.70	8.05
3	25 YR 8.5/2	86.21	5.27	7.43	N 8.5/	86.21	0.00	-0.01	1.7 Y 8.5/2	86.21	0.13	14.89
4	25 YR 8/3	81.35	8.90	12.37	N 8/	81.35	0.00	-0.01	10 YR 8/3	81.35	2.78	19.60
5	25 YR 7/4	71.60	12.41	16.88	N 7/	71.60	0.00	-0.01	10 YR 7/4	71.60	4.50	25.82
6	25 YR 6/3.4	61.70	11.07	14.37	N 6/	61.70	0.00	-0.01	10 YR 6/3.4	61.70	4.28	21.57
7	25 YR 5/2.8	51.57	9.60	11.66	N 5/	51.57	0.00	0.00	10 YR 5/2.8	51.57	4.09	17.64
8	25 YR 4/2.2	41.22	8.56	9.60	N 4/	41.22	0.00	0.00	10 YR 4/2.2	41.22	3.60	14.46
9	25 YR 3/1.5	30.77	6.85	6.84	N 3/	30.77	0.00	0.00	10 YR 3/1.6	30.77	2.88	9.68
10	25 YR 2.5/1	25.61	4.48	3.83	N 2.5/	25.61	0.00	0.00	10 YR 2.5/1	25.61	1.96	5.76

APPENDIXES

(Nonmandatory Information)

X1. FILTER MEMBRANE COLOR RATINGS OF AVIATION FUELS BY LABORATORY FILTRATION

X1.1 Scope

X1.1.1 This practice describes how to determine the filter membrane color rating of a sample of aviation fuel delivered to a laboratory. The filter membrane color rating may be used for the qualitative assessment of contaminant levels in the fuel or of changes in other visual characteristics.

X1.1.1.1 No quantitative relationship exists between gravimetric results obtained by Test Method D5452 and membrane color ratings obtained by this practice.

X1.1.1.2 This practice is not a substitute for gravimetric procedures to determine particulate contaminant.

X1.2 Summary of Practice

X1.2.1 A known volume of fuel is passed through a 0.8- μ m filter membrane. The color on the filter membrane is compared with the ASTM color standards and assigned a rating letter and number.

X1.3 Significance and Use

X1.3.1 The filter membrane color rating provides a simple means of detecting changes in the fuel. Changes in membrane color may be indicative of changes in fuel contaminant level, contaminant type, the fuel handling system, or refinery process conditions. Membranes may be rated in a dry or wet condition. The advantage of rating in a dry condition is that the membrane will not change color in the dry state. Differences between dry and wet may be as great as five numbers; therefore, comparison based on mixed wet and dry ratings should not be made. Only dry color ratings should be reported when color ratings are employed as a communications tool.

X1.3.2 The sample size must be reported with the color rating because smaller samples reduce the sensitivity and the color developed is not necessarily proportional to sample volume.

NOTE X1.1—Wet color ratings or smaller than recommended sample size, or both, may be of value to a trained observer familiar with local

conditions. When performing a gravimetric test simultaneously with a color rating test, it must be recognized that the recommended 3.8 to 5-L test volume for the gravimetric test is substantially less than the 10-L color rating test sample of field Test Method D2276. Research report RR:D02-1437⁷ shows that the volume throughput has an influence on membrane color. Therefore, color ratings based different sample sizes should be compared only with other test results that are obtained using the same volume of fuel. A 10-L sample improves sensitivity and when using dry color ratings, enables the detection of subtle changes that may precede a major problem.

X1.4 Apparatus

X1.4.1 The apparatus required to filter the aviation fuel through a membrane is described in Test Method D5452. If the color membrane only is required, without the gravimetric determination, then only a single, white plain unweighed 0.8- μ m membrane is required.

X1.5 Color Standards⁸

X1.5.1 The ASTM color standards consist of three stepwise-graded scales intended to bracket in hue the color ordinarily encountered on jet fuel filter membranes. There are two color strips and one gray strip, each divided into eleven steps and assigned rating numbers from 0 to 10. The Munsell system notations for the individual colors are listed in **Table X1.1**. The Munsell system notation values are those used historically for preparation of these color standards, and are the referee values; however, since many color rating facilities are equipped to use the CIELAB system, **Table X1.1** includes those notations. The color standards shall meet the requirements of RR:D02-1145.⁸

⁷ Supporting data have been filed at ASTM International Headquarters and may be obtained by requesting Research Report RR:D02-1437.

⁸ Supporting data (including an approved "Specification for Color Rating Booklet" incorporating the ASTM Color Standards) have been filed at ASTM International Headquarters and may be obtained by requesting Research Report RR:D02-1145. Booklets conforming to this specification are also available from Gammon Technical Products, Inc., 2300 Highway 34, Manasquan, NJ 08736.

NOTE X1.2—Test Method D2244 and Practice D1535 describe this test method of color designation.

X1.5.1.1 Charts in use should be checked periodically against a reference set of color standards to eliminate the possibility that sunlight or soiling due to handling may have appreciably changed the colors. The reference set is a set of color standards obtained new, stored in dry dark conditions, and used only for the purpose of checking the standards in day-to-day use.

X1.5.2 A production batch of color rating books shall be considered acceptable for continued use until any color chip in the 0 to 5 range of scales A, B, or G has changed in lightness (value) as much as one rating number as indicated by the value (lightness) of the next lighter or darker color. If it becomes as dark as the value notation of B2, which is 9, that production lot of rating books would be invalid because a specimen that is as dark as B2 could be rated B1.

X1.5.2.1 If the colors are measured using an instrument having a CIELAB data readout, the CIELAB L* data are related to the Munsell value notation in Table X1.1. Thus, in the example above, B1 has an L* of 98.99 and B2 has an L* of 94.03. If the color designated B1 measures to an L* of 94.03 or less, that lot of books would be invalid.

X1.5.2.2 The series of complete color specifications in Table X1.1 and represented visually by the three color scales represents a sampling of the color space of all specimens that can result from this test method, as determined by the original research. Thus, as the colors of membranes become darker, they also become more saturated, due to increased deposit of contaminant on the filter membranes. The path of color change due to aging of the color scales is necessarily different.

X1.5.3 It shall be the responsibility of the supplier of color rating books to notify ASTM when any production lot has reached an invalid status based on the above parameters. Color rating books dated 1981 and earlier exceed these limits and are invalid.

X1.6 Filtration Procedure

X1.6.1 The procedure required for filtering the aviation fuel through a membrane is described in Test Method D5452. The color rating may be determined in the same membrane being used for determining gravimetric weight. In cases where the

gravimetric weight is not required, then the steps related to determining the differences in weight of the membrane may be excluded.

X1.7 Color Rating Procedure

X1.7.1 To rate the membrane dry, proceed as follows: Using forceps, place the membrane in a clean petri dish. To facilitate handling, the membrane filters should rest on clean glass support rods in the petri dish. Place the petri dish with its lid slightly ajar, in an oven at $90 \pm 5^\circ\text{C}$ and leave it for 30 min.

X1.7.2 An alternative drying procedure is as follows: Remove the membrane from the monitor with forceps. Dry the membrane by placing it carefully on an absorbent paper on a low-level heat source free of ignition sources for flammable vapors, or by air drying (typically, 3 h) in a dust-free location. Dryness can be estimated by comparing the white color of the outer edge of the test membrane with a new membrane. (**Warning**—Exercise caution in locating the drying membrane away from ignition sources of the drying fuel.)

X1.7.3 To rate the membrane wet, proceed as follows: Using forceps, place the membrane in a clean petri dish. To facilitate handling, the membrane filters should rest on clean glass support rods in the petri dish. Immediately compare the membrane with the color standards.

X1.7.4 In a location shielded from direct sunlight, compare the surface of the membrane with the ASTM color standards. Select the color or gray strip that most closely matches the sample.

X1.7.5 In matching, be careful that the viewing angle is nearly perpendicular, and that shadows are not cast unevenly on the surfaces being compared.

X1.8 Report

X1.8.1 Report the nearest match number by scale letter and rating number. If the sample is distinctly between two rating numbers, report the lower number.

X1.8.2 If the membrane color does not conform to any of the standard color scales, establish the color density to the nearest rating number and report the color.

X1.8.3 Report the sample volume used.

X1.8.4 Report whether the membrane was rated wet or dry.

X2. SAFETY PRECAUTIONS TO AVOID STATIC DISCHARGE

X2.1 In Guide **D4865** it is noted that micro-filters are prolific generators of electrostatic charge. This is particularly true in the case of membrane filters used in this procedure.

X2.1.1 The flow of fuel through the membrane in performing this type of test causes charges to separate due to the presence of ionic impurities or additives in fuel. Charges of one polarity are carried with moving fuel while the opposite charges accumulate within the membrane and its holder. These surface charges seek a path to ground.

X2.2 The rate at which these charges recombine depends upon the conductivity of the fuel. Relaxation time could be of the order of 10–100 s with low conductivity fuel. In membrane filtration, very little time is available for charge recombination due to high velocities through the membrane. As a consequence even high conductivity fuels may cause charges to accumulate in the membrane holder and receiver and develop significant voltage differences between fuel and apparatus. Using a glass receiving flask and placing a grounding wire in the receiver will minimize the development of voltage in the fuel.

X2.3 Although grounding the apparatus will not prevent charge separation or accumulation of charges in fuel, it is necessary to bond all parts of the filtration apparatus together and provide a grounding wire. It is essential that no unbonded metal components are present during filtration since they concentrate charge and develop voltage sufficient to cause static discharge within the apparatus.

X2.4 To verify that bonding of all parts of the filtration apparatus is complete the method requires that an electrical continuity test be conducted using a multimeter. There must be 10 ohms or less resistance between any two points.

X2.5 Shaking fuel in the sampling can or bottle and pouring fuel into the funnel are also sources of charge generation. The

charge separated on can or bottle surface will bleed to ground unless the operator shaking the can is insulated because of rubber shoes. Operators should wear a grounded wrist strap to ensure that charges will be grounded.

X2.6 Feeding the fuel into the funnel instead of pouring from the sample can ensures against the hazard of spills and allows time for relaxation of charges from shaking.

X2.7 Other measures that are desirable to minimize a chance for a static spark to occur during laboratory filtration are as follows:

X2.7.1 Operators should wear anti-static laboratory coats.

X2.7.2 An anti-static floor mat is desirable.

X2.7.3 An ionized air generator around the apparatus aids in charge dissipation.

X2.7.4 Protective clothing and equipment such as aprons and face shields should be worn when performing or witnessing tests.

X2.7.5 If a popping or cracking noise is heard or as static discharge is observed, testing should be discontinued immediately. Before restarting, the cause should be determined and the grounding wires rechecked to ensure that there is continuity.

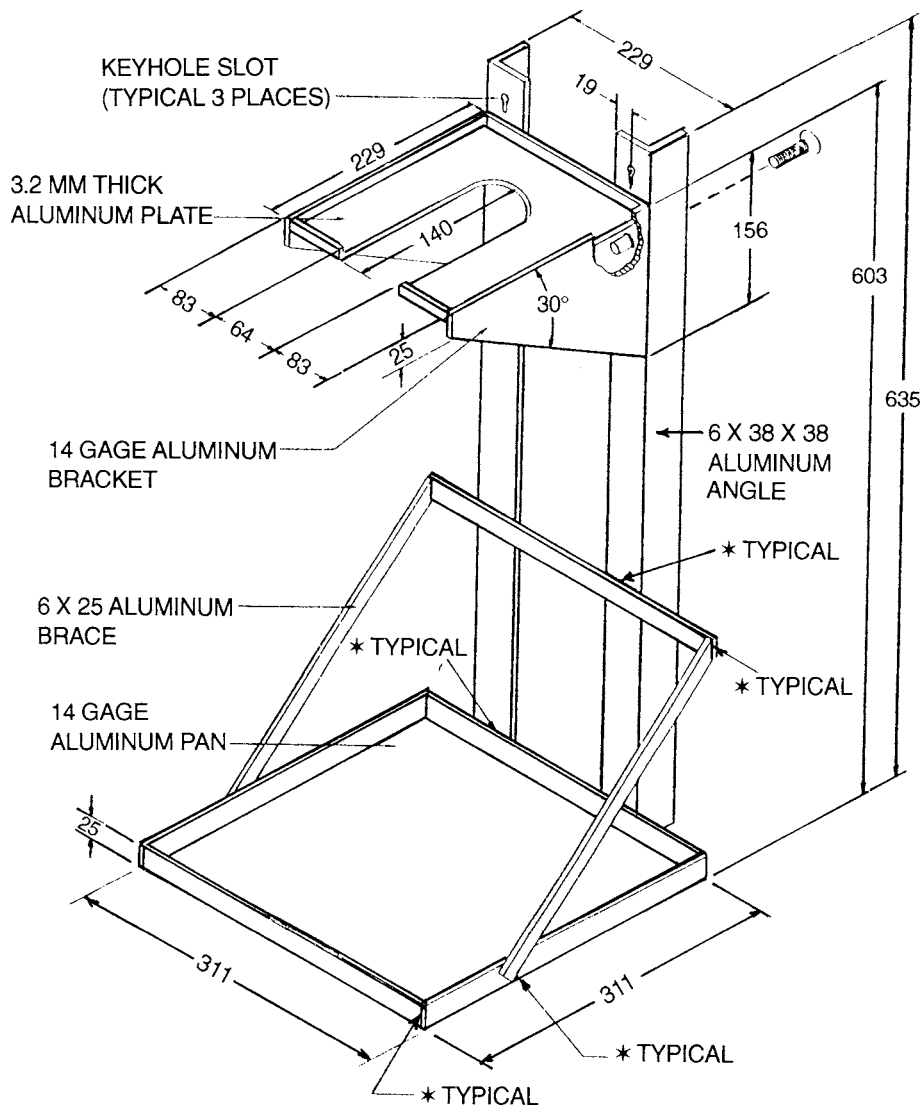
X2.7.6 More than 15 years of experience in using the coiled ground wire inside the glass receiving flask, as shown in **Fig. 1**, has never resulted in an explosion. However, some operators prefer to use a metal receiving flask, which of course will not be graduated. This choice will require the operator to take the following precautions:

X2.7.6.1 The volume of filtered flushing fluid used in **11.4.8-11.4.10** must be measured so that it can be deducted from the total volume in the receiving flask after the test and all flushing and rinsing operations have been completed.

X2.7.6.2 Ensure that the receiving flask is actually empty before the test is started.

X3. RECOMMENDED DESIGN FOR SUPPORT APPARATUS

X3.1 **Fig. X3.1** illustrates the recommended support apparatus.



NOTE 1—The asterisk indicates heli-arc weld location.

NOTE 2—All dimensions are in millimetres.

FIG. X3.1 Support Stand

X4. SPECIAL CLEANLINESS PROCEDURES FOR DUSTY FACILITIES

X4.1 It can be necessary to perform this test method in very remote areas and in a shed or building that is not normally used for laboratory work. The quantity of contaminant that is collected by this test method can be very small, so it is important to prevent the inclusion of foreign material from other sources (including airborne dust).

X4.2 If the atmosphere of the laboratory space is at all dusty or not considered to be “laboratory clean,” use clear plastic film such as polyethylene or other film not affected by flushing fluids to cover cleaned components and equipment.

X4.3 The specific items recommended to be protected by film are mentioned in the following paragraphs: Section 9, 10.1, 11.2, and 11.4.3.

SUMMARY OF CHANGES

Subcommittee D02.J0 has identified the location of selected changes to this standard since the last issue (D5452–08) that may impact the use of this standard.

(1) Revised **8.1**.

ASTM International takes no position respecting the validity of any patent rights asserted in connection with any item mentioned in this standard. Users of this standard are expressly advised that determination of the validity of any such patent rights, and the risk of infringement of such rights, are entirely their own responsibility.

This standard is subject to revision at any time by the responsible technical committee and must be reviewed every five years and if not revised, either reapproved or withdrawn. Your comments are invited either for revision of this standard or for additional standards and should be addressed to ASTM International Headquarters. Your comments will receive careful consideration at a meeting of the responsible technical committee, which you may attend. If you feel that your comments have not received a fair hearing you should make your views known to the ASTM Committee on Standards, at the address shown below.

This standard is copyrighted by ASTM International, 100 Barr Harbor Drive, PO Box C700, West Conshohocken, PA 19428-2959, United States. Individual reprints (single or multiple copies) of this standard may be obtained by contacting ASTM at the above address or at 610-832-9585 (phone), 610-832-9555 (fax), or service@astm.org (e-mail); or through the ASTM website (www.astm.org). Permission rights to photocopy the standard may also be secured from the ASTM website (www.astm.org/COPYRIGHT/).