



Designation: D5009 – 02 (Reapproved 2017)

Standard Test Method for Evaluating and Comparing Transfer Efficiency of Spray Applied Coatings Under Laboratory Conditions¹

This standard is issued under the fixed designation D5009; the number immediately following the designation indicates the year of original adoption or, in the case of revision, the year of last revision. A number in parentheses indicates the year of last reapproval. A superscript epsilon (ϵ) indicates an editorial change since the last revision or reapproval.

1. Scope

1.1 This test method covers the evaluation and comparison of the transfer efficiency of spray-applied coatings under controlled laboratory conditions.

1.2 This test method has been shown to yield excellent intralaboratory reproducibility. Interlaboratory precision is poorer and is highly dependent on closely controlled air flow in the spray booth, the rate at which the paint is delivered to the part, and other variables suggested in the test method.

1.3 Limitations:

1.3.1 This laboratory procedure only indicates the direction of the effect of spray variables on transfer efficiency. The magnitude of the effect is determined only by specific plant experience.

NOTE 1—This laboratory procedure requires specific equipment and procedures. For those laboratories that do not have access to the type of equipment required a more general laboratory procedure is being prepared as Procedure B.

1.4 The values stated in SI units are to be regarded as the standard. The values given in parentheses are for information only.

1.5 *This standard does not purport to address all of the safety concerns, if any, associated with its use. It is the responsibility of the user of this standard to establish appropriate safety and health practices and determine the applicability of regulatory limitations prior to use.* For specific hazard statements, see Section 7 and 8.11.9 and 8.13.2.

1.6 *This international standard was developed in accordance with internationally recognized principles on standardization established in the Decision on Principles for the Development of International Standards, Guides and Recommendations issued by the World Trade Organization Technical Barriers to Trade (TBT) Committee.*

¹ This test method is under the jurisdiction of ASTM Committee D01 on Paint and Related Coatings, Materials, and Applications and is the direct responsibility of Subcommittee D01.55 on Factory Applied Coatings on Preformed Products.

Current edition approved June 1, 2017. Published June 2017. Originally approved in 1996. Last previous edition approved in 2011 as D5009 – 02 (2011). DOI: 10.1520/D5009-02R17.

2. Referenced Documents

2.1 ASTM Standards:²

D1200 Test Method for Viscosity by Ford Viscosity Cup

D2369 Test Method for Volatile Content of Coatings

D3925 Practice for Sampling Liquid Paints and Related Pigmented Coatings

2.2 National Fire Protection Association Documents³

NFPA 33 Spray Application Using Flammable and Combustible Materials

NFPA 86 Standard for Ovens and Furnaces

3. Terminology

3.1 Definitions of Terms Specific to This Standard:

3.1.1 *conveyor speed, n*—the speed of the conveyor in centimeters per minute during the test.

3.1.2 *fluid mass flow rate, n*—the mass flow rate of paint in grams per minute during the test.

3.1.3 *mass of foil, n*—the weight of each target foil in grams before being painted.

3.1.4 *mass of foil plus paint solids, n*—the weight of each target foil in grams after being painted and baked.

3.1.5 *mass of paint solids, n*—the difference in the mass of the foils before painting and the mass of the foils after painting and baking. This is the sum of the mass of the foil plus paint solids less the sum of the mass of the foil.

3.1.6 *transfer efficiency, n*—the ratio of the mass of the paint solids deposited on the foil to the mass of the paint solids sprayed during the test expressed as a percent.

3.1.7 *weight percent solids, n*—the solids content in percent of the total weight of a sample of the paint used during the test.

4. Summary of Test Method

4.1 Metal panels covered with preweighed aluminum foil are conveyed in a spraybooth past a fixed spraygun. The coated

² For referenced ASTM standards, visit the ASTM website, www.astm.org, or contact ASTM Customer Service at service@astm.org. For *Annual Book of ASTM Standards* volume information, refer to the standard's Document Summary page on the ASTM website.

³ Available from National Fire Protection Association (NFPA), 1 Batterymarch Park, Quincy, MA 02169-7471, <http://www.nfpa.org>.

foils are then baked to remove volatile matter. The transfer efficiency is calculated on a weight basis using the solids content and quantity of the paint sprayed and the amount of solids on the coated aluminum foil target.

5. Significance and Use

5.1 Subject to the limitations listed above, the procedure can be used as a research tool to optimize spray equipment and paint formulations as well as to study the relative effect on transfer efficiency of changing operating variables, spray application equipment, and types of coatings.

6. Apparatus

6.1 *Laboratory Scale*, accurate to ± 0.001 g for weight percent solids determination.

6.2 *Platform Scale*, accurate, or equivalent, to ± 0.01 g for mass of foil, mass of foil plus paint, and mass flow rate instrumentation calibration.

6.3 *Mass Flow Rate Meter*, or mass flow rate determination method, accurate to ± 2 % of the mass flow rate to be used during the test.

6.4 *Conveyor Timer* or conveyor timing method, accurate to ± 1 % of the conveyor speed to be used during the test. The equipment may consist of photoelectric cells or limit switches used in conjunction with a digital timer or timing marks on the conveyor used in conjunction with a stopwatch. Take at least two readings with a stopwatch and average the readings.

6.5 *Targets*, consisting of a set of ten steel panels 15.2 cm (6 in.) wide by 0.15875 cm (0.0625 in.) with 0.635-cm (0.25-in.) radius corners. A minimum panel length of 121.9 cm (48 in.) should be used. The length of the panel should be set so that a minimum of 30.4 cm (12 in.) above and below the spray pattern is achieved.

6.5.1 It is essential to do this so that the entire height of the spray pattern is effectively captured.

6.6 *Aluminum Foil*, medium temper or equivalent, 1.5 mil (0.0037 cm) thick.

6.7 *Back-Draw Water Wash Spray Booth*, or equivalent. The booth should be a minimum of 1.8 m (6 ft) wide and capable of up to 0.61 m/s (120 ft/min) air velocity in the middle at the plane of the target. If a dry filter booth is used, filters should be changed as necessary to maintain uniform air velocity.

6.8 *Adjustable Rate Overhead Conveyor System*, capable of hanging targets as specified, and capable of up to 0.20 m/s (40 ft/min) or the maximum speed desired by the user.

6.9 *Forced Draft Curing Oven*, of sufficient size for curing targets, and capable of achieving and maintaining the cure temperatures specified by the paint supplier. All ovens should conform to NFPA 86.

6.10 *Curing Rack*.

6.11 *Stopwatch*.

6.12 *Air Velocity Measurement Equipment*.

6.13 *Humidity and Temperature Measurement Equipment*.

6.14 *Compressed Air Supply*.

7. Hazards

7.1 For specific hazard information and guidance, consult the supplier's Safety Data Sheet (SDS) for the materials used.

8. Procedure

8.1 Set up the spray apparatus paint supply and the mass flow measurement equipment in accordance with the manufacturer's instructions.

8.1.1 In accordance with Chapter 9-11 of NFPA 33, all electrically conductive objects in the spray area, except those objects required by the process to be at high voltage, shall be adequately grounded.

8.2 Agitate paint in a closed container at least 30 min before any paint samples are taken.

8.3 Using an airtight container take a paint grab sample from the paint pot in accordance with Practice D3925.

8.4 Determine and record the following from the paint sample:

8.4.1 Viscosity determined in accordance with Test Method D1200.

8.4.2 Weight percent solids determined in accordance with Test Method D2369. If the baking temperature in Test Method D2369 is inadequate, use the manufacturers recommended cure schedule.

8.4.3 Resistivity for the samples being applied electrostatically (An ASTM method is under development).

8.5 Set up the conveyor speed measuring equipment.

8.6 Cut the aluminum foil to dimensions of 38 cm (15 in.) by approximately 127 cm (50 in.) or 5 cm (2 in.) longer than the length of the target panel.

8.7 Consecutively number each precut foil strip before weighing using a permanent marking pen.

8.8 Weigh each test foil strip and record the uncoated weight and the foil number.

8.9 Attach the preweighed, labeled test foil to six targets using the technique shown in Fig. 1. Attach the unlabeled foil on four scavenger targets as shown in Fig. 1.

8.10 Mount the foil covered targets in consecutive order as shown in Fig. 2, with the foil seam on each target facing away from the spray gun.

8.10.1 If electrostatic equipment is being used the resistance shall be less than $1 \text{ by } 10^6 \Omega$ between the target and the earth ground in accordance with Chapter 9-8 of NFPA 33.

8.11 Adjust the following equipment operating parameters to the values desired for testing:

8.11.1 Paint fluid pressure (kilopascals) at spray gun.

8.11.2 Atomizing air pressure (kilopascals) at spray gun.

8.11.3 Rotating atomizer head speed (revolutions per minute) with and without paint fluid flow.

8.11.4 Operating voltage (kilovolts) if electrostatic equipment is used.

8.11.5 Ambient air temperature (degree Celsius).

8.11.6 Paint fluid temperature (degree Celsius).

8.11.7 Booth air velocity (feet per minute).

8.11.8 Relative humidity (percent).

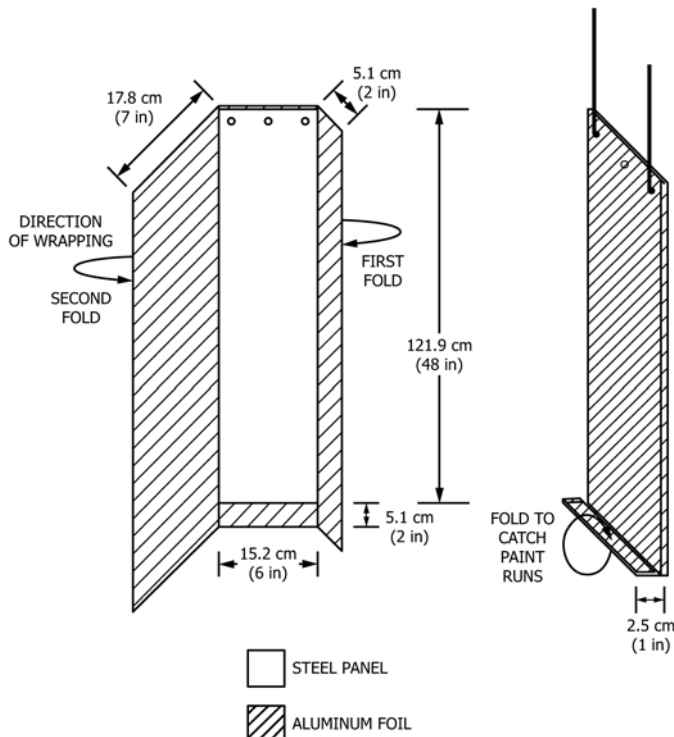


FIG. 1 Foil Attachment Technique

8.11.9 Spray gun to target distance (centimeters).
(Warning—If electrostatic equipment is being used, the gun-to-target distance shall be at least twice the sparking distance in accordance with Chapter 9-7 of NFPA 33.)

8.11.10 Conveyor speed (centimetres per second).

8.11.11 Fluid mass flow rate (grams per minute).

8.11.12 Set the cure time and temperature in accordance with the manufacturer’s instructions.

8.12 For electrostatic spray equipment, measure the operating voltage and adjust it according to the manufacturer’s instructions.

8.13 Turn on the spray booth and conveyor. At least 15 s before the first scavenger target passes in front of the gun, turn on the paint spray equipment. Maintain uniform paint flow during the test.

8.13.1 If mass flow measurement is used, begin the flow measurement at the leading edge of the first scavenger target and stop the mass flow measurement at the trailing edge of the last scavenger target.

8.13.2 If mass flow measurement equipment is not available use the following technique. Just before turning on the spray booth and the conveyor, spray the gun into a preweighed covered plastic container for a minimum of 30 s. **(Warning—**In addition to other precautions, turn off all high voltage to electrostatic spray guns to prevent personal injury.)

8.13.3 Immediately weigh the container with paint, calculate the flow rate, and record the result. Just after turning off the spray booth and conveyor, repeat this procedure. Average the two results to obtain the average flow rate for the test.

NOTE 2—A gallon plastic bottle with the top cut off to conveniently fit around the front of the gun is recommended to use with the above

procedure. A large plastic beaker covered with plastic wrap with a hole punched in the center of the plastic wrap works also.

Turn off all air sources to the spray gun before using the above procedure to prevent paint splattering out of the container.

8.14 Record the following data:

8.14.1 *Application Equipment:*

8.14.1.1 Paint fluid pressure (kilopascals) at the spray gun,

8.14.1.2 Atomizing air pressure (kilopascals) at the spray

gun,

8.14.1.3 Rotating atomizer head speed (revolutions per minute) with and without paint fluid flow, and

8.14.1.4 Operating voltage (kilovolts) if electrostatic equipment is used.

8.14.2 *Spray Booth and Conveyor:*

8.14.2.1 Ambient temperature (degrees Celsius),

8.14.2.2 Paint fluid temperature (degrees Celsius),

8.14.2.3 Booth air velocity (foot per minute),

8.14.2.4 Relative humidity (percent),

8.14.2.5 Spray gun to target distance (centimeters),

8.14.2.6 Conveyor speed (centimeters per minute), and

8.14.2.7 Fluid mass flow rate (grams per minute).

8.15 After the paint flow and the conveyor are stopped, remove the painted targets from the conveyor and ensure that no paint is lost. Measure the wet film thickness to ensure that the proper amount of paint has been applied and record the wet film thickness.

8.16 Securely hang the coated targets on oven racks so all painted surfaces are exposed for uniform drying. Insert the racks into the oven and bake at the recommended manufacturer’s cure schedule.

8.17 Remove the targets from the oven and let cool.

8.18 Remove the foil from each target, weigh and record the coated weight, the foil number, the percent vertical film coverage, and the dry film thickness at the center of the spray pattern.

8.19 The mass of the paint solids deposited is the difference in the total weight of the foils before painting and the total weight of the foils after painting and baking.

9. Calculation

9.1 Calculate the transfer efficiency using the following equation:

$$T = (100 \times C \times P) / (F \times S \times W)$$

where:

T = transfer efficiency, %

C = conveyor speed, cm/min,

P = mass of paint solids deposited, g,

F = fluid delivery rate, g/min,

S = weight percent solids expressed as a decimal, and

W = effective target width, 30.48 cm.

10. Report

10.1 Report the following information:

10.1.1 Transfer efficiency results,

10.1.2 Type of spray equipment,

10.1.3 Type of paint applied,

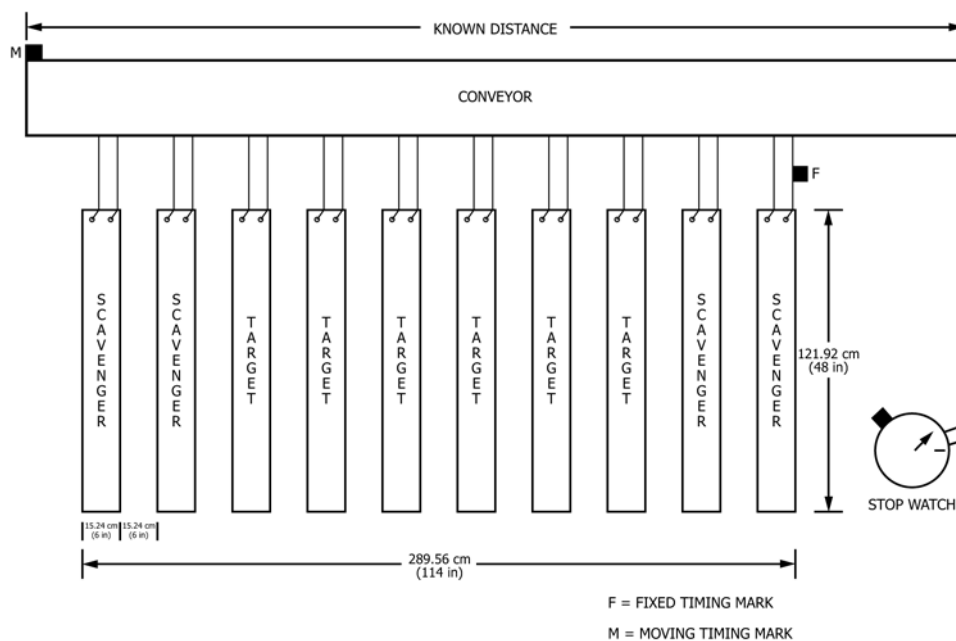


FIG. 2 Target Configuration for Transfer Efficiency Determination

10.1.4 Paint application conditions, and

10.1.5 Conditions of test other than those specified in the procedure section of this test method.

11. Precision and Bias

11.1 This test method is derived from a study and report of transfer efficiency measurements conducted for the U. S. Environmental Protection Agency.⁴ The procedure described was subjected to round-robin evaluation following ASTM guidelines. The procedure was used at eight laboratories and results were obtained using conventional airless, electrostatic air spray, and conventional air spray equipment. Statistical treatment of the results for the test sites and spray equipment type (gun) yields the following transfer efficiency results:

Type of Gun	Variance	Standard Deviation
<i>Conventional airless:</i>		
Within laboratory	1.22	1.10
Between laboratory	26.41	...
Gun	6.22	...
Total	33.85	5.82
<i>Electrostatic Air Spray:</i>		
Within laboratory	3.63	1.91
Between laboratory	72.02	...
Gun	13.01	...
Total	88.66	9.42
<i>Conventional Air Spray:</i>		
Within laboratory	2.30	1.50
Between laboratory	42.90	...
Gun	0.88	...
Total	46.08	6.79

11.2 No information can be presented on the bias of the procedure in Test Method D5009 for measuring transfer efficiency because no acceptable reference standard is available.

12. Keywords

12.1 laboratory method; spray applied coatings; transfer efficiency

⁴ Development of Proposed Standard Test Method for Spray Painting Transfer Efficiency, Vols I and II, EPA Publication Nos. EPA-600/2-88-026a and EPA-600/2-88-026b, Environmental Protection Agency, Research Triangle Park, NC.

ASTM International takes no position respecting the validity of any patent rights asserted in connection with any item mentioned in this standard. Users of this standard are expressly advised that determination of the validity of any such patent rights, and the risk of infringement of such rights, are entirely their own responsibility.

This standard is subject to revision at any time by the responsible technical committee and must be reviewed every five years and if not revised, either reapproved or withdrawn. Your comments are invited either for revision of this standard or for additional standards and should be addressed to ASTM International Headquarters. Your comments will receive careful consideration at a meeting of the responsible technical committee, which you may attend. If you feel that your comments have not received a fair hearing you should make your views known to the ASTM Committee on Standards, at the address shown below.

This standard is copyrighted by ASTM International, 100 Barr Harbor Drive, PO Box C700, West Conshohocken, PA 19428-2959, United States. Individual reprints (single or multiple copies) of this standard may be obtained by contacting ASTM at the above address or at 610-832-9585 (phone), 610-832-9555 (fax), or service@astm.org (e-mail); or through the ASTM website (www.astm.org). Permission rights to photocopy the standard may also be secured from the Copyright Clearance Center, 222 Rosewood Drive, Danvers, MA 01923, Tel: (978) 646-2600; http://www.copyright.com/