



Standard Specification for Contact-Molded Glass-Fiber-Reinforced Thermoset Resin Corrosion-Resistant Tanks¹

This standard is issued under the fixed designation D4097; the number immediately following the designation indicates the year of original adoption or, in the case of revision, the year of last revision. A number in parentheses indicates the year of last reapproval. A superscript epsilon (ϵ) indicates an editorial change since the last revision or reapproval.

This standard has been approved for use by agencies of the U.S. Department of Defense.

1. Scope

1.1 This specification covers cylindrical tanks fabricated by contact molding for above-ground vertical installation, to contain aggressive chemicals at essentially atmospheric pressure, and made of a commercial-grade polyester or vinyl ester, resin. Included are requirements for materials, properties, design, construction, dimensions, tolerances, workmanship, and appearance.

1.2 This specification does not cover the design of vessels intended for pressure above hydrostatic, vacuum conditions, except as classified herein, or vessels intended for use with liquids heated above their flash points.

1.3 The values stated in inch-pound units are to be regarded as standard. The values given in parentheses are provided for information purposes only.

NOTE 1—Special design consideration should be given to vessels subject to superimposed mechanical forces, such as earthquakes, wind load, or agitation, to vessels subject to service temperature in excess of 180°F (82°C), and to vessels with unsupported bottoms.

NOTE 2—There is no known ISO equivalent to this standard.

1.4 The following safety hazards caveat pertains only to the test method portion, Section 11, of this specification: *This standard does not purport to address all of the safety concerns, if any, associated with its use. It is the responsibility of the user of this standard to establish appropriate safety and health practices and determine the applicability of regulatory limitations prior to use.*

2. Referenced Documents

2.1 ASTM Standards:²

¹ This specification is under the jurisdiction of ASTM Committee D20 on Plastics and is the direct responsibility of Subcommittee D20.23 on Reinforced Plastic Piping Systems and Chemical Equipment.

Current edition approved Jan. 1, 2010. Published January 2010. Originally approved in 1982. Last previous edition approved in 2001 as D4097 - 01. DOI: 10.1520/D4097-01R10.

² For referenced ASTM standards, visit the ASTM website, www.astm.org, or contact ASTM Customer Service at service@astm.org. For *Annual Book of ASTM Standards* volume information, refer to the standard's Document Summary page on the ASTM website.

C581 Practice for Determining Chemical Resistance of Thermosetting Resins Used in Glass-Fiber-Reinforced Structures Intended for Liquid Service

C582 Specification for Contact-Molded Reinforced Thermosetting Plastic (RTP) Laminates for Corrosion-Resistant Equipment

D618 Practice for Conditioning Plastics for Testing

D638 Test Method for Tensile Properties of Plastics

D790 Test Methods for Flexural Properties of Unreinforced and Reinforced Plastics and Electrical Insulating Materials

D883 Terminology Relating to Plastics

D2150 Specification for Woven Roving Glass Fabric for Polyester-Glass Laminates (Withdrawn 1987)³

D2583 Test Method for Indentation Hardness of Rigid Plastics by Means of a Barcol Impressor

D2584 Test Method for Ignition Loss of Cured Reinforced Resins

D2996 Specification for Filament-Wound "Fiberglass" (Glass-Fiber-Reinforced Thermosetting-Resin) Pipe

D2997 Specification for Centrifugally Cast "Fiberglass" (Glass-Fiber-Reinforced Thermosetting-Resin) Pipe

D3892 Practice for Packaging/Packing of Plastics

D4024 Specification for Machine Made "Fiberglass" (Glass-Fiber-Reinforced Thermosetting Resin) Flanges

D5421 Specification for Contact Molded "Fiberglass" (Glass-Fiber-Reinforced Thermosetting Resin) Flanges

F412 Terminology Relating to Plastic Piping Systems

2.2 ANSI Standards:

B 16.1 Cast Iron Pipe Flanges and Flanged Fittings, Class 25, 125, 250, and 800⁴

B 16.5 Steel Pipe Flanges, Flanged Valves and Fittings⁴

3. Terminology

3.1 *Definitions*—Definitions are in accordance with Terminologies D883 and F412, unless otherwise indicated.

³ The last approved version of this historical standard is referenced on www.astm.org.

⁴ Available from American National Standards Institute (ANSI), 25 W. 43rd St., 4th Floor, New York, NY 10036, http://www.ansi.org.

3.2 Definitions of Terms Specific to This Standard:

3.2.1 *contact molding*—includes the “hand lay-up” or a combination of the “hand lay-up” and the “spray-up” manufacturing processes.

4. Classification

4.1 Tanks meeting this specification are classified according to type. It is the responsibility of the purchaser to specify the requirement for Type II tanks, the operating pressure or vacuum levels, and the safety factor required for external pressure. Absence of a designation of type required shall imply that Type I is adequate.

4.1.1 *Type I*—Atmospheric pressure tanks vented directly to the atmosphere, designed for pressure no greater or lower than atmospheric.

4.1.2 *Type II*—Atmospheric pressure tanks vented directly into a fume conservation system, and designed to withstand, the specified positive and negative pressure not to exceed 14 in. of water (355.6 mm) when all tie-down lugs are properly secured, in accordance with the fabricator’s recommendations for flat-bottom tanks.

4.2 Tanks meeting this specification are classified according to type as follows:

4.2.1 *Grade 1*—Tanks manufactured with a single generic type of thermoset resin throughout.

4.2.2 *Grade 2*—Tanks manufactured with different generic types of thermoset resin in the barrier and the structural portion.

NOTE 3—The external corrosive environment due to spillage or corrosive vapors should be considered when specifying Grade 2 tanks (see 7.1.3.3).

5. Materials and Manufacture

5.1 *Resin*—The resin used shall be a commercial grade, corrosion-resistant thermoset that has either been evaluated in a laminate by test in accordance with 11.3, or that has been determined by previous documented service to be acceptable for the service conditions. Where service conditions have not been evaluated, a suitable resin may also be selected by agreement between fabricator and purchaser.

5.1.1 The resin shall contain no pigment, dyes, colorants, or filler, except as follows:

5.1.1.1 A thixotropic agent that does not interfere with visual inspection of laminate quality, or with the required corrosion resistance of the laminate, may be added for viscosity control.

NOTE 4—The addition of a thixotropic agent may reduce the resistance of many resin systems to certain corrosive chemical environments. It is the responsibility of the fabricator, using a thixotropic agent in the resin required for 7.1.1 and 7.1.2, to ascertain its compatibility with the corrosive environment when this has been reported by the purchaser.

5.1.1.2 Resin pastes used to fill crevices before overlay shall not be subject to the limitation of 5.1.1.

5.1.1.3 Resin may contain pigment, dyes, or colorants when agreed upon between fabricator and purchaser.

NOTE 5—The addition of pigment, dyes, or colorants may interfere with visual inspection of laminate quality.

5.1.1.4 Ultraviolet absorbers may be added for improved weather resistance if agreed upon between the fabricator and the purchaser.

5.1.1.5 Antimony compounds or other fire-retardant agents may be added to halogenated resins for improved fire resistance, if agreed upon between the fabricator and the purchaser.

NOTE 6—Because the addition of fire-retardant agents may interfere with visual inspection of laminate quality, they should not be used in the inner surface (7.1.1) or interior layer (7.1.2), unless their functional advantages would outweigh the loss of visual inspection.

5.2 Reinforcement:

5.2.1 *Chopped-Strand Mat*—Chopped-strand mat shall be constructed from chopped commercial-grade E-type glass strands bonded together using a binder. The strands should be treated with a sizing that is chemically compatible with the resin system used.

NOTE 7—The selection of the particular chopped-strand mat is dependent upon the performance characteristics required of the finished product and upon the processing techniques to be used.

5.2.2 *Nonwoven Biaxial or Unidirectional Fabric*—These products shall be a commercial grade of E-type glass fiber with a sizing that is chemically compatible with the resin system used.

5.2.3 *Woven Roving*—Woven roving shall be in accordance with Specification D2150.

5.2.4 *Surface Mat*—The reinforcement used for the inner surface (7.1.1) shall be either a commercial-grade chemical resistant glass surface mat or an organic-fiber surface mat. In environments that attack glass, the use of an organic-fiber surface mat is required.

6. Design Requirements

6.1 *Straight Shell*—The minimum required wall thickness of the cylindrical straight shell at any fluid level shall be determined by the following equation, but shall not be less than $\frac{3}{16}$ in.:

$$t = PD/2S_H = 0.036 \gamma HD/2S_H \text{ or } (0.2489 \gamma HD/2S_H)$$

where:

t = wall thickness, in. (mm),

S_H = allowable hoop tensile stress (not to exceed $\frac{1}{10}$ of the ultimate hoop strength), psi (kPa) (see 11.8),

P = pressure, psi (kPa),

H = fluid head, in. (mm),

γ = specific gravity of fluid, and

D = inside diameter of tank, in. (mm).

NOTE 8—The use of an accepted analytical technique, such as laminated plate theory (LPT), for design and analysis of composite vessels may predict stresses, strains, and strength on a ply-by-ply basis, given some basic lamina properties.

NOTE 9—The calculation is suitable for the shell design of elevated dished-bottom tanks that are mounted or supported below the tangent of the dished-bottom head. Special consideration must be given to the loading on the straight shell at the support when tank has mounting supports located above the tangent line.

NOTE 10—Table X2.1, Appendix X2, illustrates minimum straight-shell wall thicknesses.

6.2 Design for External Pressure:

6.2.1 *Cylindrical Shells*—For cylindrical shells, compute the value $1.73 (D_o/t)^{0.5}$. If the result is less than L/D_o of the cylinder, compute P_a as follows:

$$P_a = 2.6(E/F)(D_o/L) (t/D_o)^{2.5}$$

If the result is greater than L/D_o of the cylinder, compute P_a as follows:

$$P_a = \frac{2.6(E/F)(D_o/L)(t/D_o)^{2.5}}{(L/D_o) - 0.45(t/D_o)^{0.5}}$$

where:

- D_o = outside diameter, in.,
- E_t = hoop tensile modulus of the filament wound structural laminate, psi (kPa),
- F = design factor = 5,
- L = design length, in. (mm), of a vessel section, taken as the largest of the following: (a) the distance between head tangent lines plus one-third the depth of each formed head, if there are no stiffening rings (excluding conical heads and sections); (b) the distance between cone-to-cylinder junctions for vessels with a cone or conical heads if there are no stiffening rings; (c) the greatest center-to-center distance between any two adjacent stiffening rings; (d) the distance from the center of the first stiffening ring to the formed head tangent line plus one-third the depth of the formed head (excluding conical heads and sections), all measured parallel to the axis of the vessel; (e) the distance from the first stiffening ring in the cylinder to the cone-to-cylinder junction,

- P_a = allowable external pressure, psi (kPa), and
- t = wall thickness, in. (mm) (nominal).

6.2.2 *Torispherical Heads*—For torispherical heads, compute the allowable external pressure, P_a , as follows:

$$P_a = 0.36(E/F)(t/R_o)^2$$

where:

- R_o = outside crown radius of head, in. (mm).

For torispherical heads subject to internal loading, the knuckle radius shall be externally reinforced in accordance with Fig. 1. The reinforcement thickness shall be equal to the thickness of the head as calculated above. The thickness of a joint overlay near the knuckle radius tangent line of dished head contributes to the knuckle reinforcement.

6.2.3 *Stiffening Rings*—The required moment of inertia, I_s , of a circumferential stiffening ring for cylindrical shells under external pressure or internal vacuum shall not be less than that determined by the following:

$$I_s = PL_s D^3 F / 24E_h$$

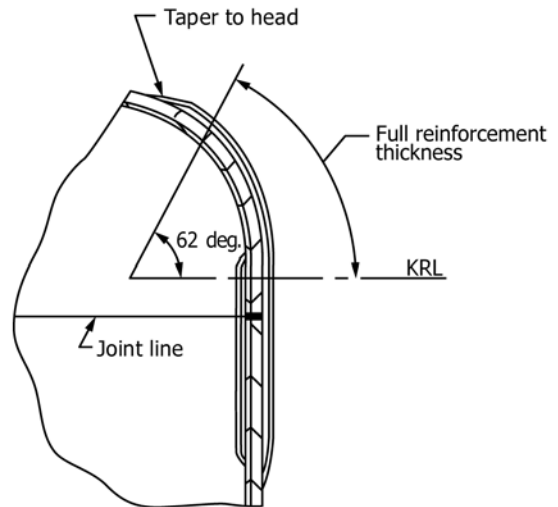


FIG. 1 Jointed Head Detail (Sketch A)

where:

- D_o = shell outside diameter, in. (mm),
- E_h = hoop tensile modulus, psi (kPa),
- F = design factor = 5,
- I_s = moment of inertia, in.⁴(mm⁴), of stiffener for the effective length of shell, L_s ,
- L_s = one-half of the distance from the centerline of the stiffening ring to the next line of support on one side, plus one-half of the centerline distance to the next line of support on the other side of the stiffening ring, both measured parallel to the axis of the cylinder, in. A line of support is the following: (a) a stiffening ring that meets the requirements of this paragraph; (b) a circumferential line on a head at one-third the depth of the head from the head tangent line; (c) a cone-to-cylinder junction,
- P = actual external pressure, psi (kPa).

Typical half-round stiffener sizes and dimensions for different values of I_s are shown in Fig. 4. Other stiffener profiles meeting the required moment of inertia may be used.

6.3 *Top Head*—The top head, regardless of shape, shall be able to support a 250-lb (113.4 kg) load on a 4 by 4-in. (100 by 100 mm) area without damage and with a maximum deflection of 1/2 % of the tank diameter.

6.3.1 The minimum thickness of the top head shall be 3/16 in. (4.8 mm).

NOTE 11—Support of auxiliary equipment, snow load, or operating personnel, may require additional reinforcement or the use of stiffening ribs, or both, sandwich construction, or other stiffening systems.

6.4 Bottom Head:

6.4.1 The minimum thickness for a fully supported flat-bottom head shall be as follows:

- 3/16 in. (4.8 mm) for 2 to 6-ft (0.6 to 1.8-m) diameter,
- 1/4 in. (6.4 mm) for over 6 to 12-ft (1.8 to 3.7-m) diameter, and
- 3/8 in. (9.5 mm) for over 12-ft (3.7-m) diameter.

6.4.2 Bottom heads may be molded integrally with the straight-shell, or may be molded separately with a straight flange length for subsequent joining to shell.

6.4.3 The radius of the bottom knuckle of a flat-bottom tank shall be not less than 1 in. (25 mm) on tanks 4 ft or smaller in diameter and 1.5 in. (38 mm) on tanks larger than 4 ft in diameter. The minimum thickness of the radiused section shall be equal to the combined thickness of the shell wall and the bottom. The reinforcement of the knuckle-radius area shall taper so that it is tangent to the flat bottom, and shall not extend beyond the tangent line onto the tank bottom, unless methods of manufacture are used that maintain flat-bottom configuration, and shall extend up the vertical tank wall a minimum of length “L” of 8 in. (203 mm) on tanks up to 4 ft (1219 mm) in diameter, and 12 in. (304 mm) on tanks over 4 ft (1219 mm) in diameter. The reinforcement shall then taper into the side wall over an additional length “M” of 4 in. (102 mm) (see Fig. 2). Methods of manufacture that incorporate stiffening bands as a means of knuckle stabilization, are permissible alternatives by agreement between purchaser and fabricator, provided that the fabricator can document the validity of design.

6.4.4 The tank bottom shall not have variations from a nominally flat plane that would prevent uniform contact of the entire bottom surface with a properly prepared support surface when the tank is filled with liquid. The bottom laminate surface shall be a hand-work finish and shall have no excessive laminate projections that would prevent uniform contact with a properly prepared flat support surface when the tank is filled with liquid.

NOTE 12—This requirement is not intended to exclude the use of drain nozzles, which are commonly used at the bottom of the side shell. However, foundation cut-outs are required of the appropriate dimensions for nozzle type and size.

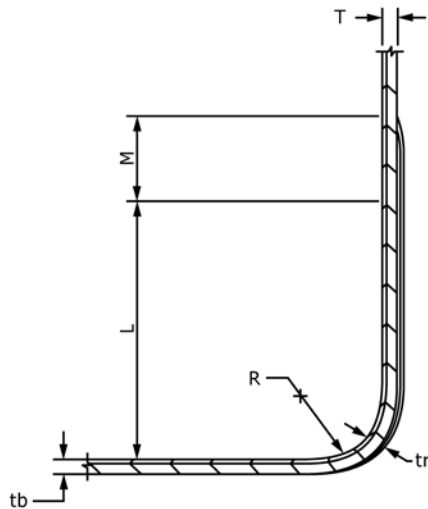
6.4.5 The thickness of an elevated torispherical dished bottom, suitable for supporting the weight of the fluid head, shall be determined by the following equation, but shall not be less than 3/16 in. (4.8 mm):

$$t = 0.885 PR/S = 0.885 (0.036 \gamma HR)/S \text{ or } (0.885 (0.2489 \gamma HR)/S)$$

where:

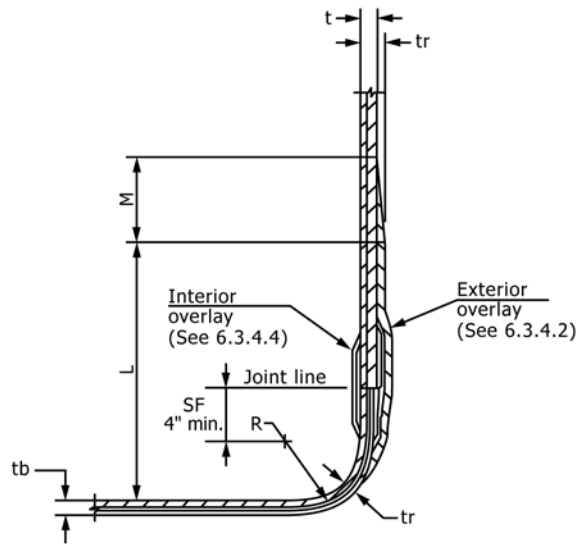
- t = thickness, in. (mm),
- S = allowable stress (not to exceed 1/10 of ultimate strength), psi (kPa) (see 11.8),
- γ = specific gravity of fluid,
- P = pressure, psi (kPa),
- R = inside radius of dished head, in. (mm), and
- H = distance from the top of the fluid to the deepest portion of the bottom, in. (mm).

NOTE 13— An alternate method for design of an elevated torispherical



Tank bottom must be flat over entire width.

Figure 1A
For Integral Head to Shell



Tank bottom must be flat over entire width.

Figure 1B
For Integral Head to Shell

Tank Dia. ft. (m)	R Min. in. (mm)	L Min. in. (mm)	M Min. in. (mm)
4(1.2) and under	1 (25.4)	8 (203)	3 (24)
over 4(1.2)	1 1/2 (38)	12 (305)	4 (102)

- L = Length of double reinforcing
- M = Length of thickness transition (taper)
- t = Shell thickness
- tb = Bottom thickness
- R = Inside corner radius
- SF = Straight flange of bottom head
- tr(min.) = t + tb

FIG. 2 Flat-Bottom Tank Corner Detail

dished bottom is shown in [Appendix X3](#).

6.4.5.1 Minimum thickness of ellipsoidal heads, (2:1) shall be calculated as follows:

$$t = \frac{PD}{2S}$$

6.4.5.2 Minimum thickness of conical heads shall be calculated as follows:

$$t = \frac{PD}{2S \cdot \cos(\alpha)}$$

where:

α = 1/2 of APEX angle of the cone at the centerline of the head (not to exceed 30°).

6.4.6 The torispherical dished-bottom head shall have a radius of curvature that is equal to or less than the inside diameter of the tank straight shell, and a minimum knuckle radius of at least 6 % of the diameter of the head.

6.4.7 Deflection of the flat bottom when the tank is empty, commonly known as “oil canning,” is permissible as long as the requirements of [6.4.4](#) are met.

6.5 *Open-Top Tanks*—The top edge of open-top tanks shall have a horizontal reinforcing flange or other means of reinforcement sufficiently rigid to maintain the shape of the tank after installation. The flange shall be in accordance with [Table 1](#). See [Table 2](#).

6.6 Joints:

6.6.1 The cured resin surfaces to be overlaid shall be roughened using 36 or coarser grit abrasive media. The roughened area shall extend beyond the lay-up area so that no reinforcement is applied to an unroughened surface. Surfaces shall be clean and dry before lay-up. The entire roughened area shall be coated with paraffinated resin after the joint lay-up is made.

6.6.2 The secondary laminate joints are used to join hoop segments of the straight shell, or to join the bottom or top head to the shell. The thickness of the structural joint overlay shall be equal to the shell thickness as determined in [6.1](#).

6.6.3 The minimum width of the structural joint overlay for bottom supported tanks is shown in [Table 3](#).

6.6.4 The corrosion-resistant barrier component of the joint shall be formed in the same manner as the inner surface and the interior layer ([7.1.1](#) and [7.1.2](#)) and shall not be considered a structural element in determining joint thickness. The minimum overlay width shall be 4 in. (100 mm).

6.6.5 The thickness of a joint near the bottom tangent line shall not be considered to contribute to the knuckle reinforcement of [6.4.3](#), but shall be additive thereto.

6.7 Fittings:

TABLE 2 Standard Tank Inside Diameters

in. (mm)	in. (mm)	in. (mm)
24 (610)	54 (1372)	96 (2438)
30 (762)	60 (1524)	108 (2743)
36 (914)	66 (1676)	120 (3048)
42 (1067)	72 (1829)	132 (3353)
48 (1219)	84 (2134)	144 (3658)

6.7.1 The more common method of fabricating nozzles is by contact molding both the nozzle neck and flange to the dimensions shown in [Table 4](#). The corrosion-resistant barrier of the nozzle shall be at least equivalent to the inner surface and interior layer ([7.1.1](#) and [7.1.2](#)) and shall be fabricated from the same resin as the tank head or shell to which it is attached.

6.7.2 Acceptable alternative methods are the use of contact-molded pipe, filament-wound pipe in accordance with Specification [D2996](#), or centrifugally cast pipe in accordance with Specification [D2997](#), joined to a suitable contact-molded (Specification [D5421](#)), compression-molded, or filament-wound flange (Specification [D4024](#)). The corrosion-resistant barrier of the contact molded portions of such nozzles shall be equivalent to the inner surface and interior layer ([7.1.1](#) and [7.1.2](#)) and shall be fabricated from the same resin as the tank head or shell to which it is attached.

6.7.3 Nozzles 4 in. (102 mm) and smaller shall be supported by a suitable gusseting technique using plate gussets or conical gussets, as shown in [Fig. 3](#) and [Fig. 4](#). Plate gussets, where needed, shall be evenly spaced around the nozzle and are to be added after complete assembly of nozzle on shell. Larger nozzles, subject to superimposed mechanical forces, require special consideration.

6.7.4 Manways installed in top heads may be of the flanged design or of a nonflanged design, as agreed upon between the fabricator and purchaser.

6.7.4.1 Side-shell manways shall be in accordance with [7.3.2](#) and [7.3.3](#).

6.7.4.2 Typical manway dimensions are shown in [Table 5](#).

NOTE 14—Tanks over 6 ft (1.8 m) straight-shell may need both top- and side-shell opening manways for safety and maintenance considerations.

6.7.5 Vents:

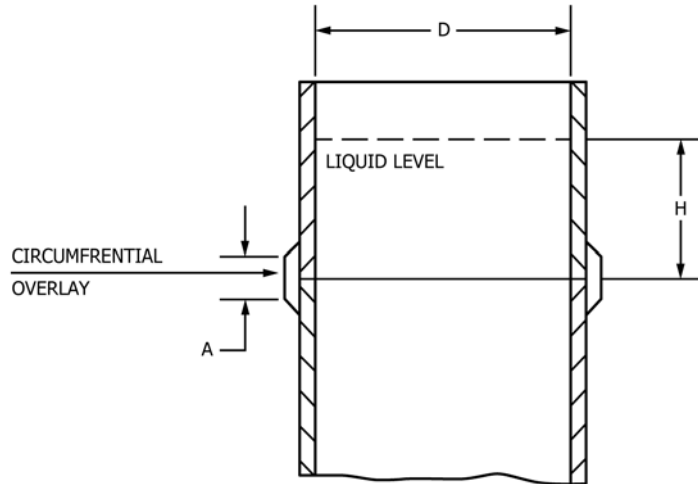
6.7.5.1 Vents that discharge freely into the atmosphere shall be provided in all Type I closed-top tanks. Minimum vent size shall be sufficient to handle the flow displacement of all combined inlet or outlet nozzles without creating any pressure above atmospheric pressure, or any vacuum condition.

NOTE 15—Special vent sizing consideration should be given to the numerous operating situations that could otherwise cause a positive or a negative pressure in a closed tank. Since overfilling a closed tank with a top vent can cause it to be overpressurized, a suitably sized overflow or

TABLE 1 Minimum Acceptable Contact Molded Laminate Physical Properties

Property	Thickness, in. (mm)			
	1/8 to 3/16 (3.2 to 4.8)	1/4 (6.4)	3/16 (7.9)	3/8 and up (9.5 and up)
Ultimate tensile strength, min, psi (kPa)	9 000 (620.5)	12 000 (827.4)	13 000 (930.8)	15 000 (1 034)
Flexural strength, min, psi (kPa)	16 000 (1 103)	19 000 (1 310)	20 000 (1 399)	22 000 (1 517)
Flexural modulus for elasticity (tangent), psi (kPa)	700 000 (48 263)	800 000 (55 158)	900 000 (62 053)	1 000 000 (68 948)

TABLE 3 Minimum Widths of Joint Overlay for Circumferential Joints



$H \times D$ = minimum width of outside, ^A	60	100	140	180	220	260	300	340	380	420	460	500
in.	4	4	5	6	7	8	9	10	11	12	13	14
(mm)	(102)	(102)	(127)	(152)	(178)	(203)	(229)	(254)	(279)	(305)	(330)	(356)

where:

H = distance from the top of the liquid level to the joint, ft (m), and
 D = inside diameter of the tank, ft (m).

^A Axial joint overlay widths shall be twice the width shown in the table.

TABLE 4 Reinforcing Flange for Open-Top Tanks^{A,B}

L^C ft (m)	Tank Diameter, ft (m)								Flange Type	Flange Dimensions	
	2 (0.610)	4 (1.219)	6 (1.829)	8 (2.438)	9 (2.743)	10 (3.048)	11 (3.353)	12 (3.658)		Width, in. (mm)	Thickness ^D , in. (mm)
2 (0.610)	A	A	A	C	D	E	F	G	A	2 (51)	1/4 (6)
4 (1.219)	A	A	A	C	D	E	F	G	B	2 (51)	3/8 (10)
6 (1.829)	A	A	A	C	D	E	F	G	C	2 (51)	1/2 (13)
8 (2.438)	A	A	A	C	D	E	F	G	D	2 1/2 (64)	3/8 (10)
10 (3.048)	A	A	B	C	D	E	F	G	E	2 1/2 (64)	1/2 (13)
12 (3.658)	A	A	B	D	D	E	F	G	F	3 (76)	3/8 (10)
14 (4.267)	A	A	B	D	E	F	F	G	G	3 (76)	1/2 (13)
16 (4.877)	A	A	C	E	E	G	G	H	H	3 (76)	5/8 (16)
18 (5.486)	A	A	C	E	F	G	G	H	J	3 (76)	3/8 (19)
20 (6.096)	A	A	D	E	F	G	H	J	K	3 (76)	1 (25)
24 (7.315)	A	B	D	F	G	H	J	K	K		
30 (9.144)	A	B	E	G	H	H	K	K	K		
36 (10.973)	A	B	E	H	J	K	K				
40 (12.192)	A	B	E	H	J	K					

^A This table is based on handling considerations only. Significant superimposed loads, such as from wind or seismic conditions, should be considered independently.

^B Reinforcement configurations other than flanges may be used if equal or greater stiffness is provided.

^C L = maximum distance from flange to tank bottom or to the shell stiffener when used.

^D Flange thickness shall be at least equal to adjacent vessel wall thickness.

other appropriate protection may be required to prevent overpressuring the tank.

6.7.6 Type II tanks shall be designed to withstand the specified positive or negative pressures not to exceed 14 in. of water (355.6 mm). Special design consideration shall be given to buckling of tank wall and heads, the hold-down lug system, and top and bottom knuckle requirements. Fluid level in the tank is an important consideration in the analysis.

6.7.6.1 Flat-bottom tanks shall have all hold-down lugs properly secured to the foundation, in accordance with the tank fabricator's recommendation for the design of the lugs used and for the tank installation and operation.

6.8 Hold-Down Lugs—Hold-down lugs shall be a requirement on all tanks for outdoor service, on all Type II tanks, and on tanks subject to seismic loads or vibrations. The design

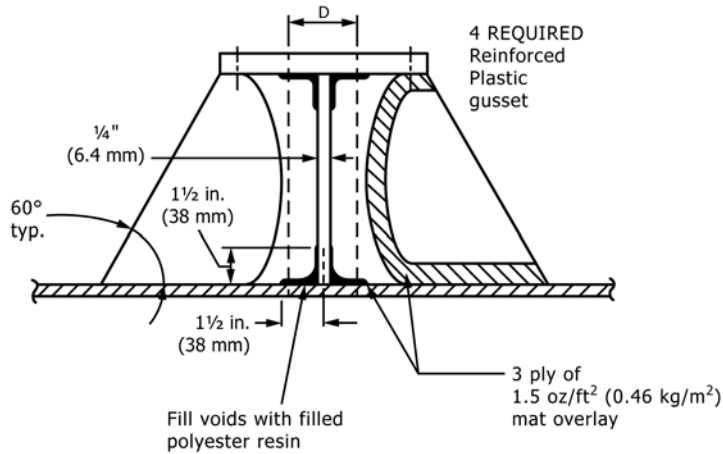


FIG. 3 Plate-Type Gussets

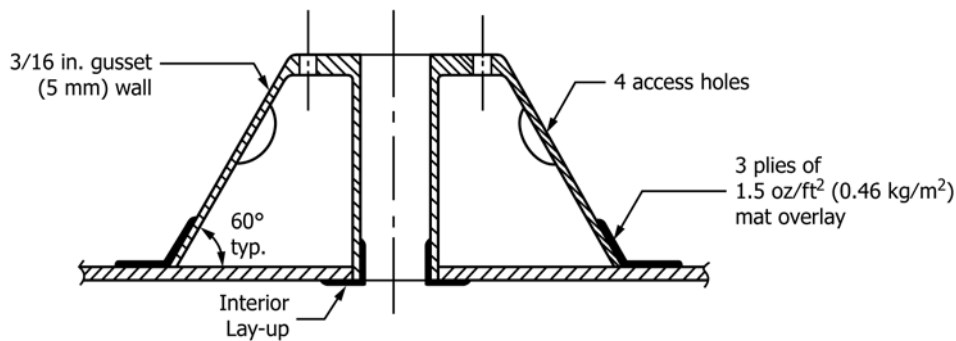


FIG. 4 Conical-Type Gussets

NOTE 1—This design does not require lay-up of nozzle neck to exterior tank wall.

TABLE 5 Typical Dimensions of Manways

NOTE 1—Bolt size equals bolt hole diameter minus 1/8 in. (3 mm).

NOTE 2—Gaskets shall be 1/8 in. thick full-face elastomeric material having a hardness of Shore A80 ± 5.

Minimum Size, in.	Minimum Diameter of Flange and Cover, in. (mm)	Minimum Thickness of Flange and Cover, in. (mm)	Minimum Manway Wall Thickness, in. (mm)	Diameter of Bolt Circle, in. (mm) ^{A,B,C}	Number of Bolts	Bolt Hole Diameter, in. (mm)
Pressurized Manway—up to 15 psig						
20	27½ (699)	1 (25.4)	3/8 (9.5)	25 (635)	20	3/4 (19)
22	30 (762)	1 (25.4)	3/8 (9.5)	27 (686)	20	3/4 (19)
24	32 (813)	1¼ (31.8)	3/8 (9.5)	29½ (749)	20	3/4 (19)
Manway—Atmospheric Pressure up to 0.5 psig						
20	27½ (699)	3/8 (9.5)	¼ (6.4)	25 (635)	20	½ (12.7)
22	30 (762)	3/8 (9.5)	¼ (6.4)	27 (686)	20	½ (12.7)
24	32 (813)	3/8 (9.5)	¼ (6.4)	29½ (748)	20	½ (12.7)

^A ± 0.06 in. (1.5 mm) (ASME/ANSI B 16.5).

^B ± 0.03 in. (0.76 mm) center to center of adjacent bolt holes (ASME/ANSI B 16.5).

^C ± 0.06 in. (1.5 mm) eccentricity between bolt circle and center of nozzle.

number and attachment of such lugs is the responsibility of the fabricator, based on the wind, seismic, and other loads specified by the purchaser.

6.8.1 Hold-down lugs shall be placed on the tank in such a way that they do not protrude below the bottom surface of the tank.

6.9 *Lifting Lugs*—Lifting lugs or other provisions for lifting tanks (see Appendix X1) shall be provided for tanks over 500 lb (227 kg) in weight.

7. Laminate Construction Requirements

7.1 *Structural Tank*—The laminate comprising the structural tank (bottom, cylindrical shell, top head) shall consist of a corrosion-resistant barrier comprised of an inner surface, interior layer, and a structural layer.

7.1.1 *Inner Surface*—The inner surface exposed to the chemical environment shall be a resin-rich layer 0.010 and 0.020 in. (0.254 to 0.508 mm) thick, reinforced with a suitable

chemical-resistant glass-fiber surfacing mat or with an organic-fiber surfacing mat, in accordance with 5.2.4.

NOTE 16—This resin-rich inner surface will usually contain less than 20 % by weight of reinforcing material.

7.1.2 *Interior Layer*—The inner surface layer exposed to the corrosive environment shall be followed with a layer composed of resin, reinforced only with noncontinuous glass-fiber strands applied in a minimum of two plies of chopped-strand mat equivalent to a total of 3 oz/ft² (0.92 kg/m²). As an alternative, a minimum of two passes of chopped roving of minimum length 0.5 in. (13 mm) to a maximum length of 2.0 in. (50.8 mm), shall be applied uniformly to an equivalent weight. Each ply of mat or pass of chopped roving shall be well rolled prior to the application of additional reinforcement. The combined thickness of the inner surface and interior layer shall not be less than 0.10 in. (2.5 mm).

7.1.2.1 Glass content of the inner liner and the interior layer combined shall be 27 ± 5 % by weight, when tested in accordance with 11.4.

7.1.2.2 The degree of cure of the laminate shall be such as to exhibit a Barcol hardness on the inner surface of at least 90 % of the resin manufacturer’s minimum specified hardness for the cured resin, when tested in accordance with 11.7 and Note 19, Note 20, and Note 21.

7.1.3 *Contact Molded Structural Layer in Top and Bottom Heads*—Subsequent reinforcement shall be comprised of 1.5 oz/ft² (0.46 kg/m²) chopped strand mat or equivalent weight of chopped roving or shall be comprised of chopped strand mat or chopped roving and such additional number of alternating plies of 24 oz/yd² (0.81 kg/m²) woven roving or 18 oz/yd² (0.61 kg/m²) nonwoven biaxial fabric to a thickness as required to meet the physical properties that are used for the design. The use of woven roving is optional. The designations of these specific weights of glass reinforcement are for reference only and may be comprised of other weight combinations of reinforcement materials, when agreed to between the fabricator and purchaser. Each successive ply or pass of reinforcement shall be well rolled prior to the application of additional reinforcement. Where woven roving or nonwoven fabric is used, chopped strand glass reinforcement shall be used as alternating and final layers. All woven roving and nonwoven fabric, surfacing mat shall be overlapped. Laps in subsequent layers shall be staggered at least 2.25 in. (60 mm) from laps in the preceding layer.

7.1.3.1 When the outer surface of this structural layer is to be subject to spillage or a corrosive environment, a resin-rich layer in accordance with 7.1.1 shall be applied over the final layer of reinforcement.

7.1.3.2 Where air-inhibited resin is exposed to air, full surface cure shall be obtained by coating such surface with a coat of resin containing 0.2 to 0.6 % paraffin with a melt point of 122 to 126°F (50 to 52°C). Other techniques such as sprayed, wrapped, or overlaid films are also acceptable methods to attain surface cure. The acetone sensitivity test may be used to check surface cure (see Note 20).

7.1.3.3 Tanks used for outdoor service or subject to ultraviolet exposure shall incorporate provisions to minimize ultraviolet degradation. Suitable methods include use of ultraviolet absorbers, incorporation of pigment of sufficient opacity in the outer surface of the resin rich layer, or use of resins inherently resistant to ultraviolet degradation. Since pigmentation makes inspection difficult, it shall be added after inspection or otherwise by agreement between the purchaser and fabricator.

7.1.4 All woven roving, nonwoven biaxial fabric, and surfacing mat shall be overlapped. Laps in subsequent layers shall be staggered at least 2.25 in. (67 mm) from laps in the preceding layer.

7.1.5 Where woven roving or nonwoven biaxial fabric is used, chopped-strand glass reinforcement shall be used as alternating and final layers.

7.2 *Joints:*

7.2.1 The width of the first layer of joint overlay shall be 3 in. (76 mm) minimum. Successive layers shall uniformly increase in width to that specified in Table 6 to form a smooth contour laminate centered on the joint.

7.2.2 A highly filled resin paste shall be placed in the crevices between joined pieces, leaving a smooth surface for lay-up.

7.2.3 The cured resin surfaces to be joined shall be roughened using 36 or coarser abrasive grit media to expose glass fibers. This roughened area shall extend beyond the lay-up areas so that no reinforcement is applied to an unprepared surface. The entire roughened area shall be coated with paraffinated resin after joint overlay is made.

7.2.4 The interior overlay of a joint shall consist of a minimum of two plies of 1.5 oz/ft² (0.46 kg/m²) chopped strand mat reinforcement, followed by a resin-rich layer reinforced with surfacing mat. This overlay shall be the equivalent of 7.1.1 and 7.1.2 combined, and shall be centered on the joint. It shall be finished in accordance with 7.1.3.2.

7.2.5 The outer structural overlay of a joint shall be centered on the joint, fabricated in accordance with 6.6.1, and shall be finished in accordance with 7.1.2.

7.3 *Fittings and Accessories:*

7.3.1 The surface of fittings, tank accessories, and the laminates required for their installation, that are exposed to the

TABLE 6 Shear Bond Length (Fig. 5 and Fig. 6)

NOTE 1— When internal overlay serves only as a corrosion barrier, the total shear length must be placed on the exterior overlay.

Overlay Thickness, in. (mm)	¼ (6.4)	⅜ (8)	⅝ (9.5)	⅞ (11)	½ (13)	⅞ (14)	⅝ (16)	1⅞ (17.5)	¾ (19)	⅞ (22)	1 (25.4)
h (shear length), in. (mm)	3 (76)	3 (76)	3 (76)	3½ (90)	4 (100)	4½ (114)	5 (127)	5½ (140)	6 (152)	7 (178)	8 (203)

where: h = total shear length (h_o + h_i) (Fig. 5 and Fig. 6).

corrosive media, shall be constructed in accordance with 7.1.1 and 7.1.2, except for those fitting surfaces which are made by manufacturing processes other than contact molding.

7.3.1.1 The cut edges of all laminates exposed to the chemical environment shall be sealed with a laminate conforming to 7.1.1 and 7.1.2. Where shape, thickness, or other restrictions preclude covering the edges with the preceding laminate, such cut edges and any machined flange faces shall be at least coated with resin. In either case, the resin used shall be that used in the equipment laminate and finished in accordance with 7.1.3.2.

7.3.2 *Nozzle and Manway Installation*— Flanged nozzles may be installed with the pipe stub flush with the inside of the tank shell (Flush Type, Fig. 5) or projecting inside the tank (Penetrating Type, Fig. 6).

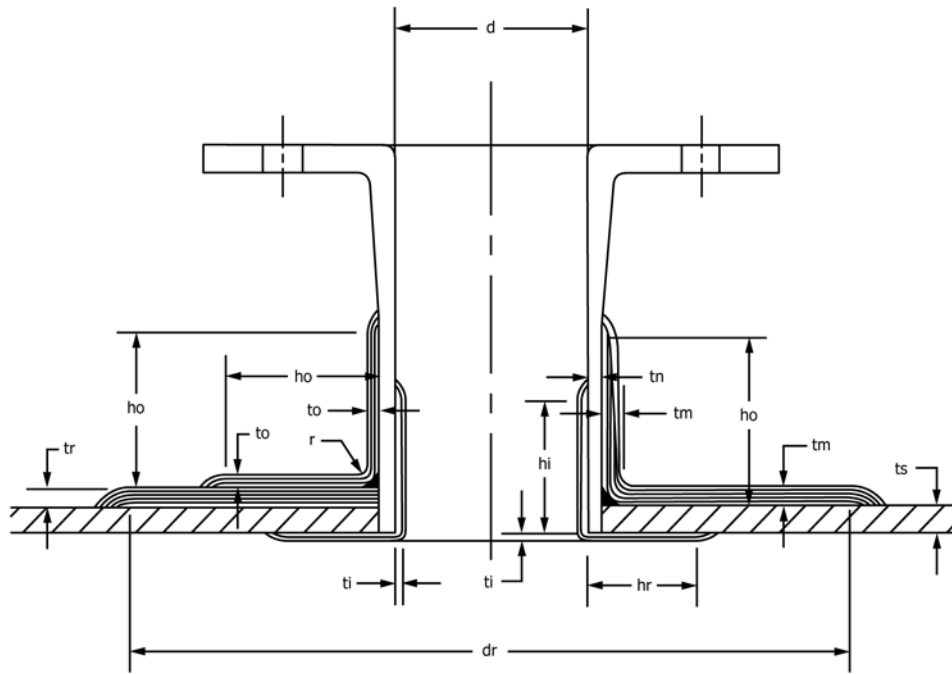
7.3.2.1 *Nozzle Projection*—The installed nozzle shall maintain a minimum clearance of 3 in. (76 mm) between the back face of the flange and the exterior of the cutout opening

reinforcement. In addition, this clearance shall not be less than the shear distance required for proper installation of the nozzle (see 7.3.3).

7.3.2.2 *Cutout Reinforcement Laminate*— When a vessel shell or head is cut in an area bearing hydrostatic pressure, P , the cutout shall be reinforced on a circular area concentric with the cutout as shown in Fig. 5 and Fig. 6. Acceptable patterns of reinforcement placement are shown in Fig. 7.

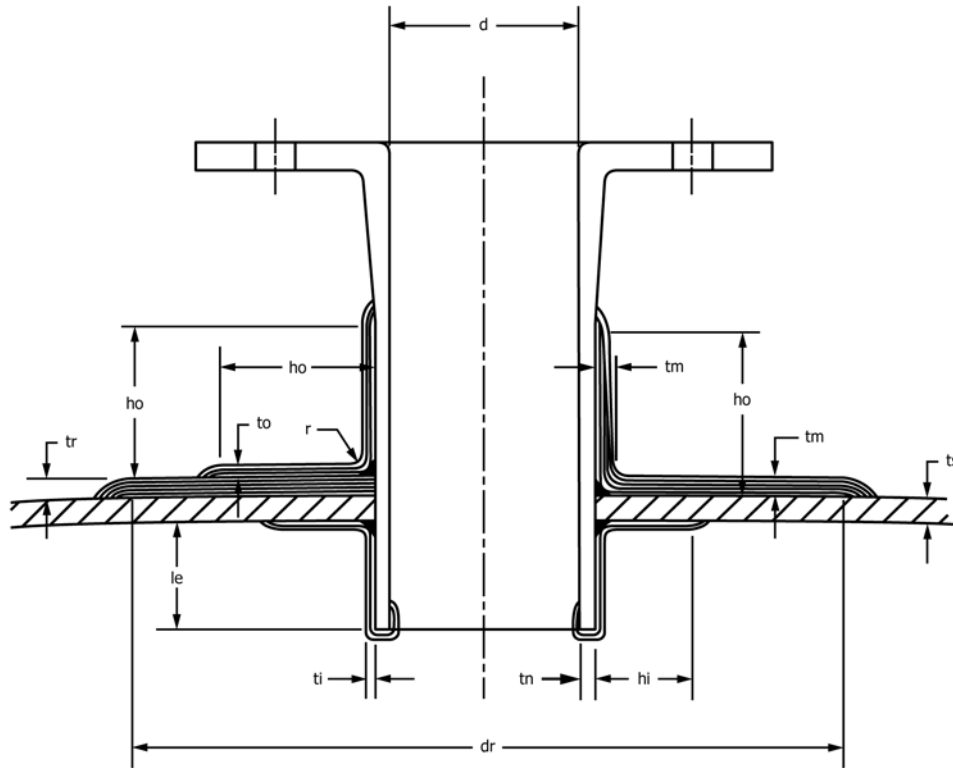
7.3.2.3 *Cutout Reinforcement Diameter*— The outer diameter of the cutout reinforcing laminate, d_r , shall not be less than two times the nominal nozzle diameter. For nozzles less than 6 in. (152 mm) in diameter, the minimum cutout reinforcement diameter, d_r , shall be the nominal nozzle size plus 6 in. (152 mm).

7.3.2.4 *Cutout Reinforcement Thickness*— The thickness, t_r , of the cutout reinforcement laminate for nozzles installed in cylindrical shells or dished heads shall be determined as follows:



- d = nozzle diameter
- d_r = cutout reinforcement diameter (greater of 2 times d or $d + 6$ in.) (see 7.3.2.3)
- h_i = nozzle neck liner bond (or inside installation laminate)(see 7.3.3.2)
- h_o = outside shear bond (see 7.3.3.3)
- h_r = tank wall liner bond (or installation laminate) length
- h_s = shear bond length = h_o or h_i (see Table 6)
- t_i = liner thickness (or inside installation laminate thickness)(see 7.3.3.2)
- t_o = outside installation laminate thickness (see 7.3.3.1)
- t_n = nozzle neck thickness (see Table 4)
- t_r = cutout reinforcement thickness (see 7.3.2.4)
- t_m = monolithic bond (greater of t_r or t_o)(see 7.3.3.5)
- t_s = shell thickness (see 6.1.4)
- r = fillet radius 3/8 in. (9.5 mm) min.

FIG. 5 Flush Nozzle Installation



- d = nozzle diameter
- dr = cutout reinforcement diameter (greater of 2 times d or d + 6 in.) (see 7.3.2.3)
- hi = liner bond (or inside installation laminate)(see 7.3.3.2)
- ho = outside shear bond (see 7.3.3.3)
- hs = shear bond length = ho or hi (see Table 6)
- ti = liner thickness (or inside installation laminate thickness)(see 7.3.3.2)
- to = outside installation laminate thickness (see 7.3.3.1)
- tn = nozzle neck thickness (see Table 4)
- tr = cutout reinforcement thickness (see 7.3.2.4)
- tm = monolithic bond (greater of tr or to)(see 7.3.3.5)
- ts = shell thickness (see 6.1.4)
- le = penetration length 2 in. (50 mm) min.
- r = fillet radius 3/8 in. (9.5 mm) min.

FIG. 6 Penetrating Nozzle Installation

$$t_r = PDK/2S_r$$

where:

- K = 1.0 for nozzles 6-in. (152-mm) diameter and larger,
- K = $d/(d_r - d)$ for nozzles less than 6-in. (152-mm) diameter,
- P = hydrostatic pressure at the point of nozzle installation, psi (kPa),
- D = inside diameter of tank, in. (mm),
- S_r = allowable tensile stress (not to exceed $1/10$ of the ultimate strength of the cutout reinforcing laminate) (Table 6),
- d = nominal nozzle diameter, in. (mm), and
- d_r = cutout reinforcement diameter, in. (mm).

This thickness, t_r , may be applied to the outer or inner surfaces, or be divided between them as shown in Fig. 7.

NOTE 17—When t_r is calculated to be $1/8$ in. (3.2 mm) or less, it can be disregarded, as the strength requirements will be met by t_o , the overlay thickness shown in Fig. 5 and Fig. 6.

7.3.2.5 When reinforcing materials are cut to facilitate placement around an installed nozzle, joints in successive

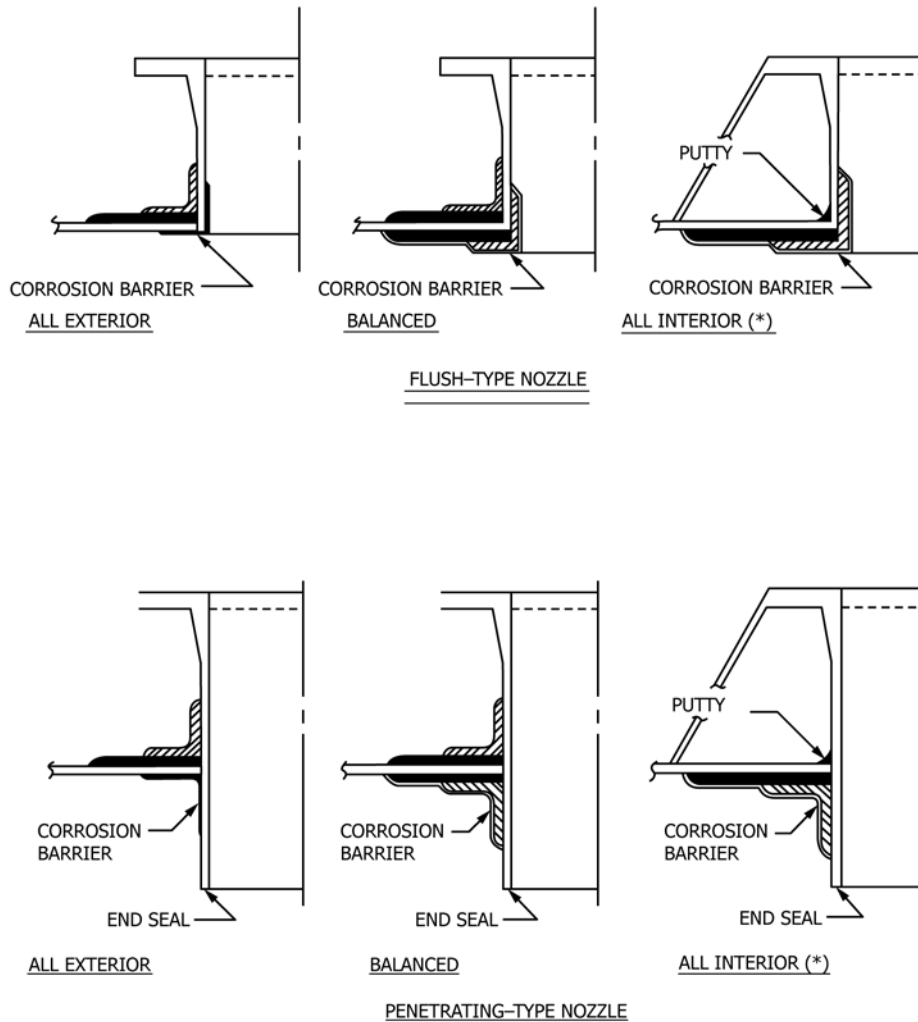
reinforcing layers should be staggered to avoid overlapping and (on cylindrical shell installations) shall not be placed so they parallel the axis of the tank. The intent of this requirement is to avoid orienting joints in reinforcing layers perpendicular to the maximum load-bearing direction (circumferential).

7.3.3 Nozzle Installation Laminates— Nozzle installation laminate dimensions are shown in Fig. 5 and Fig. 6. Installation laminate placements are shown in Fig. 7. The all interior installation laminate placement is used only when the nozzle being installed has an integral conical gusset preventing application of an exterior laminate.

7.3.3.1 Installation Laminate Thickness— The inside and outside installation thicknesses (t_i and t_o) combined shall be at least as thick as the nozzle neck.

7.3.3.2 Inside Installation Laminate Construction—The inside installation laminate shall be constructed using only noncontinuous glass reinforcement, except that when woven roving is included to strengthen the laminate, it shall be preceded and followed by a layer of $1\frac{1}{2}$ oz mat and then covered with a laminate equivalent to 7.1.1 and 7.1.2. When

NOZZLE INSTALLATION AND CUT-OUT
REINFORCEMENT LOCATION ALTERNATE



NOTE 1—This installation method is used only when the nozzle is being installed with an integral conical gusset which would prevent application of an exterior laminate.

FIG. 7 Nozzle Installation and Cutout Reinforcement Location Alternate

the inside laminate consists only of a corrosion barrier, the length of the laminate, h_r , shall be a minimum of 3 in. and h_i shall be the lesser of 3 in. or the nominal radius of the nozzle.

7.3.3.3 *Installation Laminate Lengths*— The length of the outside laminate, h_o , and the inside laminate, h_i , shall each be equal to the shear length, h_s , given in Table 6, based on the thickness of the individual laminates.

7.3.3.4 In nozzle installations where the installation overlay is installed before the cutout reinforcement has fully cured, that portion of the overlay which extends onto the tank shell may be considered to become a part of the cutout reinforcement laminate if the installation laminate length is extended to the required cutout reinforcement diameter, d_r .

7.3.3.5 *Monolithic Installation*—The total bond thickness, t_m , shall be the greater of either the cutout reinforcement thickness, t_r , or the outside bond thickness, t_o .

7.3.4 *Gussets*—If gussets (either plate or conical) are used to stiffen the installed nozzle, gusset installation laminates are in addition to the requirements of 7.3.3. Typical plate type and

conical type gussets are shown in Fig. 3 and Fig. 4. Other gusseted nozzle installations may be used as agreed upon between fabricator and purchaser.

7.3.5 *Location of Cutouts on the Shell*— For cutouts made within 6 in. (152 mm) of the knuckle radius area of a head or within 6 in. (152 mm) of a shell-to-shell or shell-to-head joint, additional hole cutout reinforcement is required, unless the area of installation is at a point within the vessel that is not exposed to hydrostatic pressure.

7.3.6 All nozzles and manways shall be installed in accordance with Fig. 5 and Fig. 6. The interior overlay shall present the same corrosion resistance to the fluid as specified in 7.1.1 and 7.1.2.

8. Requirements

8.1 *Physical Properties*—The minimum physical properties of the laminate constructions used to manufacture various portions of a tank and its accessories shall be as shown in Table

6 when tested in accordance with 11.5 and 11.6 or as agreed upon between the manufacturer and the purchaser.

8.2 *Degree of Cure*—Degree of cure of the laminate shall be found by determining the Barcol hardness as indicated in 11.7.

NOTE 18—The use of organic reinforcing materials may reduce the Barcol hardness readings without necessarily indicating undercure.

NOTE 19—A test for the surface cure of polyester reins is as follows: Remove mold release or paraffin wax, if present, and wipe clean of dust. Rub a small amount of acetone on the laminate surface until it evaporates. If the surface becomes softened or tacky, it is an indication of undercure.

9. Dimensions and Tolerances

9.1 Standard tank diameters, based on internal measurements with the tank in the vertical position, are listed in Table 7. Tolerance on the inside diameter, including out-of-roundness, shall be ± 1 %.

9.2 Where employed, shell taper shall be additive to the figure used for the tank diameter, unless otherwise specified by the manufacturer and accepted by the purchaser. The shell taper shall not exceed ½ ° per side.

9.3 Tolerance on overall tank height shall be ½ %, but shall not exceed ±½ in. (±13 mm).

9.4 Nozzle flange faces shall be perpendicular to the centerline of the pipe within tolerances shown in Fig. 8, and shall be flat within ±½ in. (±0.8 mm) through 18-in. (457-mm) nozzle size and ±¼ in. (±1.6 mm) for larger nozzle sizes. Tolerances on installation are shown in Fig. 8.

9.5 The standard orientation of flanges shall provide bolt holes straddling the normal centerlines of the tank. Bolt holes of flanges located on the tank top or bottom shall straddle the principal X-Y centerlines of the vessel or lines parallel to it as shown in Fig. 8.

9.6 The location of nozzles shall be held to the tolerances shown in Fig. 8.

10. Workmanship, Finish, and Appearance

10.1 The minimum acceptable level for workmanship and finish of the finished laminate shall conform to the requirements specified in Section 9 of Specification C582.

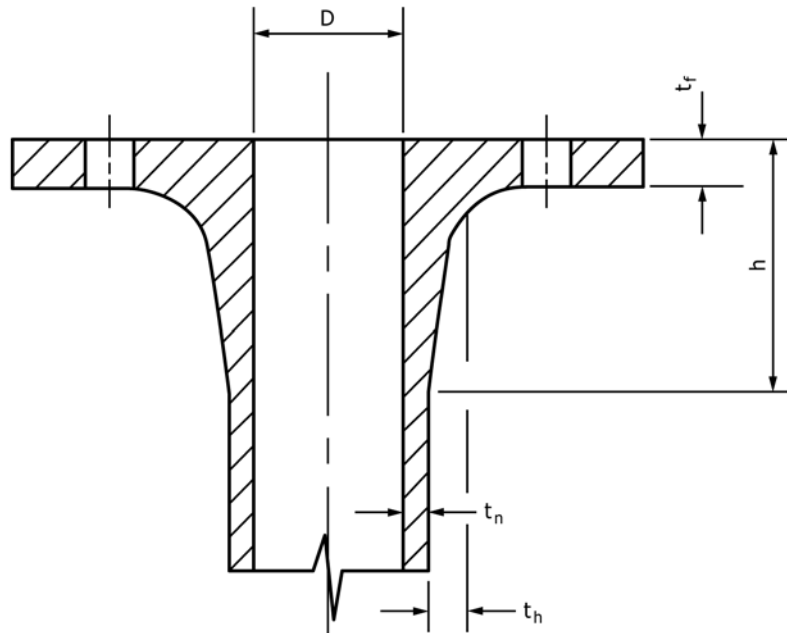
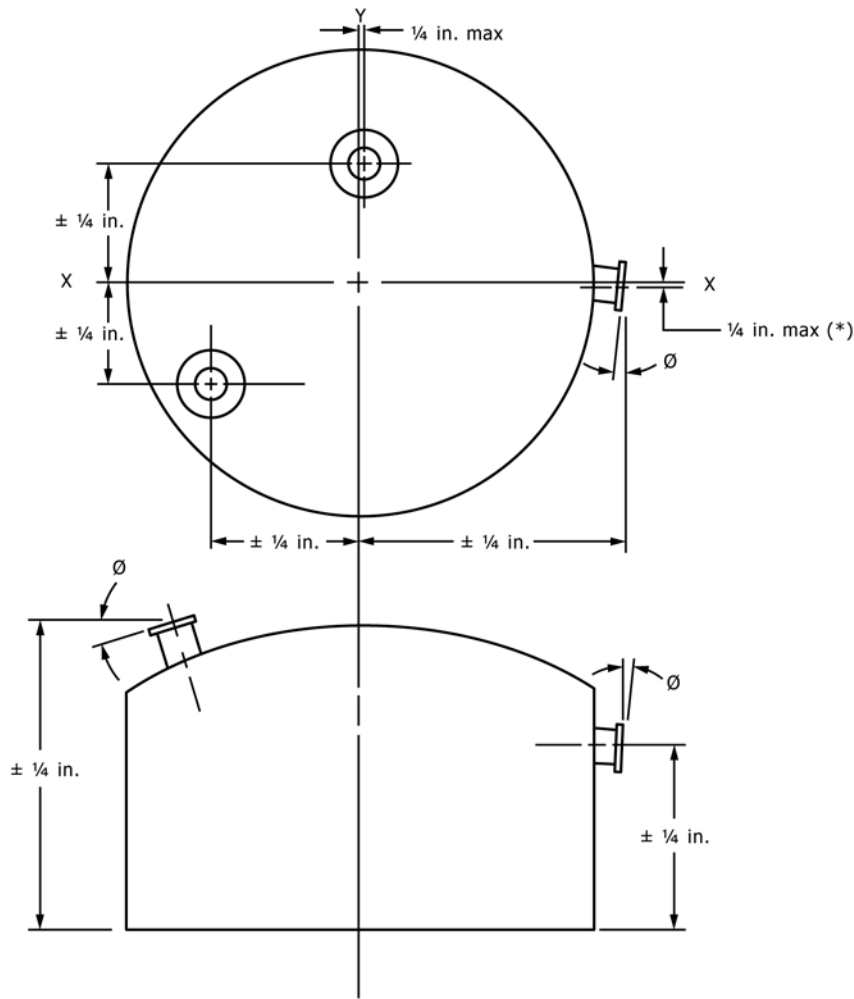


TABLE 7 Dimensions for Contact Molded Nozzles (25 psi Rating)

Nozzle Inside Diameter, (D), in. (mm)	Maximum Wall Thickness, (t _n), in. (mm)	Minimum Flange Thickness, (t _f), in. (mm)	Minimum Hub Thickness, (t _h), in. (mm)	Minimum Hub Length, (h), in. (mm)
1 (25)	3/16 (5)	1/2 (13)	1/4 (6)	2 (51)
1 1/2 (38)	3/16 (5)	1/2 (13)	1/4 (6)	2 (51)
2 (51)	3/16 (5)	1/2 (13)	1/2 (6)	2 (51)
3 (76)	3/16 (5)	1/2 (13)	1/2 (6)	2 (51)
4 (102)	3/16 (5)	1/2 (13)	1/2 (6)	2 (51)
6 (152)	3/16 (5)	1/2 (13)	1/2 (6)	2 (51)
8 (203)	3/16 (5)	9/16 (14)	5/16 (8)	2 1/4 (57)
10 (254)	3/16 (5)	1 1/16 (17)	3/8 (10)	2 3/4 (70)
12 (305)	3/16 (5)	3/4 (19)	3/8 (10)	3 (76)
14 (356)	1/4 (6)	1 3/16 (21)	7/16 (11)	3 1/4 (83)
16 (406)	1/4 (6)	7/8 (22)	7/16 (11)	3 1/2 (89)
18 (457)	1/4 (6)	1 5/16 (24)	1/2 (13)	3 3/4 (95)
20 (508)	1/4 (6)	1 (25)	1/2 (13)	4 (102)
24 (610)	1/4 (6)	1 1/8 (29)	9/16 (14)	4 1/2 (114)



Nozzle Inside Diameter, in.

Permissible Angular Deviation, -0

Up to 10
10 and larger

1°
1/2°

NOTE 1—Larger tolerances may be agreed upon between purchaser and fabricator for tanks over 12 ft in diameter.

FIG. 8 Nozzle Location and Orientation Tolerances

NOTE 20—A representative laminate sample may be used for determination of an acceptable surface finish and acceptable level of visual imperfections.

11. Test Methods

11.1 *Conditioning*—Condition the specimens prior to test at $23 \pm 2^\circ\text{C}$ (70 to 77°F) for not less than 40 h in accordance with Procedure A of Method D618, for those tests when conditioning is required and in all cases of disagreement.

11.2 *Test Conditions*—Conduct the test at a laboratory temperature of 70 to 77°F ($23 \pm 2^\circ\text{C}$) unless otherwise specified.

11.3 *Chemical Resistance of Resin*—Determine the chemical resistance of the resin in accordance with Practice C581.

11.4 *Glass Content*—Determine the glass content of the inner liner and interior layer combined. Obtain a test sample by carefully splitting these combined areas from the structural

layer. The glass content of the separated sample shall be determined in accordance with Test Method D2584.

11.5 *Tensile Strength*—Tensile strength of the laminate shall be determined in accordance with Method D638.

11.6 *Flexural Properties*—Determine the flexural strength and tangent modulus of elasticity of the laminate in accordance with Method D790.

11.7 *Degree of Cure*—Degree of cure of the laminate shall be found by determining the Barcol hardness in accordance with Test Method D2583.

11.8 *Physical Properties*—Where required, physical properties shall be determined in accordance with the test methods listed in Specification C582.

NOTE 21—A useful technique to check for cure of a non-molded surface of a polyester laminate is as follows: Rub a few drops of acetone on the laminate surface until it evaporates. If the surface becomes softened or

tacky, it is an indication of under cure.

NOTE 22—Barcol hardness values may vary when tests are conducted at temperatures that differ from those shown in 11.7.

12. Product Marking

12.1 The tank shall be marked to identify the producer, date of manufacture, the capacity, all resins used, inner surface reinforcements, specific gravity, design temperature, and the words “Pressure-Atmospheric,” or the operating pressure and vacuum, shall be imprinted on the tank.

12.2 Additional marking requirements may be needed for compliance with local codes. It is the responsibility of the purchaser or the user, or both, to specify additional labelling requirements for the vessel, such as liquid content, operating and safety instructions, NFPA symbols, and any other warnings necessitated by local codes.

13. Packaging and Package Marking

13.1 All packing, packaging, and marking provisions of Practice D3892 shall apply to this specification.

14. Shipping

14.1 Since there are variations in the design of support cradles, lifting and hold-down lugs, and methods of shipping, the manufacturer’s special instructions shall be followed in all cases.

14.2 Tanks shall be mounted on cradles if shipping horizontally, or on a suitable skid of pallet if shipping in the

vertical position. The cradles or skid shall be padded and secured to the bed of the vehicle in such a manner that will prevent damage to the tank with normal handling. The tank shall be secured to the cradles or skid so that there can be no movement of the tank in a relation to the skid or cradle under normal handling.

14.3 A suitable stiffening member shall be provided at the open end of open-top tanks.

14.4 Tanks shall be loaded to provide at least 2-in. (50.8-mm) clearance between the tank (including fittings) and the bulkheads or bed of the vehicle.

14.5 When two or more tanks are shipped on the same vehicle, sufficient clearance or padding shall be provided between tanks to prevent contact in transit.

14.6 Upon arrival at the destination, the purchaser shall be responsible for inspection for damage in transit. If damage has occurred, a claim should be filed with the carrier by the purchaser and the supplier should be notified. If the damage is not first repaired by the fabricator prior to the tank being put into service, the purchaser accepts all future responsibility for the effects of tank failure resulting from such damage.

15. Keywords

15.1 above ground; atmosphere; contact-molded; polyester; vinylester

APPENDIXES

(Nonmandatory Information)

X1. HANDLING AND INSTALLATION

X1.1 Handling

X1.1.1 The following normal precautions should be taken in handling the tank at the destination:

X1.1.1.1 Proper rigging practices should be observed at all times. Hoisting equipment operators should attach a guide line to prevent the tank from swinging out of control.

X1.1.1.2 The tank should not be dropped or allowed to strike any other object. Damage caused by such action may result in cracking the inner corrosion-resistant liner, as well as the structural portion of the tank.

X1.1.1.3 The tank should not be rolled or slid on rough ground. Never set a tank upon a fitting or other protrusion that may be attached to the shell.

X1.1.1.4 In working around the tank, care should be exercised to prevent tools, scaffolding, or other objects from striking the tank or being dropped on, or inside the tank. Soft-soled shoes should be worn by workman entering the tank. Where ladders are used (inside and outside), all points of contact with the tank should be cushioned to protect the surface from scratching or point loading.

X1.1.1.5 The use of a crane is recommended, both in lifting and positioning the tank. The clearance between the head

shackle of the crane and the tank should be at least equal to the span between the lugs used for lifting. If this is not possible, a spreader bar must be used to approximate the same angle in lifting.

X1.1.1.6 Where tanks are not equipped with lifting lugs, it is recommended that such tanks be lifted with rope slings (over 1 in. in diameter) or fabric straps positioned near each end of the tank. Tanks can be moved by positioning fork lift trucks on either side of the tank with forks padded.

X1.1.1.7 Under no conditions should chains or cables be allowed to contact a tank. Full protection must be provided when using chains or cables. Do not attach lifting devices to any fitting other than lifting lugs.

X1.1.1.8 When storing the tank on the ground prior to installation, it should be placed on the shipping cradles and tied down so that it cannot roll due to wind or sloping ground.

X1.2 Installation

X1.2.1 Vertical flat bottom tanks should be installed on a base providing continuous support and having sufficient strength to support the weight of the tank full of liquid with

negligible deflection. Full support of the bottom should be obtained by one of the following:

X1.2.1.1 If the surface of the pad and the bottom of the tank are flat and have no projections from the plane surface, the tank may be set on such a surface.

X1.2.1.2 If the conditions of X1.2.1.1 cannot be met, methods of support recommended by the manufacturer should be used.

X1.2.2 If the tank has a bottom drain, a hole should be provided in the pad with sufficient clearance so that the drain and its flange will not contact the base at any point.

X1.2.3 Erection of Vertical Tank:

X1.2.3.1 Tanks should be handled with a crane, utilizing the lifting lugs provided. Do not attempt to lift the tank by

attaching to other fittings. Prior to hoisting the top end, a suitable protection pad of material should be placed under the bottom pivot point of the tank so that as the tank rises, the strain is taken on the pad. The hoist wire should be connected to the top lifting lugs, and tank should be raised carefully using guide ropes to prevent sudden swinging.

X1.2.3.2 All hold-down lugs supplied should be utilized to secure the tank to its pad. Hold-down lugs should be grouted or shimmed to prevent excessive loads being transferred to the tank shell.

X1.2.3.3 Valves, controllers, or other heavy items connected to the tank nozzle should be independently supported.

X1.2.3.4 When agitators, mixers, or cooling/heating coils are to be installed, special design considerations are to be used.

X2. WALL THICKNESSES

X2.1 The wall thicknesses shown in Table X2.1 can be used as a guide for tanks designed in accordance with the equation in 6.1, using the minimum laminate physical properties given in Table 6.

TABLE X2.1 Wall Thicknesses^A

Distance from top, ft	Tank Diameter, ft (Inch-Pound Units)															
	2	2½	3	3½	4	4½	5	5 ½	6	7	8	9	10	11	12	
Wall Thickness, in.																
2	3/16	3/16	3/16	3/16	3/16	3/16	3/16	3/16	3/16	3/16	3/16	3/16	3/16	3/16	3/16	3/16
4	3/16	3/16	3/16	3/16	3/16	3/16	3/16	3/16	3/16	3/16	3/16	3/16	3/16	3/16	3/16	3/16
6	3/16	3/16	3/16	3/16	3/16	3/16	3/16	3/16	3/16	3/16	3/16	3/16	1/4	1/4	1/4	1/4
8	3/16	3/16	3/16	3/16	3/16	3/16	3/16	3/16	3/16	1/4	1/4	1/4	1/4	1/4	1/4	1/4
10	3/16	3/16	3/16	3/16	3/16	3/16	3/16	1/4	1/4	1/4	1/4	1/4	1/4	1/4	1/4	1/4
12	3/16	3/16	3/16	3/16	3/16	3/16	1/4	1/4	1/4	1/4	1/4	1/4	5/16	5/16	5/16	3/8
14	3/16	3/16	3/16	3/16	1/4	1/4	1/4	1/4	1/4	1/4	5/16	5/16	5/16	5/16	3/8	3/8
16	3/16	3/16	3/16	1/4	1/4	1/4	1/4	1/4	1/4	1/4	5/16	5/16	5/16	3/8	3/8	7/16
18	3/16	3/16	3/16	1/4	1/4	1/4	1/4	1/4	5/16	5/16	5/16	3/8	3/8	3/8	7/16	1/2
20	3/16	3/16	1/4	1/4	1/4	1/4	5/16	5/16	5/16	3/8	3/8	3/8	7/16	1/2	1/2	1/2
22	3/16	1/4	1/4	1/4	1/4	5/16	5/16	5/16	5/16	3/8	3/8	7/16	1/2	1/2	9/16	9/16
24	3/16	1/4	1/4	1/4	1/4	5/16	5/16	5/16	3/8	3/8	7/16	1/2	1/2	9/16	5/8	5/8

Distance from top, m	Tank Diameter, m (SI Units)															
	0.61	0.76	0.914	1.07	1.22	1.37	1.524	1.68	1.88	2.134	2.44	2.743	3.048	3.35	3.55	
Wall Thickness, mm ^A																
0.61	4.76	4.76	4.76	4.76	4.76	4.76	4.76	4.76	4.76	4.76	4.76	4.76	4.76	4.76	4.76	4.76
1.22	4.76	4.76	4.76	4.76	4.76	4.76	4.76	4.76	4.76	4.76	4.76	4.76	4.76	4.76	4.76	4.76
1.33	4.76	4.76	4.76	4.76	4.76	4.76	4.76	4.76	4.76	4.76	4.76	4.76	6.35	6.35	6.35	6.35
2.44	4.76	4.76	4.76	4.76	4.76	4.76	4.76	4.76	4.76	4.76	6.35	6.35	6.35	6.35	6.35	6.35
3.05	4.76	4.76	4.76	4.76	4.76	4.76	4.76	4.76	6.35	6.35	6.35	6.35	6.35	6.35	7.94	7.94
3.66	4.76	4.76	4.76	4.76	4.76	4.76	4.76	6.35	6.35	6.35	6.35	6.35	7.94	7.94	7.94	9.53
4.27	4.76	4.76	4.76	4.76	6.35	6.35	6.35	6.35	6.35	6.35	7.94	7.94	7.94	7.94	9.53	9.53
4.38	4.76	4.76	4.76	6.35	6.35	6.35	6.35	6.35	6.35	6.35	7.94	7.94	9.53	9.53	9.53	11.11
5.49	4.76	4.76	4.76	6.35	6.35	6.35	6.35	6.35	7.94	7.94	7.94	9.53	9.53	9.53	11.11	12.70
6.10	4.76	4.76	6.35	6.35	6.35	6.35	7.94	7.94	7.94	9.53	9.53	9.53	11.11	12.70	12.70	12.70
6.72	4.76	6.35	6.35	6.35	6.35	7.94	7.94	7.94	7.94	9.53	9.53	11.11	12.70	12.70	14.29	14.29
7.32	4.76	6.35	6.35	6.35	6.35	7.94	7.94	7.94	9.53	9.53	11.11	12.70	12.70	14.29	15.88	15.88

^A This table is based on a design factor of 10 to 1 and a liquid specific gravity of 1.2 using the laminate construction detailed in 7.1.1, 7.1.2, and 7.1.3 and the minimum laminate physical properties in Specification C582, Table 7.

X3. DISHED BOTTOM

X3.1 An alternative method for calculating the thickness of an elevated torispherical dished bottom head is as follows: (refer to Fig. X3.1):

$$t_c = PR_c / 2S = 0.036 \gamma HR_c / 2S \text{ or } (0.2489 \gamma HR_c W / 2S)$$

$$t_i = PR_c W / 2S = 0.036 \gamma HR_c W / 2S \text{ or } (0.2489 \gamma HR_c W / 2S)$$

where:

- t_c = head thickness in area of the crown radius, in. (mm),
- t_i = head thickness in area of the knuckle radius, in. (mm),
- S = allowable stress, psi (kPa),
- γ = specific gravity of fluid
- P = pressure, psi (kPa),
- R_c = crown radius of dished head, in. (mm),
- H = fluid head, in. (mm),
- W = stress intensification factor = $(1/4) (3 + \text{square root } R_c/r_i)$, and
- r_i = knuckle radius of the dished head, in. (mm).

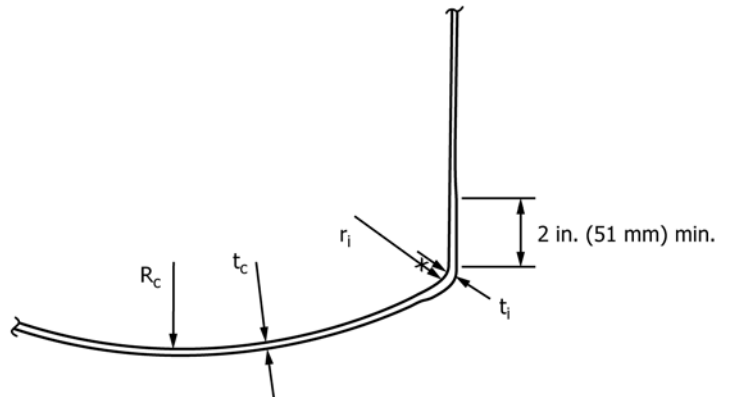


FIG. X3.1 Thickness of Dished-Bottom Head

ASTM International takes no position respecting the validity of any patent rights asserted in connection with any item mentioned in this standard. Users of this standard are expressly advised that determination of the validity of any such patent rights, and the risk of infringement of such rights, are entirely their own responsibility.

This standard is subject to revision at any time by the responsible technical committee and must be reviewed every five years and if not revised, either reapproved or withdrawn. Your comments are invited either for revision of this standard or for additional standards and should be addressed to ASTM International Headquarters. Your comments will receive careful consideration at a meeting of the responsible technical committee, which you may attend. If you feel that your comments have not received a fair hearing you should make your views known to the ASTM Committee on Standards, at the address shown below.

This standard is copyrighted by ASTM International, 100 Barr Harbor Drive, PO Box C700, West Conshohocken, PA 19428-2959, United States. Individual reprints (single or multiple copies) of this standard may be obtained by contacting ASTM at the above address or at 610-832-9585 (phone), 610-832-9555 (fax), or service@astm.org (e-mail); or through the ASTM website (www.astm.org). Permission rights to photocopy the standard may also be secured from the Copyright Clearance Center, 222 Rosewood Drive, Danvers, MA 01923, Tel: (978) 646-2600; http://www.copyright.com/