



Designation: D2700 – 16a



Designation: 236/87

Standard Test Method for Motor Octane Number of Spark-Ignition Engine Fuel¹

This standard is issued under the fixed designation D2700; the number immediately following the designation indicates the year of original adoption or, in the case of revision, the year of last revision. A number in parentheses indicates the year of last reapproval. A superscript epsilon (ϵ) indicates an editorial change since the last revision or reapproval.

This standard has been approved for use by agencies of the U.S. Department of Defense.

1. Scope*

1.1 This laboratory test method covers the quantitative determination of the knock rating of liquid spark-ignition engine fuel in terms of Motor octane number, including fuels that contain up to 25 % v/v of ethanol. However, this test method may not be applicable to fuel and fuel components that are primarily oxygenates.² The sample fuel is tested in a standardized single cylinder, four-stroke cycle, variable compression ratio, carbureted, CFR engine run in accordance with a defined set of operating conditions. The octane number scale is defined by the volumetric composition of primary reference fuel blends. The sample fuel knock intensity is compared to that of one or more primary reference fuel blends. The octane number of the primary reference fuel blend that matches the knock intensity of the sample fuel establishes the Motor octane number.

1.2 The octane number scale covers the range from 0 to 120 octane number, but this test method has a working range from 40 to 120 octane number. Typical commercial fuels produced for automotive spark-ignition engines rate in the 80 to 90 Motor octane number range. Typical commercial fuels produced for aviation spark-ignition engines rate in the 98 to 102 Motor octane number range. Testing of gasoline blend stocks or other process stream materials can produce ratings at various levels throughout the Motor octane number range.

1.3 The values of operating conditions are stated in SI units and are considered standard. The values in parentheses are the historical inch-pounds units. The standardized CFR engine measurements continue to be in inch-pound units only because of the extensive and expensive tooling that has been created for this equipment.

¹ This test method is under the jurisdiction of ASTM Committee D02 on Petroleum Products, Liquid Fuels, and Lubricants and is the direct responsibility of Subcommittee D02.01 on Combustion Characteristics.

Current edition approved Dec. 1, 2016. Published January 2017. Originally approved in 1968. Last previous edition approved in 2016 as D2700 – 16. DOI: 10.1520/D2700-16A.

² Research octane number, determined using Test Method D2699, is a companion method to provide a similar but typically higher octane rating under milder operating conditions.

1.4 *This standard does not purport to address all of the safety concerns, if any, associated with its use. It is the responsibility of the user of this standard to establish appropriate safety and health practices and determine the applicability of regulatory limitations prior to use.* For more specific hazard statements, see Section 8, 14.4.1, 15.5.1, 16.6.1, Annex A1, A2.2.3.1, A2.2.3.3(6) and (9), A2.3.5, X3.3.7, X4.2.3.1, X4.3.4.1, X4.3.9.3, X4.3.12.4, and X4.5.1.8.

2. Referenced Documents

2.1 ASTM Standards:³

- D1193 Specification for Reagent Water
- D2268 Test Method for Analysis of High-Purity *n*-Heptane and Isooctane by Capillary Gas Chromatography
- D2360 Test Method for Trace Impurities in Monocyclic Aromatic Hydrocarbons by Gas Chromatography (Withdrawn 2016)⁴
- D2699 Test Method for Research Octane Number of Spark-Ignition Engine Fuel
- D2885 Test Method for Determination of Octane Number of Spark-Ignition Engine Fuels by On-Line Direct Comparison Technique
- D3703 Test Method for Hydroperoxide Number of Aviation Turbine Fuels, Gasoline and Diesel Fuels
- D4057 Practice for Manual Sampling of Petroleum and Petroleum Products
- D4175 Terminology Relating to Petroleum Products, Liquid Fuels, and Lubricants
- D4177 Practice for Automatic Sampling of Petroleum and Petroleum Products
- D4814 Specification for Automotive Spark-Ignition Engine Fuel
- D5842 Practice for Sampling and Handling of Fuels for Volatility Measurement

³ For referenced ASTM standards, visit the ASTM website, www.astm.org, or contact ASTM Customer Service at service@astm.org. For *Annual Book of ASTM Standards* volume information, refer to the standard's Document Summary page on the ASTM website.

⁴ The last approved version of this historical standard is referenced on www.astm.org.

*A Summary of Changes section appears at the end of this standard

D6299 Practice for Applying Statistical Quality Assurance and Control Charting Techniques to Evaluate Analytical Measurement System Performance

D6304 Test Method for Determination of Water in Petroleum Products, Lubricating Oils, and Additives by Coulometric Karl Fischer Titration

E344 Terminology Relating to Thermometry and Hydrometry

E456 Terminology Relating to Quality and Statistics

E542 Practice for Calibration of Laboratory Volumetric Apparatus

E1064 Test Method for Water in Organic Liquids by Coulometric Karl Fischer Titration

2.2 *ANSI Standard*:⁵

C-39.1 Requirements for Electrical Analog Indicating Instruments

2.3 *Energy Institute Standard*:

IP 224/02 Determination of Low Lead Content of Light Petroleum Distillates by Dithizone Extraction and Colorimetric Method⁶

3. Terminology

3.1 Definitions:

3.1.1 *accepted reference value, n*—a value that serves as an agreed-upon reference for comparison, and which is derived as: (1) a theoretical or established value, based on scientific principles, (2) an assigned or certified value, based on experimental work of some national or international organization, or (3) a consensus or certified value, based on collaborative experimental work under the auspices of a scientific or engineering group. **E456**

3.1.1.1 *Discussion*—In the context of this test method, accepted reference value is understood to apply to the Motor octane number of specific reference materials determined empirically under reproducibility conditions by the National Exchange Group or another recognized exchange testing organization.

3.1.2 *Check Fuel, n—for quality control testing*, a spark-ignition engine fuel of selected characteristics having an octane number accepted reference value (O.N._{ARV}) determined by round-robin testing under reproducibility conditions.

3.1.3 *cylinder height, n—for the CFR engine*, the relative vertical position of the engine cylinder with respect to the piston at top dead center (tdc) or the top machined surface of the crankcase.

3.1.4 *detonation meter, analog, n—for knock testing*, the analog signal conditioning instrumentation that accepts the electrical signal from the detonation pickup and provides an output signal for display.

3.1.5 *detonation meter, digital, n—for knock testing*, the digital signal conditioning instrumentation that accepts the electrical signal from the detonation pickup and provides a digital output signal for display.

3.1.6 *detonation pickup, n—for knock testing*, a magnetostrictive-type transducer that threads into the engine cylinder and is exposed to combustion chamber pressure to provide an electrical signal that is proportional to the rate-of-change of cylinder pressure.

3.1.7 *dial indicator reading, n—for the CFR engine*, a numerical indication of cylinder height, in thousandths of an inch, indexed to a basic setting at a prescribed compression pressure when the engine is motored.

3.1.8 *digital counter reading, n—for the CFR engine*, a numerical indication of cylinder height, indexed to a basic setting at a prescribed compression pressure when the engine is motored.

3.1.9 *dynamic fuel level, n—for knock testing*, test procedure in which the fuel-air ratio for maximum knock intensity for sample and reference fuels is determined using the falling level technique that changes carburetor fuel level from a high or rich mixture condition to a low or lean mixture condition, at a constant rate, causing knock intensity to rise to a maximum and then decrease, thus permitting observation of the maximum knockmeter reading.

3.1.10 *equilibrium fuel level, n—for knock testing*, test procedure in which the fuel-air ratio for maximum knock intensity for sample and reference fuels is determined by making incremental step changes in fuel-air ratio, observing the equilibrium knock intensity for each step, and selecting the level which produces the highest knock intensity reading.

3.1.11 *firing, n—for the CFR engine*, operation of the CFR engine with fuel and ignition.

3.1.12 *fuel-air ratio for maximum knock intensity, n—for knock testing*, that proportion of fuel to air that produces the highest knock intensity for each fuel in the knock testing unit, provided this occurs within specified carburetor fuel level limits.

3.1.13 *guide tables, n—for knock testing*, the specific relationship between cylinder height (compression ratio) and octane number at standard knock intensity for specific primary reference fuel blends tested at standard or other specified barometric pressure.

3.1.14 *knock, n—in a spark-ignition engine*, abnormal combustion, often producing audible sound, caused by auto-ignition of the air/fuel mixture. **D4175**

3.1.15 *knock intensity, n—for knock testing*, a measure of the level of knock.

3.1.16 *knockmeter, analog, n—for knock testing*, the 0 to 100 division analog indicating meter that displays the knock intensity signal from the analog detonation meter.

3.1.17 *knockmeter, digital, n—for knock testing*, the 0 to 999 division digital indicating software meter that displays the knock intensity from the digital detonation meter.

3.1.18 *motoring, n—for the CFR engine*, operation of the CFR engine without fuel and with the ignition shut off.

3.1.19 *motor octane number, n—for spark-ignition engine fuel*, the numerical rating of knock resistance obtained by

⁵ Available from American National Standards Institute (ANSI), 25 W. 43rd St., 4th Floor, New York, NY 10036, <http://www.ansi.org>.

⁶ Available from Energy Institute, 61 New Cavendish St., London, WIG 7AR, U.K., <http://www.energyinst.org.uk>.

comparison of its knock intensity with that of primary reference fuels when both are tested in a standardized CFR engine operating under the conditions specified in this test method.

3.1.20 *octane number, n—for spark-ignition engine fuel*, any one of several numerical indicators of resistance to knock obtained by comparison with reference fuels in standardized engine or vehicle tests. **D4175**

3.1.21 *oxygenate, n—an oxygen-containing organic compound*, which may be used as a fuel or fuel supplement, for example, various alcohols and ethers. **D4175**

3.1.22 *primary reference fuel blends above 100 octane, n—the millilitres per U.S. gallon of tetraethyllead in isooctane* that define octane numbers above 100 in accordance with an empirically determined relationship.

3.1.23 *primary reference fuels, n—for knock testing, isooctane, n-heptane*, volumetrically proportioned mixtures of isooctane with *n*-heptane, or blends of tetraethyllead in isooctane that define the octane number scale.

3.1.24 *primary reference fuel blends below 100 octane, n—the volume percent of isooctane in a blend with n-heptane* that defines the octane number of the blend, isooctane being assigned as 100 and *n*-heptane as zero octane number.

3.1.25 *quality control (QC) sample, n—for use in quality assurance programs to determine and monitor the precision and stability of a measurement system*, a stable and homogeneous material having physical or chemical properties, or both, similar to those of typical samples tested by the analytical measurement system; the material is properly stored to ensure sample integrity, and is available in sufficient quantity for repeated, long term testing. **D6299**

3.1.26 *repeatability conditions, n—conditions where independent test results are obtained with the same method on identical test items in the same laboratory by the same operator using the same equipment within short intervals of time.* **E456**

3.1.26.1 *Discussion*—In the context of this test method, a short time interval between two ratings on a sample fuel is understood to be not less than the time to obtain at least one rating on another sample fuel between them but not so long as to permit any significant change in the sample fuel, test equipment, or environment.

3.1.27 *reproducibility conditions, n—conditions where test results are obtained with the same method on identical test items in different laboratories with different operators using different equipment.* **E456**

3.1.28 *spread, n—in knock measurement*, the sensitivity of the analog detonation meter expressed in knockmeter divisions per octane number. (This feature is not a necessary adjustment in the digital detonation meter.)

3.1.29 *standard knock intensity, analog, n—for knock testing*, that level of knock established when a primary reference fuel blend of specific octane number is used in the knock testing unit at maximum knock intensity fuel-air ratio, with the cylinder height (dial indicator or digital counter reading) set to the prescribed guide table value. The analog detonation meter is adjusted to produce an analog knockmeter reading of 50 for these conditions.

3.1.30 *standard knock intensity, digital, n—for knock testing*, that level of knock established when a primary reference fuel blend of specific octane number is used in the knock testing unit at maximum knock intensity fuel-air ratio, with the cylinder height (dial indicator or digital counter reading) set to the prescribed guide table value. The digital detonation meter will display a peak to peak voltage of approximately 0.25 V for these conditions.

3.1.31 *toluene standardization fuels, n—for knock testing*, those volumetrically proportioned blends of two or more of the following: reference fuel grade toluene, *n*-heptane, and isooctane that have prescribed rating tolerances for O.N._{ARV} determined by round-robin testing under reproducibility conditions.

3.2 Abbreviations:

3.2.1 *ARV*—accepted reference value

3.2.2 *CFR*—Cooperative Fuel Research

3.2.3 *C.R.*—compression ratio

3.2.4 *IAT*—intake air temperature

3.2.5 *K.I.*—knock intensity

3.2.6 *MIXT*—mixture temperature

3.2.7 *OA*—octane analyzer

3.2.8 *O.N.*—octane number

3.2.9 *PRF*—primary reference fuel

3.2.10 *RTD*—resistance thermometer device (Terminology E344), platinum type

3.2.11 *TSF*—toluene standardization fuel

4. Summary of Test Method

4.1 The Motor O.N. of a spark-ignition engine fuel is determined using a standard test engine and operating conditions to compare its knock characteristic with those of PRF blends of known O.N. Compression ratio and fuel-air ratio are adjusted to produce standard K.I. for the sample fuel, as measured by a specific electronic detonation measurement system. A standard K.I. guide table relates engine C.R. to O.N. level for this specific method. The fuel-air ratio for the sample fuel and each of the PRF blends is adjusted to maximize K.I. for each fuel.

4.1.1 The fuel-air ratio for maximum K.I. may be obtained (1) by making incremental step changes in mixture strength, observing the equilibrium K.I. value for each step, and then selecting the condition which maximizes the reading or (2) by picking the maximum K.I. as the mixture strength is changed from either rich-to-lean or lean-to-rich at a constant rate.

4.2 *Bracketing Procedures*—The engine is calibrated to operate at standard K.I. in accordance with the guide table. The fuel-air ratio of the sample fuel is adjusted to maximize the K.I., and then the cylinder height is adjusted so that standard K.I. is achieved. Without changing cylinder height, two PRFs are selected such that, at their fuel-air ratio for maximum K.I., one knocks harder (higher K.I.) and the other softer (lower K.I.) than the sample fuel. A second set of K.I. measurements for sample fuel and reference fuels is required, and the sample fuel O.N. is calculated by interpolation in proportion to the differences in average K.I. readings. A final condition requires

that the cylinder height used shall be within prescribed limits around the guide table value for the calculated O.N. Bracketing procedure ratings may be determined using either the equilibrium or dynamic fuel-air ratio approach.

4.3 C.R. Procedure—A calibration is performed to establish standard K.I. using the cylinder height specified by the guide table for the O.N. of the selected PRF. The fuel-air ratio of the sample fuel is adjusted to maximize the K.I. under equilibrium conditions; the cylinder height is adjusted so that standard K.I. is achieved. The calibration is reconfirmed and the sample fuel rating is repeated to establish the proper conditions a second time. The average cylinder height reading for the sample fuel, compensated for barometric pressure, is converted directly to O.N. using the guide table. A final condition for the rating requires that the sample fuel O.N. be within prescribed limits around that of the O.N. of the single primary reference blend used to calibrate the engine to the guide table standard K.I. condition.

5. Significance and Use

5.1 Motor O.N. correlates with commercial automotive spark-ignition engine antiknock performance under severe conditions of operation.

5.2 Motor O.N. is used by engine manufacturers, petroleum refiners and marketers, and in commerce as a primary specification measurement related to the matching of fuels and engines.

5.2.1 Empirical correlations that permit calculation of automotive antiknock performance are based on the general equation:

$$\text{Road O.N.} = (k_1 \times \text{Research O.N.}) + (k_2 \times \text{Motor O.N.}) + k_3 \quad (1)$$

Values of k_1 , k_2 , and k_3 vary with vehicles and vehicle populations and are based on road-octane number determinations.

5.2.2 Motor O.N., in conjunction with Research O.N., defines the antiknock index of automotive spark-ignition engine fuels, in accordance with Specification **D4814**. The antiknock index of a fuel approximates the road octane ratings for many vehicles, is posted on retail dispensing pumps in the United States, and is referred to in vehicle manuals.

$$\text{Antiknock index} = 0.5 \text{ Research O.N.} + 0.5 \text{ Motor O.N.} + 0 \quad (2)$$

This is more commonly presented as:

$$\text{Antiknock Index} = \frac{(R + M)}{2} \quad (3)$$

5.3 Motor O.N. is used for measuring the antiknock performance of spark-ignition engine fuels that contain oxygenates.

5.4 Motor O.N. is important in relation to the specifications for spark-ignition engine fuels used in stationary and other nonautomotive engine applications.

5.5 Motor O.N. is utilized to determine, by correlation equation, the Aviation method O.N. or performance number (lean-mixture aviation rating) of aviation spark-ignition engine fuel.⁷

6. Interferences

6.1 *Precaution*—Avoid exposure of sample fuels to sunlight or fluorescent lamp UV emissions to minimize induced chemical reactions that can affect octane number ratings.⁸

6.1.1 Exposure to these fuels to UV wavelengths shorter than 550 nm for a short period of time may significantly affect octane number ratings.

6.2 Certain gases and fumes, which can be present in the area where the knock testing unit is located, may have a measurable effect on the Motor O.N. test result.

6.2.1 Halogenated refrigerant used in air conditioning and refrigeration equipment can promote knock. Halogenated solvents can have the same effect. If vapors from these materials enter the combustion chamber of the CFR engine, the Motor O.N. obtained for sample fuels can be depreciated.

6.3 Electrical power subject to transient voltage or frequency surges or distortion can alter CFR engine operating conditions or knock measuring instrumentation performance and thus affect the Motor O.N. obtained for sample fuels.

6.3.1 Electromagnetic emissions can cause interference with the analog knock meter and thus affect the Motor O.N. obtained for sample fuels.

7. Apparatus

7.1 *Engine Equipment*⁹—This test method uses a single cylinder, CFR engine that consists of standard components as follows: crankcase, a cylinder/clamping sleeve assembly to provide continuously variable C.R. adjustable with the engine operating, a thermal syphon recirculating jacket coolant system, a multiple fuel tank system with selector valving to deliver fuel through a single jet passage and carburetor venturi, an intake air system with controlled temperature and humidity equipment, electrical controls, and a suitable exhaust pipe. The engine flywheel is belt connected to a special electric power-absorption motor utilized to both start the engine and as a means to absorb power at constant speed when combustion is occurring (engine firing). The intensity of combustion knock is

⁷ Correlation information is given in ASTM research report RR:D02-69, Aviation Gasoline Antiknock Quality by ASTM Methods D614 and D357. (Replaced by Test Method D2700.) Refer to the Report Section, in this test method, for application of the correlation relationship.

⁸ Supporting data have been filed at ASTM International Headquarters and may be obtained by requesting Research Report RR:D02-1502.

⁹ The sole source of supply of the engine equipment and instrumentation known to the committee at this time is Waukesha Engine, Dresser, Inc., 1000 W. St. Paul Avenue, Waukesha, WI 53188. Waukesha Engine also has CFR engine authorized sales and service organizations in selected geographical areas. If you are aware of alternative suppliers, please provide this information to ASTM International Headquarters. Your comments will receive careful consideration at a meeting of the responsible technical committee,¹ which you may attend.

measured by electronic detonation sensing and metering instrumentation. See Fig. 1 and Table 1.

7.1.1 The single cylinder test engine for the determination of O.N. is manufactured as a complete unit by Waukesha Engine Division, Dresser Industries, Inc. The Waukesha Engine Division designation for the apparatus required for this test method is Model CFR F-2 Motor Method Octane Rating Unit.

7.2 *Auxiliary Equipment*—A number of components and devices have been developed to integrate the basic engine equipment into complete laboratory or on-line octane measurement systems. These include computer interface and software systems, as well as common hardware, tubing, fasteners, electrical and electronic items. Appendix X1 contains a listing of such items, many of which are potentially available from multiple sources. In some cases, selection of specific dimensions or specification criteria are important to achieve proper conditions for the knock testing unit, and these are included in Appendix X1 when applicable.

7.3 *Reference and Standardization Fuel Dispensing Equipment*—This test method requires repeated blending of reference fuels and TSF materials in volumetric proportions. In addition, blending of dilute tetraethyllead in *isooctane* may be performed on-site for making rating determinations above 100 O.N. Blending shall be performed accurately because rating error is proportional to blending error.

7.3.1 *Volumetric Blending of Reference Fuels*—Volumetric blending has historically been employed to prepare the required blends of reference fuels and TSF materials. For volumetric blending, a set of burets, or accurate volumetric apparatus, shall be used and the desired batch quantity shall be collected in an appropriate container and thoroughly mixed before being introduced to the engine fuel system.

7.3.1.1 Calibrated burets or volumetric apparatus having a capacity of 200 mL to 500 mL and a maximum volumetric tolerance of $\pm 0.2\%$ shall be used for preparation of reference and standardization fuel blends. Calibration shall be verified in accordance with Practice E542.

7.3.1.2 Calibrated burets shall be outfitted with a dispensing valve and delivery tip to accurately control dispensed volume. The delivery tip shall be of such design that shut-off tip discharge does not exceed 0.5 mL.

7.3.1.3 The rate of delivery from the dispensing system shall not exceed 400 mL per 60 s.

7.3.1.4 The set of burets for the reference and standardization fuels shall be installed in such a manner and be supplied with fluids such that all components of each batch or blend are dispensed at the same temperature.

7.3.1.5 See Appendix X2 for volumetric reference fuel dispensing system information.

7.3.2 *Volumetric Blending of Tetraethyllead*—A calibrated buret, pipette assembly, or other liquid dispensing apparatus having a capacity of not more than 4.0 mL and a critically controlled volumetric tolerance shall be used for dispensing dilute tetraethyllead into 400 mL batches of *isooctane*. Calibration of the dispensing apparatus shall be verified in accordance with Practice E542.

7.3.3 *Gravimetric Blending of Reference Fuels*—Use of blending systems that allow preparation of the volumetrically-defined blends by gravimetric (mass) measurements based on the density of the individual components is also permitted, provided the system meets the requirement for maximum 0.2 % blending tolerance limits.

7.3.3.1 Calculate the mass equivalents of the volumetrically-defined blend components from the densities of the individual components at 15.56 °C (60 °F).

7.4 *Auxiliary Apparatus*:

7.4.1 *Special Maintenance Tools*—A number of specialty tools and measuring instruments should be utilized for easy, convenient, and effective maintenance of the engine and testing equipment. Lists and descriptions of these tools and instruments are available from the manufacturer of the engine equipment and those organizations offering engineering and service support for this test method.

7.4.2 *Ventilation Hoods*—Handling of reference and standardization fuels, dilute tetraethyllead, and sample fuels having various hydrocarbon compositions is best conducted in a well ventilated space or in a laboratory hood where air movement across the area is sufficient to prevent operator inhalation of vapors.

7.4.2.1 General purpose laboratory hoods are typically effective for handling hydrocarbon fuel blending.¹⁰

7.4.2.2 A blending hood meeting the requirements for dispensing toxic material shall be utilized in testing laboratories that choose to prepare leaded *isooctane* PRF blends on-site.

8. Reagents and Reference Materials

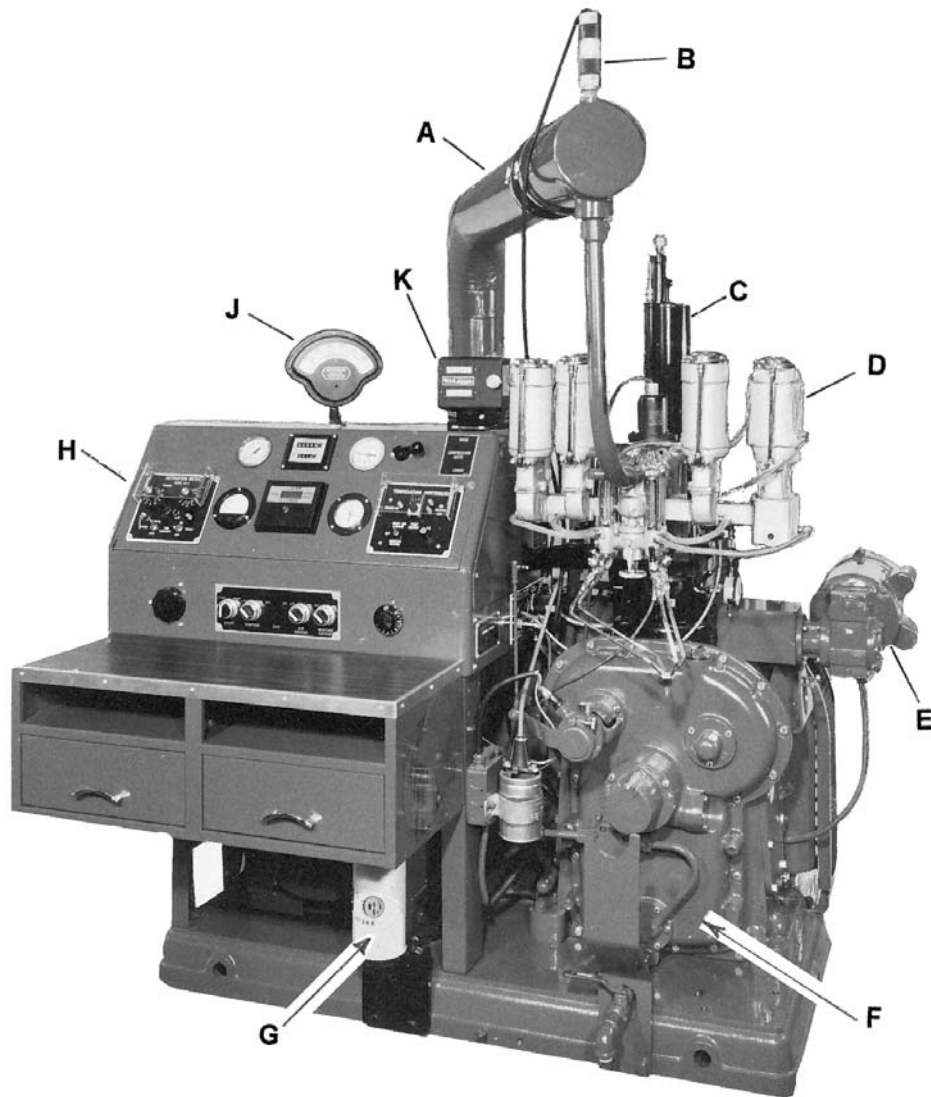
8.1 *Cylinder Jacket Coolant*—Water shall be used in the cylinder jacket for laboratory locations where the resultant boiling temperature shall be 100 °C \pm 1.5 °C (212 °F \pm 3 °F). Water with commercial glycol-based antifreeze added in sufficient quantity to meet the boiling temperature requirement shall be used when laboratory altitude dictates. A commercial multifunctional water treatment material should be used in the coolant to minimize corrosion and mineral scale that can alter heat transfer and rating results.

8.1.1 Water shall be understood to mean reagent water conforming to Type IV, Specification D1193. (**Warning**—Ethylene glycol based antifreeze is poisonous and may be harmful or fatal if inhaled or swallowed. See Annex A1.)

8.2 *Engine Crankcase Lubricating Oil*—An SAE 30 viscosity grade oil meeting the current API service classification for spark-ignition engines shall be used. It shall contain a detergent additive and have a kinematic viscosity from 9.3 mm² per s (cSt) to 12.5 mm² per s (cSt) at 100 °C (212 °F) and a viscosity index of not less than 85. Oils containing viscosity index improvers shall not be used. Multigraded oils shall not be used. (**Warning**—Lubricating oil is combustible and its vapor is harmful. See Annex A1.)

8.3 *Primary Reference Fuels*, *isooctane* and normal heptane classified as reference fuel grade shall meet the specifications

¹⁰ Refer to *Industrial Ventilation Manual*, published by the American Conference of Governmental Industrial Hygienists, Cincinnati, OH.



A—Air humidifier tube
 B—Intake air heater
 C—Coolant condenser
 D—Four bowl carburetor
 E—C.R. change motor
 F—CFR-48 crankcase

G—Oil Filter
 H—Ignition Detonation meter
 J—Analog Knockmeter
 K—C.R. digital counter
 L—Digital Detonation Meter

FIG. 1 Motor Method Test Engine Assembly

TABLE 1 General Rating Unit Characteristics and Information

| Item | Description |
|-------------------------------|---|
| Test Engine | CFR F-2 Motor Method Octane Rating Unit with cast iron, box type crankcase with flywheel connected by V-belts to power absorption electrical motor for constant speed operation |
| Cylinder Type | Cast iron with flat combustion surface and integral coolant jacket |
| Compression Ratio | Adjustable 4:1 to 18:1 by cranked worm shaft and worm wheel drive assembly in cylinder clamping sleeve |
| Cylinder Bore (Diameter), in. | 3.250 (Standard) |
| Stroke, in. | 4.50 |
| Displacement, cu in. | 37.33 |
| Valve Mechanism | Open rocker assembly with linkage for constant valve clearance as C.R. changes |
| Intake Valve | Stellite faced, with 180° shroud |
| Exhaust Valve | Stellite faced, plain type without shroud |
| Piston | Cast iron, flat top |
| Piston Rings | |
| Top Compression Ring | 1 chrome plated or ferrous, straight sided |
| Other Compression Rings | 3 ferrous, straight sided |
| Oil Control | 1 cast iron, one piece, slotted (Type 85) |
| Camshaft Overlap, degrees | 5 |
| Fuel System | |
| Carburetor | Single vertical jet and fuel flow control to permit adjustment of fuel-air ratio |
| Venturi Throat Diameter, in. | Dependent on installation altitude |
| | 1/16 ; sea level to 500 m (1600 ft) |
| | 19/32 ; 500 m to 1000 m (3300 ft) |
| | 3/4 ; over 1000 m (3300 ft) |
| Ignition | Electronically triggered condenser discharge through coil to spark plug |
| Ignition Timing | Variable as cylinder height (C.R.) is changed |
| Intake Air Humidity | Controlled within specified limited range |
| Knock Measurement System | |
| Detonation Pickup | Pressure-sensitive, magnetostrictive core rod and coil |
| Detonation meter | Integrated electronic filter with adjustable gain and zero offset |

that follow: (**Warning**—PRF is flammable and its vapors are harmful. Vapors may cause flash fire. See [Annex A1](#).)

8.3.1 *Isooctane* (2,2,4-trimethylpentane) shall be no less than 99.75 % by volume pure, contain no more than 0.10 % by volume *n*-heptane, and contain no more than 0.5 mg/L (0.002 g/U.S. gal) of lead.¹¹ (**Warning**—*Isooctane* is flammable and its vapors are harmful. Vapors may cause flash fire. See [Annex A1](#).)

8.3.2 *n*-heptane shall be no less than 99.75 % by volume pure, contain no more than 0.10 % by volume *isooctane*, and contain no more than 0.5 mg/L (0.002 g/U.S. gal) of lead.¹¹ (**Warning**—*n*-heptane is flammable and its vapors are harmful. Vapors may cause flash fire. See [Annex A1](#).)

8.3.3 80 octane PRF blend prepared using reference fuel grade *isooctane* and *n*-heptane shall contain 80 ± 0.1 % by volume *isooctane*.¹² (**Warning**—80 octane PRF is flammable and its vapors are harmful. Vapors may cause flash fire. See [Annex A1](#).)

8.3.4 Refer to [Annex A3](#) for octane numbers of various blends of 80 octane PRF and either *n*-heptane (see [Table A3.1](#)) or *isooctane* (see [Table A3.2](#)).

8.4 *Dilute Tetraethyllead*,¹³ (commonly referred to as TEL Dilute Volume Basis) is a prepared solution of aviation mix tetraethyllead antiknock compound in a hydrocarbon diluent of 70 % (V/V) xylene, 30 % (V/V) *n*-heptane. (**Warning**—Dilute tetraethyllead is poisonous and flammable. It may be harmful or fatal if inhaled, swallowed, or absorbed through the skin. May cause flash fire. See [Annex A1](#).)

8.4.1 The fluid shall contain 18.23 ± 0.05 % (m/m) tetraethyllead and have a relative density 15.6/15.6 °C (60/60 °F) of 0.957 to 0.967. The typical composition of the fluid, excluding the tetraethyllead, is as follows:

¹¹ Hydrocarbon composition shall be determined in accordance with Test Method [D2268](#). Lead contamination shall be determined in accordance with IP 224/02.

¹² The supplier verifies that the blend contains by volume, 80 % *isooctane*, 20 % *n*-heptane using capillary gas chromatography and analytical calculations.

¹³ Dilute tetraethyllead is available from Ethyl Corporation, 330 S. Fourth St., Richmond, VA 23219-4304; or from The Associated Ocel Company, Ltd., 23 Berkeley Square, London, England W1X 6DT.

| Ingredient | Typical Concentration, % (m/m) |
|--------------------------------|-----------------------------------|
| Ethylene dibromide (scavenger) | 10.6 |
| Diluent: | |
| xylene | 52.5 |
| <i>n</i> -heptane | 17.8 |
| Dye, antioxidant and inerts | 0.87 |

8.4.2 Add dilute tetraethyllead, in mL quantities, to a 400 mL volume of *isooctane* to prepare PRF blends used for ratings over 100 O.N. The composition of the dilute fluid is such that when 2.0 mL are added to 400 mL of *iso octane*, the blend shall contain the equivalent of 2.0 mL of lead/U.S. gal (0.56 g of lead/L).^{9,14}

8.4.3 Refer to **Annex A3** for octane numbers of blends of tetraethyllead *isooctane* (see **Table A3.3**).

8.4.4 An alternative to blending with dilute tetraethyllead is to prepare leaded PRF from *isooctane*+6.0 mL TEL per U. S. gallon and *isooctane* (see **Table A3.4**).

8.5 *Toluene, Reference Fuel Grade*⁹ shall be no less than 99.5 % by volume pure. Peroxide number shall not exceed 5 mg per kg (ppm). Water content shall not exceed 200 mg per kg.¹⁵ (**Warning**—Toluene is flammable and its vapors are harmful. Vapors may cause flash fire. See **Annex A1**.)

NOTE 1—Experience has shown that Toluene exposed to atmospheric moisture (humidity) can absorb water. Test Methods **D6304** or **E1064** may be utilized to measure the water content of the Toluene. Options to help manage or control the Toluene moisture levels include installing an inline air filter/dryer on the drum vent, installing a nitrogen purge on the drum, and the use of dryer desiccant beads, etc.

8.5.1 Antioxidant shall be added by the supplier at a treat rate suitable for good long term stability as empirically determined with the assistance of the antioxidant supplier.

8.6 Check Fuels are in-house typical spark-ignition engine fuels having selected O.N. values, low volatility, and good long term stability. (**Warning**—Check Fuel is flammable and its vapors are harmful. Vapors may cause flash fire. See **Annex A1**.)

9. Sampling

9.1 Samples shall be collected in accordance with Practices **D4057**, **D4177**, and **D5842**.

9.2 *Sample Temperature*—Samples shall be cooled to a temperature of 2 °C to 10 °C (35 °F to 50 °F), in the container in which they are received, before the container is opened.

9.3 *Protection from Light*—Collect and store sample fuels in an opaque container, such as a dark brown glass bottle, metal can, or a minimally reactive plastic container to minimize exposure to UV emissions from sources such as sunlight or fluorescent lamps.

¹⁴ The sole source of supply of premixed PRF blends of *isooctane* containing specific amounts of tetraethyllead known to the committee at this time is Chevron Phillips Chemical Company LP, 1301 McKinney, Suite 2130, Houston, TX 77010-3030.

¹⁵ Toluene purity is determined by subtracting the sum of the hydrocarbon impurities and water content from 100 %. Determine the hydrocarbon impurities by Test Method **D2360**. Determine water content by Test Method **D6304** or **E1064**. Peroxide Number shall be determined in accordance with Test Method **D3703**.

10. Basic Engine and Instrument Settings and Standard Operating Conditions

10.1 *Installation of Engine Equipment and Instrumentation*—Installation of the engine and instrumentation requires placement of the engine on a suitable foundation and hook-up of all utilities. Engineering and technical support for this function is required, and the user shall be responsible to comply with all local and national codes and installation requirements.

10.1.1 Proper operation of the CFR engine requires assembly of a number of engine components and adjustment of a series of engine variables to prescribed specifications. Some of these settings are established by component specifications, others are established at the time of engine assembly or after overhaul, and still others are engine running conditions that must be observed or determined by the operator during the testing process.

10.2 Conditions Based on Component Specifications:

10.2.1 *Engine Speed*—900 r/min \pm 9 r/min, when the engine is firing, with a maximum variation of 9 r/min occurring during a rating. Engine speed, while firing, shall not be more than 3 r/min greater than when it is motoring without combustion.

10.2.2 *Indexing Flywheel to Top-Dead-Center (tdc)*—With the piston at the highest point of travel in the cylinder, set the flywheel pointer mark in alignment with the 0° mark on the flywheel in accordance with the instructions of the manufacturer.

10.2.3 *Valve Timing*—The engine uses a four-stroke cycle with two crankshaft revolutions for each complete combustion cycle. The two critical valve events are those that occur near tdc; intake valve opening and exhaust valve closing. See **Annex A2** for camshaft timing and valve lift measurement procedures.

10.2.3.1 Intake valve opening shall occur 10.0° \pm 2.5° after-top-dead-center (atdc) with closing at 34° after-bottom-dead-center (abdc) on one revolution of the crankshaft and flywheel.

10.2.3.2 Exhaust valve opening shall occur 40° before-bottom-dead-center (bbdc) on the second revolution of the crankshaft or flywheel, with closing at 15.0° \pm 2.5° atdc on the next revolution of the crankshaft and flywheel.

10.2.4 *Valve Lift*—Intake and exhaust cam lobe contours, while different in shape, shall have a contour rise of 6.248 mm to 6.350 mm (0.246 in. to 0.250 in.) from the base circle to the top of the lobe. The resulting valve lift shall be 6.045 mm \pm 0.05 mm (0.238 in. \pm 0.002 in.). See **Annex A2** for camshaft timing and valve lift measurement procedures.

10.2.5 *Intake Valve Shroud*—The intake valve has a 180° shroud or protrusion just inside the valve face to direct the incoming fuel-air charge and increase the turbulence within the combustion chamber. This valve stem is drilled for a pin, which is restrained in a valve guide slot, to prevent the valve from rotating and thus maintain the direction of swirl. The valve shall be assembled in the cylinder, with the pin aligned in the valve guide, so that the shroud is toward the spark plug side of

the combustion chamber and the swirl is directed in a counterclockwise direction if it could be observed from the top of the cylinder.

10.2.6 *Carburetor Venturi*—The venturi throat size is dependent on the altitude of the location where the CFR engine is installed. Select the proper venturi in accordance with [Table 2](#).

10.2.6.1 For CFR engines located at altitudes close to where venturi size is designated to change, select whichever venturi size results in minimum bias when rating TSF blends in accordance with the requirements of [Section 12](#).

10.3 *Assembly Settings and Operating Conditions:*

10.3.1 *Direction of Engine Rotation*—Clockwise rotation of the crankshaft when observed from the front of the engine.

10.3.2 *Valve Clearances:*

10.3.2.1 *Engine Running and Hot*—The clearance for both intake and exhaust valves shall be set to 0.20 mm ± 0.025 mm (0.008 in. ± 0.001 in.), measured under standard operating conditions with the engine running at equilibrium conditions on a 90 O.N. PRF blend.

10.3.3 *Oil Pressure*—172 kPa to 207 kPa (25 psi to 30 psi). See [Annex A2](#), for the procedure to adjust crankcase lubricating oil pressure.

10.3.4 *Oil Temperature*—57 °C ± 8 °C (135 °F ± 15 °F).

10.3.5 *Cylinder Jacket Coolant Temperature*—100 °C ± 1.5 °C (212 °F ± 3 °F) constant within ±0.5 °C (±1 °F) when CR or KI results used for octane determination on each fuel are recorded.

10.3.6 *Intake Air Temperature*—38 °C ± 2.8 °C (100 °F ± 5 °F).

10.3.6.1 Temperature measurement systems used to establish the Intake Air Temperature in this test method shall exhibit the same temperature indicating characteristics and accuracy as the ASTM Type 83C (83F) thermometer installed at the orifice provided using the manufacturer’s prescribed fitting.

10.3.6.2 To ensure the correct temperature is indicated the temperature measurement system shall be installed in accordance with the instructions provided for this specific application.

10.3.7 *Intake Mixture Temperature*—149 °C ± 1 °C (300 °F ± 2 °F) maintained within 1 °C (±2 °F) when CR or KI results used for octane determination on each fuel are collected. If intake MIXT tuning is used to qualify the engine as fit-for-use, the temperature selected shall be between 141 °C (285 °F) and 163 °C (325 °F) and this temperature shall then be maintained within ±1 °C (±2 °F) when the CR or KI results used for octane determination on each fuel are recorded.

10.3.7.1 The intake MIXT required to qualify the engine in each TSF blend O.N. range shall also be used for rating all sample fuels in that O.N. range during an operating period.

10.3.7.2 Temperature measurement systems used to establish the Intake Mixture Temperature in this test method shall exhibit the same temperature indicating characteristics and accuracy as the ASTM 86C (86F) thermometer installed at the orifice provided using the manufacturer’s prescribed fitting.

10.3.7.3 To ensure the correct temperature is indicated the temperature measurement system shall be installed in accordance with the instructions provided for this specific application.

10.3.8 *Intake Air Humidity*—0.00356 kg to 0.00712 kg water per kg (25 grains to 50 grains of water per lb) of dry air.

NOTE 2—The humidity specification is based upon the original ice tower. If air conditioning equipment is used, it may not supply air within the specification if the ambient relative humidity is excessively high or too low. The equipment manufacturers should be consulted to verify the effective working range.

10.3.9 *Cylinder Jacket Coolant Level:*

10.3.9.1 *Engine Stopped and Cold*—Treated water/coolant added to the cooling condenser: Cylinder jacket to a level just observable in the bottom of the condenser sight glass will typically provide the controlling engine running and hot operating level.

10.3.9.2 *Engine Running and Hot*—Coolant level in the condenser sight glass shall be within ±1 cm (±0.4 in.) of the LEVEL HOT mark on the coolant condenser.

10.3.10 *Engine Crankcase Lubricating Oil Level:*

10.3.10.1 *Engine Stopped and Cold*—Oil added to the crankcase so that the level is near the top of the sight glass will typically provide the controlling engine running and hot operating level.

10.3.10.2 *Engine Running and Hot*—Oil level shall be approximately mid-position in the crankcase oil sight glass.

10.3.11 *Crankcase Internal Pressure*—As measured by a gauge, pressure sensor, or manometer connected to an opening to the inside of the crankcase through a snubber orifice to minimize pulsations, the pressure shall be less than zero (a vacuum) and is typically from 25 mm to 150 mm (1 in. to 6 in.) of water less than atmospheric pressure. Vacuum shall not exceed 255 mm (10 in.) of water.

10.3.12 *Exhaust Back Pressure*—As measured by a gauge or manometer connected to an opening in the exhaust surge tank or main exhaust stack through a snubber orifice to minimize pulsations, the static pressure should be as low as possible, but shall not create a vacuum nor exceed 255 mm (10 in.) of water differential in excess of atmospheric pressure.

10.3.13 *Exhaust and Crankcase Breather System Resonance*—The exhaust and crankcase breather piping systems shall have internal volumes and be of such length that gas resonance does not result. See [Appendix X3](#) for a suitable procedure to determine if resonance exists.

10.3.14 *Belt Tension*—The belts connecting the flywheel to the absorption motor shall be tightened, after an initial break-in, so that with the engine stopped, a 2.25 kg (5 lb) weight suspended from one belt halfway between the flywheel and motor pulley shall depress the belt approximately 12.5 mm (0.5 in.).

10.3.15 *Basic Rocker Arm Carrier Adjustment:*

TABLE 2 Carburetor Venturi Size for Various Laboratory Elevations

| Altitude at Engine Location, ft (m) | Venturi Throat Diameter, in. (mm) | Typical Barometric Pressure Range, in. Hg (kPa) |
|-------------------------------------|-----------------------------------|---|
| Sea level to 1600 (500) | 5/16 (14.3) | 31.0 to 28.0 (105.0 to 94.8) |
| 1600 to 3300 (500 to 1000) | 19/32 (15.1) | 29.0 to 26.0 (98.2 to 88.0) |
| Higher than 3300 (1000) | 3/4 (19.1) | 27.0 and less (91.4 and less) |

10.3.15.1 *Basic Rocker-Arm Carrier Support Setting*—For exposed valve train applications, each rocker arm carrier support shall be threaded into the cylinder so that the distance between the machined surface of the cylinder and the underside of the fork is 31 mm (1 7/32 in.). For enclosed valve train applications, each rocker arm carrier support shall be threaded into the cylinder so that the distance between the top machined surface of the valve tray and the underside of the fork is 19 mm (3/4 in.).

10.3.15.2 *Basic Rocker Arm Carrier Setting*—With the cylinder positioned so that the distance between the underside of the cylinder and the top of the clamping sleeve is approximately 16 mm (5/8 in.), the rocker arm carrier shall be set horizontal before tightening the bolts that fasten the long carrier support to the clamping sleeve.

10.3.15.3 *Basic Rocker Arm Setting*—With the engine on tdc on the compression stroke, and the rocker arm carrier set at the basic setting, set the valve adjusting screw to approximately the mid-position in each rocker arm. Then adjust the length of the push rods so that the rocker arms shall be in the horizontal position.

10.3.16 *Basic Spark Setting*—26° btdc at a critical cylinder height, uncompensated for barometric pressure and indicated as a digital counter reading of 264 or a dial indicator reading of 0.825 in.

10.3.16.1 The digital timing indicator currently supplied with CFR engine units, or the graduated spark quadrant formerly supplied, shall be in proper working order and calibrated so that the time of ignition is correctly displayed with reference to the engine crankshaft.

10.3.16.2 *Basic Ignition Timer Control Arm Setting*—Adjust and set the length of the ignition control rod so that the centerline of the ignition control arm shall be horizontal at the specified cylinder height uncompensated for barometric pressure.

10.3.16.3 *Ignition Timer Basic Transducer to Rotor Vane Gap Setting*—0.08 mm to 0.13 mm (0.003 in. to 0.005 in.).

10.3.16.4 *Basic Spark Setting*—With the engine running and firing, position the ignition timer in the ignition timer control arm so that ignition occurs at 26° btdc as displayed on the digital timing indicator or spark quadrant. Tighten the control arm knurled clamping screw.

10.3.16.5 *Automatic Change Spark Timing Adjustment*—As cylinder height is adjusted during the determination of O.N., the spark timing is automatically changed and shall provide the characteristic given in [Table 3](#).

10.3.17 *Spark Plug*—Champion D16, or equivalent.

10.3.17.1 *Gap*—0.51 mm ± 0.13 mm (0.020 in. ± 0.005 in.).

10.3.18 *Basic Cylinder Height Setting*—Thoroughly warm up the engine under essentially standard operating conditions. Shut the unit down, and check that the ignition is turned off and fuel cannot enter the combustion chamber. Install a calibrated compression pressure gauge assembly on the engine, motor the engine, and adjust the cylinder height so that the unit produces

TABLE 3 Variation in Spark Timing As Cylinder Height is Changed

| Cylinder Height Digital Counter Reading (Uncompensated) | Cylinder Height Dial Indicator Reading (Uncompensated) | Spark Timing, °btdc |
|---|--|---------------------|
| 264 | 0.825 | 26 |
| 337 | 0.773 | 25 |
| 410 | 0.721 | 24 |
| 484 | 0.669 | 23 |
| 556 | 0.617 | 22 |
| 630 | 0.565 | 21 |
| 704 | 0.513 | 20 |
| 777 | 0.461 | 19 |
| 851 | 0.408 | 18 |
| 925 | 0.356 | 17 |
| 998 | 0.304 | 16 |
| 1072 | 0.252 | 15 |
| 1145 | 0.200 | 14 |

the basic compression pressure prescribed by the relationships of [Fig. 2](#), for the appropriate carburetor venturi and the prevailing barometric pressure.

10.3.18.1 Index the cylinder height measurement device(s) to the appropriate value uncompensated for barometric pressure, as follows:

Digital Counter Reading of 930
Dial Indicator Reading of 0.352 in.

10.3.18.2 Refer to [Annex A2](#) for a detailed cylinder height indexing procedure.

10.3.19 *Fuel-Air Ratio*—The fuel-air ratio (mixture proportion) for each sample fuel and PRF involved in the determination of an O.N. result shall be that which maximizes the K.I.

10.3.19.1 Fuel-air ratio is a function of the effective fuel level in the vertical jet of the standard carburetor assembly and is typically indicated as the fuel level in the appropriate carburetor sight glass.

10.3.19.2 The fuel level that produces maximum K.I. shall be from 0.7 in. to 1.7 in., referenced to the centerline of the venturi. If necessary, change the carburetor horizontal jet size (or equivalent restrictive orifice device) to satisfy the fuel level requirement.

10.3.19.3 The bracketing–dynamic equilibrium procedure requires a falling level reservoir assembly to vary fuel-air ratio at a constant rate from a rich to lean mixture. The cross sectional area of the reservoir determines the rate at which the fuel level falls. Within the range that establishes a fuel level for maximum K.I. in the carburetor vertical jet between 0.7 in. and 1.7 in. referenced to the centerline of the carburetor venturi, the cross sectional area of the reservoir shall be constant and not less than 3830 mm² (5.9 in.²).

10.3.20 *Carburetor Cooling*—Circulate coolant through the coolant passages of the carburetor whenever there is evidence of premature vaporization in the fuel delivery passages. Release of hydrocarbon vapors from the sample fuel can result in uneven engine operation or erratic K.I. reading and is usually indicated by bubble formation or abnormal fluctuation of the fuel level in the sight glass.

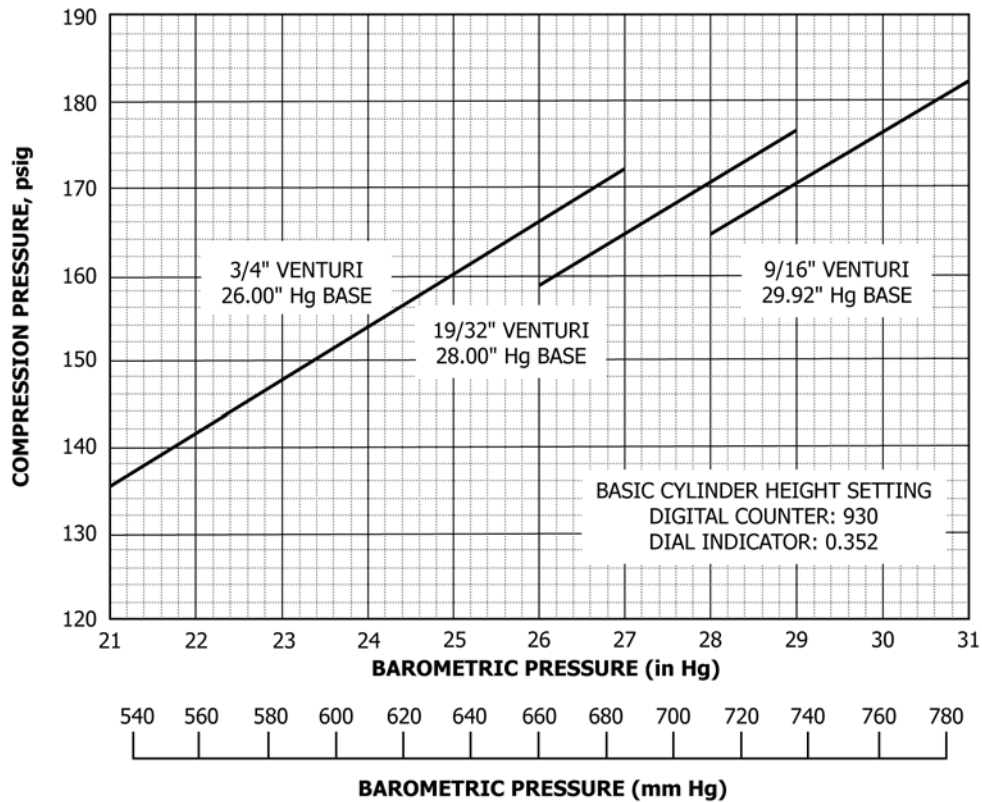


FIG. 2 Actual Compression Pressure for Setting Cylinder Height

10.3.20.1 *Coolant*—Water or a water/antifreeze mixture.

10.3.20.2 *Coolant Temperature*—The liquid coolant delivered to the carburetor coolant exchangers shall be cold enough to prevent excessive vaporization but not colder than 0.6 °C (33 °F) or warmer than 10 °C (50 °F).¹⁶

10.3.21 *Analog Instrumentation:*

10.3.21.1 *Analog Knockmeter Reading Limits*—The operational range for K.I. readings on the analog knockmeter shall be from 20 K.I. to 80. K.I. is a nonlinear characteristic below 20 and the analog knockmeter has the potential to be nonlinear above 80.

10.3.21.2 *Analog Detonation Meter Spread and Time Constant Settings*—Optimize these variables to maximize spread commensurate with reasonable K.I. signal stability. Refer to Procedure sections and Annex A2 for further details.

10.3.21.3 *Analog Knockmeter Needle Mechanical Zero Adjustment*—With the detonation meter power switch in the OFF position, and the meter switch in the ZERO position, set the knockmeter needle to zero using the adjusting screw provided on the knockmeter face.

10.3.21.4 *Analog Detonation Meter Zero Adjustment*—With the detonation meter power switch in the ON position, the meter switch in the ZERO position, the time constant switch on

3, and the meter reading and spread controls in their nominal operating positions, set the needle of the knockmeter to read zero using the detonation meter zero adjusting screw, which is to the left of the meter switch on the detonation meter and covered by a knurled cap.

10.3.22 *Digital Instrumentation:*

10.3.22.1 *Digital Knock Meter Reading Limits*—The operational range for K.I. readings on the digital knockmeter shall be from 0 K.I. to 999 K.I. and is linear throughout this range.

10.3.22.2 *Digital Detonation Meter Spread and Time Constant Settings*—Experience has shown that these variables can be left constant, and default values can be used. the default value for Spread on the Digital Detonation Meter can be left at 0, and the default value for Time Constant on the Digital Detonation Meter can be left at 35.

NOTE 3—The Digital Knockmeter does not have a zero adjustment, as it is a software-based device.

11. Test Variable Characteristics

11.1 *Cylinder Height Relationship to Octane Number*—Cylinder height, an indication of C.R., has a significant effect on fuels and their knocking characteristics. Every fuel has a critical C.R. at which knock begins to occur. As C.R. is increased above this critical threshold, the degree of knock, or severity of knock, increases. The Motor method of test compares sample fuels to PRF blends at a selected knock level

¹⁶ Supporting data have been filed at ASTM International Headquarters and may be obtained by requesting Research Report RR:D02-1006.

termed standard K.I. Guide tables of cylinder height versus O.N. have been empirically determined using PRF blends.¹⁷ They are based on the concept that the K.I. at all O.N. values is constant as detected by the knock measuring instrumentation. Because this test method utilizes three different carburetor venturi sizes, tables specific to each venturi size have been established. Fig. 3 illustrates the slightly nonlinear relationship between Motor O.N. and cylinder height expressed as digital counter reading. Specific guide tables in terms of both digital counter reading and dial indicator reading for each of the three carburetor venturi sizes are in Annex A4 (see Table A4.1 and Table A4.8).

11.2 *Barometric Pressure Compensation of Cylinder Height*—O.N. values determined by this test method are referenced to standard barometric pressure of 760 mm (29.92 in.) of Hg. Changes in barometric pressure affect the level of knock because the density of the air consumed by the engine is altered. To compensate for a prevailing barometric pressure that is different from standard, the cylinder height is offset so that the K.I. will match that of an engine at standard barometric pressure. For lower than standard barometric pressure conditions, the cylinder height is changed to increase the engine C.R. and thus the knocking level. For higher than standard barometric pressure conditions, the cylinder height is changed to lower C.R. The changes in either digital counter reading or dial indicator reading to compensate for barometric pressure are listed in Annex A4 (see Tables A4.9 and A4.10).

11.2.1 *Digital Counter Applications*—The digital counter has two indicating counters. The top counter is directly connected to the worm shaft, which rotates the worm wheel that raises or lowers the cylinder in the clamping sleeve. It is the uncompensated digital counter reading. The lower counter can be disengaged from the upper counter for the purpose of off-setting its reading and thus establish the differential or compensation for prevailing barometric pressure. With the

¹⁷ Detonation meter guide tables were generated by setting the cylinder height to the value for the former bouncing pin instrumentation value at 85 O.N. and then using that K.I. as the reference for determining the cylinder height required for PRF blends over the range from 40 to 100 O.N.

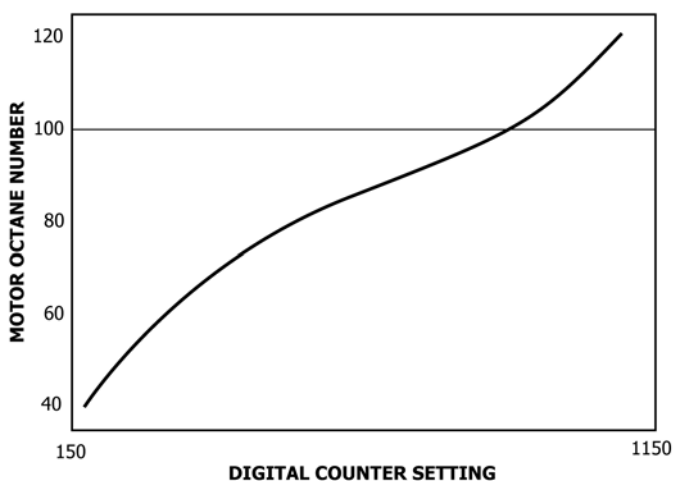


FIG. 3 Motor O.N. Versus Digital Counter Reading Characteristic

differential set, the two counters can be engaged to move together with the lower counter indicating the measure of cylinder height compensated to standard barometric pressure.

11.2.1.1 Digital counter readings decrease as cylinder height is raised and increase as cylinder height is lowered.

11.2.1.2 To index the digital counter unit, position the selector knob to any setting other than 1, change the cylinder height in the proper direction to compensate for the prevailing barometric pressure as given in Annex A4 (see Tables A4.9 and A4.10) so that the lower indicating counter is offset from the upper indicating counter by the amount of the compensation.

11.2.1.3 For barometric pressures lower than 760 mm (29.92 in.) of Hg, the lower indicating counter shall be less than the upper counter. For barometric pressures higher than 760 mm (29.92 in.) of Hg, the lower indicating counter shall be higher than the upper counter.

11.2.1.4 After adjusting to the correct counter readings, reposition the selector knob to 1 so that both indicating counters change when cylinder height changes are made. Check that the proper differential prevails as changes in cylinder height are made.

11.2.1.5 The lower indicating counter represents the measure of cylinder height at standard barometric pressure and is utilized for all comparisons with the values in the guide tables.

11.2.2 *Dial Indicator Applications*—The dial indicator is installed in a bracket on the side of the cylinder clamping sleeve so that the movable spindle contacts an anvil screw, positioned in a bracket mounted on the cylinder. As the cylinder is raised or lowered, the dial indicator reading measures the cylinder height in thousandths of an inch of travel. When indexed, the dial indicator reading is a measure of cylinder height for engines operating at standard barometric pressure. If the prevailing barometric pressure is other than 760 mm (29.92 in.) of Hg, correct the actual dial indicator reading so that it is compensated to standard barometric pressure. Compensated dial indicator readings apply whenever the reading is pertinent during the rating of sample fuels or when calibrating the engine using PRF blends.

11.2.2.1 Dial indicator readings decrease as cylinder height is lowered and increase as cylinder height is raised.

11.3 *Engine Calibration at the Guide Table Cylinder Height*—Calibrate the engine to produce standard K.I. at an O.N. level where sample fuels are expected to rate.

11.3.1 Prepare a PRF blend of the selected O.N. and introduce it to the engine.

11.3.2 Set the cylinder height to the appropriate guide table value (compensated for barometric pressure) for the O.N. of the PRF blend.

11.3.3 Determine the fuel level for maximum K.I.

11.3.4 Adjust the meter reading dial of the detonation meter so that the knockmeter reading is 50 ± 2 divisions.

11.4 *Fuel-Air Ratio Characteristic*—With the engine operating at a cylinder height that causes knock, variation of the fuel-air mixture has a characteristic effect, typical for all fuels. The peaking or maximizing knock characteristic is illustrated in Fig. 4. This test method specifies that each sample fuel and PRF shall be operated at the mixture condition that produces the maximum K.I. The CFR engine carburetor, utilizing a

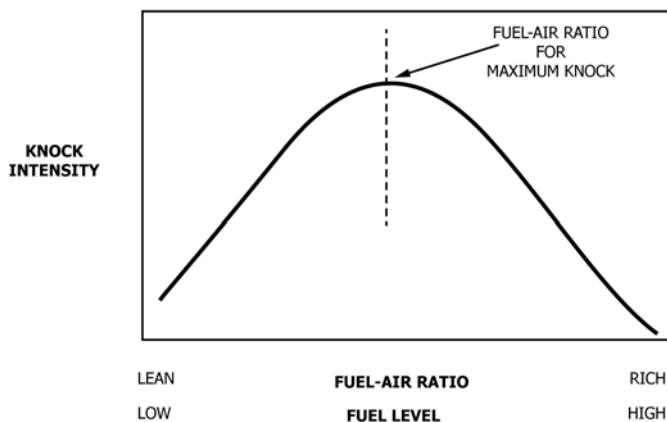


FIG. 4 Typical Effect of Fuel-Air Ratio on Knock Intensity

single vertical jet, provides a simple means to monitor a measure of fuel-air ratio using a sight glass that indicates the fuel level in the vertical jet. Fig. 5 illustrates the relationships of the components. Low fuel levels relate to lean mixtures and higher levels to rich mixtures. Fuel level changes are made to determine the level that produces the maximum knocking condition. To maintain good fuel vaporization, a restrictive orifice or horizontal jet is utilized so that the maximum knock condition occurs for fuel levels between 0.7 in. and 1.7 in. referenced to the centerline of the carburetor venturi. The mechanics for varying the fuel mixture can be accomplished using various approaches.

11.4.1 *Fixed Horizontal Jet-Variable Fuel Level System*—Fuel level adjustments are made by raising or lowering the float reservoir in incremental steps. Selection of a horizontal jet having the appropriate hole size establishes the fuel level at which a typical sample fuel achieves maximum knock.

11.4.2 *Fixed Fuel Level-Variable Orifice System*—A fuel reservoir, in which the fuel can be maintained at a prescribed constant level, supplies an adjustable orifice (special long-tapered needle valve) used in place of the horizontal jet. Fuel

mixture is changed by adjustment of the needle valve. Typically, the constant fuel level selected is near the 1.0 level, which satisfies the fuel level specification and also provides good fuel vaporization.

11.4.3 *Dynamic or Falling Level System*—A fuel reservoir, filled to a higher level than that required for maximum K.I., delivers fuel through either a fixed bore or adjustable horizontal jet. With the engine firing, the fuel level falls as fuel is consumed. Fuel level changes automatically at a specifically selected constant rate that is established by the cross-sectional area of the fuel reservoir and associated sight glass assembly. Maximum K.I. is recorded as the fuel level passes through the critical level.

11.4.4 *OA-Fixed Horizontal Jet-Variable Fuel Volume*—Fuel-air ratio adjustments are made by changing the amount of fuel delivered to the vertical jet. This is accomplished by varying the fuel delivery at a rate which ensures the K.I. reaches equilibrium with each change. Maximum K.I. is recorded as the fuel-air ratio passes through the critical region, either from a lean to rich, or a rich to lean condition.

12. Engine Standardization

12.1 *Unit Compliance*—Operate the properly commissioned knock test unit at temperature equilibrium and in compliance with the basic engine and instrument settings and standard operating conditions prescribed for this test method.

12.1.1 Operate the engine on fuel for approximately 1 h to ensure that all critical variables are stable. During the final 10 min of this warm-up period, operate the engine at a typical K.I. level.

12.2 *Fit-for-Use Qualification for Each Operating Period:*

12.2.1 Every sample fuel O.N. determination shall be performed using an engine that has been qualified as fit-for-use by rating the appropriate TSF blend.

12.2.2 Qualify the engine using the appropriate TSF blends in accordance with the following conditions:

12.2.2.1 At least once during each 12 h period of rating.

12.2.2.2 After an engine has been shut down for more than 2 h.

12.2.2.3 After an engine has been operated at non-knocking conditions for more than 2 h.

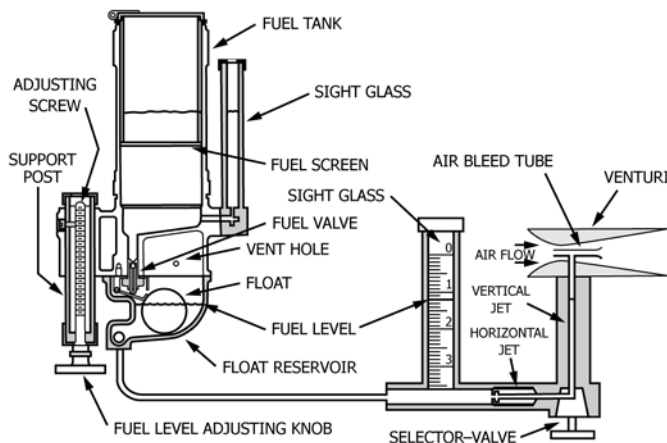
12.2.2.4 After a barometric pressure change of more than 0.68 kPa (0.2 in. Hg) from that reading made at the time of the previous TSF blend rating for the specific O.N. range.

12.2.3 When either bracketing procedure is utilized to determine the TSF blend rating, establish standard K.I. using a PRF blend whose whole O.N. is closest to that of the O.N. accepted reference value of the selected TSF blend.

12.2.4 When the bracketing procedure is utilized to determine the TSF blend rating, set the cylinder height, compensated for the prevailing barometric pressure, to the guide table value for the $O.N._{ARV}$ of the selected TSF blend.

12.2.5 When the compression ratio procedure is utilized to determine the TSF blend rating, first establish standard K.I. using the PRF blend whose whole O.N. is closest to that of the $O.N._{ARV}$ of the selected TSF blend.

12.3 *Fit-for-Use Procedure 79.6 to 94.7 O.N.:*



- Air flow through venturi is constant
- Raising fuel level richens F/A mixture
- Fuel level for maximum K.I. depends on horizontal jet size and fuel level
- Fuel level for maximum K.I. must be between 0.7 and 1.7
- Larger hole size in horizontal jet will lower maximum K.I. fuel level.

FIG. 5 CFR Engine Carburetor Assembly

12.3.1 Select the appropriate TSF blend(s) from **Table 4** that are applicable for the O.N.s of the sample fuel ratings tested or to be tested during the operating period.

12.3.2 Rate the TSF blend using the standard intake MIXT of 149 °C (300 °F).

12.3.2.1 It is permissible to start fit-for-use testing for a new operating period using approximately the same MIXT tuning adjustment applied for the previous operating period, if both conditions shown are met:

(1) The engine standardization during the last operating period required MIXT tuning for the last fit-for-use test.

(2) Maintenance has not taken place in the period between fit-for-use tests.

12.3.3 If the untuned TSF blend rating is within the untuned rating tolerances of **Table 4** for that TSF blend, the engine is fit for use to rate sample fuels within the applicable O.N. range. Intake MIXT tuning is not required.

12.3.4 If the untuned TSF blend rating is more than 0.1 O.N. from the O.N._{ARV} in **Table 4** for that TSF blend, it is permissible to adjust the intake MIXT slightly to obtain the O.N._{ARV} for that specific TSF blend.

12.3.5 If the untuned TSF blend rating is outside the untuned rating tolerance of **Table 4**, adjust the intake MIXT, within prescribed limits, to obtain the O.N._{ARV} for that specific TSF blend.

12.3.5.1 The tuned intake MIXT shall be no lower than 141 °C (285 °F) nor higher than 163 °C (325 °F).

NOTE 4—When using the analog detonation meter, a TSF blend rating change of 0.1 O.N. requires an intake mixture temperature adjustment of approximately 1 °C (2 °F). Increasing the temperature decreases the O.N.

NOTE 5—When using the digital detonation meter, a TSF blend rating change of 0.1 O.N. requires an intake mixture temperature adjustment of approximately 0.5 °C (1 °F). Increasing the temperature decreases the O.N.

12.3.5.2 If the temperature tuned TSF blend rating is within ± 0.1 O.N. of the O.N._{ARV} in **Table 4**, the engine is fit for use to rate sample fuels within the applicable O.N. range.

12.3.5.3 If the temperature tuned TSF blend rating is more than ±0.1 O.N. from the O.N._{ARV} in **Table 4**, the engine shall not be used for rating sample fuels having O.N. values within the applicable range until the cause is determined and corrected.

12.4 *Fit-for-Use Procedure—Below 79.6 and Above 94.7 O.N.:*

12.4.1 Select the appropriate TSF blend(s) from **Table 5** that are applicable for the O.N. values of the sample fuel ratings tested or to be tested during the operating period.

12.4.2 The rating tolerances of **Table 5** are determined by multiplying the standard deviation of the data that established the O.N._{ARV} of the TSF blend and a statistical tolerance limit factor *K* for normal distributions. Using the standard deviation values for the TSF blend data sets of 100 or more values and *K* = 1.5, it is estimated that in the long run, in 19 cases out of 20, at least 87 % of the test engines would rate the TSF blend within the rating tolerances listed in **Table 5**.

12.4.3 Rate the TSF blend using the standard intake MIXT of 149 °C (300 °F). Temperature tuning is not permitted for these O.N. levels.

12.4.4 If the TSF blend rating is within the rating tolerance, the engine is fit for use to rate sample fuels having O.N. values within the applicable range for that TSF blend.

12.4.5 If the TSF blend rating is outside the rating tolerance, conduct a comprehensive examination to determine the cause and required corrections. It is expected that some engines will rate outside the rating tolerance, at one or more of the O.N. levels, under standard operating conditions. Control records or charts of these TSF blend ratings can be helpful to demonstrate the ongoing performance characteristic of the unit.

13. Checking Engine Performance

13.1 Check Fuels:

13.1.1 While engine standardization is dependent solely on TSF blend determinations, rating Check Fuels can be done to determine the accuracy (lack of bias) of the engine.

13.1.1.1 Test Check Fuel(s).

13.1.1.2 Compare the octane rating obtained for the Check Fuel to the Check Fuel O.N._{ARV}.

13.1.1.3 Specifics for control chart set up and interpretation of the delta between the rating and the ARV value can be found in Practice **D6299**.

13.1.1.4 If an out-of-statistical control situation is detected, examine the engine system operation for assignable cause(s).

13.2 *Quality Control (QC Testing)*—Users should conduct a regular statistical quality control program to monitor the engine is in statistical control over time.

TABLE 4 TSF Blend O.N._{ARV}, Untuned Rating Tolerances and Sample Fuel Octane Number Range of Use^A

| TSF Blend M.O.N. ARV | Untuned Rating Tolerance | TSF Blend Composition, vol % | | | Use for Sample Fuel M.O.N. Range |
|----------------------|--------------------------|------------------------------|-----------|---------|----------------------------------|
| | | Toluene | Isooctane | Heptane | |
| 81.5 ^B | ±0.3 | 74 | 0 | 26 | 79.6–83.5 |
| 85.2 ^B | ±0.3 | 74 | 5 | 21 | 83.2–87.1 |
| 88.7 ^B | ±0.3 | 74 | 10 | 16 | 86.8–90.8 |
| 92.6 ^C | ±0.4 | 74 | 15 | 11 | 90.5–94.7 |

^A Request Research Reports RR:D02-1208 and RR:D02-1354 for M.O.N. accepted reference value (ARV) data.

^B M.O.N. accepted reference values determined by TCD93 worldwide program in 1993.

^C M.O.N. accepted reference values determined by National Exchange Group in 1986.

TABLE 5 TSF Blend O.N._{ARV}, Rating Tolerances and Sample Fuel Octane Number Range of Use^A

| TSF Blend M.O.N. ARV | Rating Tolerance | TSF Blend Composition, vol % | | | Use for Sample Fuel M.O.N. Range |
|----------------------|------------------|------------------------------|-----------|---------|----------------------------------|
| | | Toluene | Isooctane | Heptane | |
| 58.0 | ±1.1 | 50 | 0 | 50 | Below 62.3 |
| 66.9 | ±1.1 | 58 | 0 | 42 | 62.2–71.0 |
| 74.8 | ±1.0 | 66 | 0 | 34 | 70.7–76.7 |
| 78.2 | ±1.0 | 70 | 0 | 30 | 76.4–79.9 |
| ... | ... | ... | ... | ... | ... |
| 96.6 | ±1.2 | 74 | 20 | 6 | 94.4–98.4 |
| 99.8 ^B | ±0.9 | 74 | 24 | 2 | 98.1–100.0 |
| 100.8 | ±1.3 | 74 | 26 | 0 | Above 100.0 |

^A Request Research Report RR:D02-1208 for M.O.N. accepted reference value data.

^B M.O.N. accepted reference value determined by the National Exchange Group in 1986. M.O.N. accepted reference value for all other blends determined by the National Exchange Group and Institute of Petroleum in 1988/1989.

13.2.1 This test method suggests validating the engine system by the rating of a QC sample.

13.2.2 The QC sample is a typical spark ignition engine fuel having a motor octane number within the normal operating range of the engine.

13.2.2.1 Users are encouraged to assess the normal operating range and determine if multiple QC samples are required based upon the M.O.N. range of the samples typically rated.

13.2.3 Use appropriate control charts or other statistically equivalent techniques to assess the MON value. Control charts often used for this application are Individuals and Moving Range (I/MR).

13.2.4 Specifics for control chart set up and interpretation can be found in Practice [D6299](#).

13.2.5 If an out-of-statistical control situation is detected, examine the engine system operation for assignable cause(s).

PROCEDURE A

14. Bracketing—Equilibrium Fuel Level

14.1 Check that all engine operating conditions are in compliance and equilibrated with the engine running on a typical fuel at approximately standard K.I.

14.2 Perform engine fit-for-use testing utilizing a TSF blend applicable for the O.N. range in which sample fuels are expected to rate. If TSF blend temperature tuning is to be used, determine the proper intake MIXT required. Perform this rating in the same manner described below for a sample fuel except that the TSF blend shall be rated without carburetor cooling.

14.3 Establish standard K.I. by engine calibration using a PRF blend having an O.N. close to that of the sample fuels to be rated.

14.3.1 Set the cylinder height to the barometric pressure compensated value for the O.N. of the selected PRF.

14.3.2 When using the analog knockmeter, determine the fuel level for maximum K.I. and then adjust the detonation meter METER READING dial to produce a knockmeter reading of 50 ± 2 divisions. (No adjustment of the digital detonation meter is necessary.)

14.3.3 When using the analog knockmeter, check that detonation meter SPREAD is maximized commensurate with satisfactory knockmeter stability. (No adjustment of the digital detonation meter is necessary.)

14.3.4 Analog detonation meter spread set at 12 K.I. to 14 K.I. divisions per O.N. at the 90 O.N. level will typically provide suitably optimized spread settings for the range 80 O.N. to 103 O.N. without resetting. Refer to [Annex A2](#).

14.4 *Sample Fuel:*

14.4.1 Introduce the sample fuel to the carburetor, purge the fuel system, and if applicable, the sight glass and float reservoir by opening and then closing the sight glass drain valve several times and observing that there are no bubbles in the clear plastic tubing between the float reservoir and the sight glass. (**Warning**—Sample fuel is extremely flammable and its vapors are harmful if inhaled. Vapors may cause flash fire. See [Annex A1](#).)

14.4.2 Operate the engine on sample fuel.

14.4.3 Make a preliminary adjustment of the cylinder height.

14.4.3.1 For the analog detonation meter, adjust the cylinder height to cause a mid-scale knockmeter reading.

14.4.3.2 For the digital detonation meter, it is not necessary to establish a mid-scale knockmeter reading.

NOTE 6—The digital detonation meter will typically exhibit peak to peak voltages between 0.2 V and 0.3 V at standard knock intensity for O.N. < 100. For samples with O.N. > 100, the digital detonation meter will typically exhibit peak to peak voltages between 0.08 V and 0.18 V.

14.4.4 Determine the fuel level for maximum K.I. One approach is to first lower the fuel level (float reservoir assembly) and then raise it in small increments (0.1 sight glass divisions or less) until the knockmeter reading peaks and begins to fall off. Reset the float reservoir to the fuel level that produces the maximum knockmeter reading.

14.4.5 Make a second adjustment of the cylinder height.

14.4.5.1 For the analog detonation meter, adjust the cylinder height so that the knockmeter reading is 50 ± 2 divisions. (No adjustment of the digital detonation meter is necessary.)

14.4.5.2 For the analog detonation meter, when testing TSF blends (for which the rating is conducted at the guide table cylinder height setting for the ARV of the blend), it is permissible to adjust the detonation meter settings to obtain a knockmeter reading of 50 ± 2 divisions. (No adjustment of the digital detonation meter is necessary.)

14.4.6 Record the knockmeter reading. (For the digital panel, refer to manufacturer's operation manual for the appropriate computer command to record knockmeter readings.)

14.4.7 Observe the cylinder height reading, compensated to standard barometric pressure, and using the appropriate guide table, determine the estimated O.N. of the fuel sample.

14.5 *Reference Fuel No. 1:*

14.5.1 Prepare a fresh batch of a PRF blend that has an O.N. estimated to be close to that of the sample fuel.

14.5.2 Introduce Reference Fuel No. 1 to the engine and, if applicable, purge the fuel lines in the same manner as noted for the sample fuel.

14.5.3 Position the fuel-selector valve to operate the engine on Reference Fuel No. 1 and perform the step-wise adjustments required for determining the fuel level for maximum K.I.

14.5.4 Record the equilibrium knockmeter reading for Reference Fuel No. 1.

14.6 *Reference Fuel No. 2:*

14.6.1 Select another PRF blend that can be expected to result in a knockmeter reading that causes the readings for the two reference fuels to bracket that of the sample fuel.

14.6.2 The maximum permissible difference between the two reference fuels is dependent on the O.N. of the sample fuel. Refer to [Table 6](#).

14.6.3 Prepare a fresh batch of the second PRF blend.

14.6.4 Introduce Reference Fuel No. 2 to the engine and, if applicable, purge the fuel lines in the same manner as noted for the sample fuel.

14.6.5 Position the fuel-selector valve to operate the engine on Reference Fuel No. 2 and perform the required step-wise adjustments for determining the fuel level for maximum K.I.

TABLE 6 Permissible Bracketing PRF Blends

| O.N. Range of Sample Fuel | Permissible PRF Blends |
|---------------------------|--|
| 40 to 72 | Maximum Permissible O.N. Difference of 4.0 |
| 72 to 80 | Maximum Permissible O.N. Difference of 2.4 |
| 80 to 100 | Maximum Permissible O.N. Difference of 2.0 |
| 100.0 to 100.7 | Use only 100.0 and 100.7 O.N. PRF blends |
| 100.7 to 101.3 | Use only 100.7 and 101.3 O.N. PRF blends |
| 101.3 to 102.5 | Use only 101.3 and 102.5 O.N. PRF blends |
| 102.5 to 103.5 | Use only 102.5 and 103.5 O.N. PRF blends |
| 103.5 to 108.6 | Use only PRF blends 0.2 mL TEL/gal apart |
| 108.6 to 115.5 | Use only PRF blends 0.5 mL TEL/gal apart |
| 115.5 to 120.3 | Use only PRF blends 1.0 mL TEL/gal apart |

14.6.6 If the knockmeter reading for the sample fuel is bracketed by those of the two PRF blends, continue the test; otherwise try another PRF blend(s) until the bracketing requirement is satisfied.

14.6.7 Record the equilibrium knockmeter reading for Reference Fuel No. 2.

14.7 Repeat Readings:

14.7.1 Perform the necessary steps to obtain repeat knockmeter readings on the sample fuel, Reference Fuel No. 2, and finally Reference Fuel No. 1. For each fuel, be certain that the fuel level used is that for maximum K.I. and allow operation to reach equilibrium before recording the knockmeter readings. The fuel switching for the complete rating shall be as illustrated in Fig. 6.

14.7.2 Refer to Section 18 for detailed interpolation and calculation procedure.

14.7.3 The two knockmeter readings for the sample fuel and two for each of the PRF blends constitute a rating provided (1) the difference between the rating calculated from the first and second series of readings is no greater than 0.3 O.N., and, when using the analog detonation meter, (2) the average of the sample fuel knockmeter readings is between 45 and 55. (Condition (2) is not applicable for the digital detonation meter.)

14.7.4 If the first and second series of knockmeter readings do not meet the criteria, a third series of readings may be obtained. The fuel switching order for this set shall be sample fuel, Reference Fuel No. 1, and finally Reference Fuel No. 2. The second and third series of knockmeter readings shall then constitute a rating provided the difference between the rating calculated from the second and third series of readings is no greater than 0.3 O.N., and, when using the analog detonation meter, the average of the last two sample fuel knockmeter readings is between 45 and 55. (Condition (2) is not applicable for the digital detonation meter.)

14.8 Checking Guide Table Compliance:

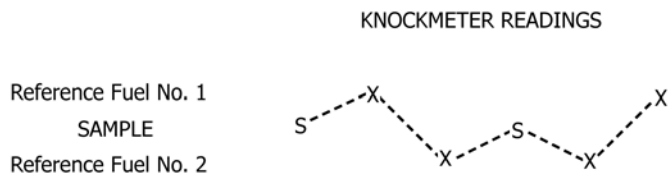


FIG. 6 Sample and Reference Fuel Reading Sequence

14.8.1 Check that the cylinder height, compensated for barometric pressure, used for the rating is within the prescribed limits of the applicable guide table value of cylinder height for the sample fuel O.N. At all O.N. levels, the digital counter reading shall be within ± 20 of the guide table value. The dial indicator reading shall be within ± 0.014 in. of the guide table value.

14.8.2 If the cylinder height of the sample fuel rating is outside the guide table limit, repeat the rating after readjustment of the detonation meter to obtain standard K.I. using a PRF blend whose O.N. is close to that of the sample fuel.

14.9 Special Instructions for Sample Fuel Ratings Above 100 O.N.:

14.9.1 Knock characteristics become more erratic and unstable at octane levels above 100 for several reasons. Careful attention to the setting and adjustment of all variables is required to ensure that the rating is representative of the sample fuel quality.

14.9.2 When using the analog knockmeter, if the sample fuel rating will be above 100 O.N., it is necessary to establish standard K.I. using an *isooctane* plus TEL PRF blend before sample fuel testing can continue. This may require more than one trial to select the appropriate leaded PRF (one of the two that bracket the sample fuel) and proper cylinder height. It will also necessitate adjustment of the detonation meter METER READING dial to obtain a knockmeter reading of approximately 50 divisions. If the rating is between 100.0 O.N. and 100.7 O.N., use the *isooctane* plus 0.05 mL TEL PRF to establish standard K.I. At the higher O.N. levels, either of the specified leaded PRF blends for the particular O.N. range may be used for this purpose.

14.9.2.1 When using the digital detonation knockmeter, if the sample fuel rating will be above 100 O.N., it is necessary to establish standard K.I. using an *isooctane* plus TEL PRF blend before sample fuel testing can continue. This may require more than one trial to select the appropriate leaded PRF (one of the two that bracket the sample fuel) and proper cylinder height. The digital detonation meter will typically exhibit peak to peak voltages of 0.08 to 0.18 when testing fuels with O.N. > 100. If the rating is between 100.0 O.N. and 100.7 O.N., use the *isooctane* plus 0.05 mL TEL PRF to establish standard K.I. At the higher O.N. levels, either of the specified leaded PRF blends for the particular O.N. range may be used for this purpose.

14.9.3 Refer to Table 6 when selecting the PRF blends for sample fuels that rate above 100 O.N. Use only the specified PRF pairs for sample fuels that rate in the O.N. ranges 100.0 to 100.7; 100.7 to 101.3; 101.3 to 102.5; and 102.5 to 103.5.

14.9.4 When using the analog detonation meter, check that detonation meter spread is maintained as large as possible despite the fact that knockmeter readings will vary considerably and make selection of an average reading tedious. (No adjustment of the digital detonation meter is necessary.)

14.10 In cases of dispute between results from the different procedures within this method, Procedure A shall be used as the referee procedure. The designation of Procedure A as the referee is not a tacit endorsement or recognition that this procedure is technically better than the other procedures.

PROCEDURE B

15. Bracketing—Dynamic Fuel Level:

15.1 *Applicable O.N. Rating Range*—This procedure shall only apply for ratings within the range from 80. O.N. to 100. O.N.

15.2 Check that all engine operating conditions are in compliance and equilibrated with the engine running on a typical fuel at approximately standard K.I.

15.3 Perform engine fit-for-use testing utilizing a TSF blend applicable for the O.N. range in which sample fuels are expected to rate. If TSF blend temperature tuning is to be used, determine the proper intake MIXT required. Perform this rating in the same manner described below for a sample fuel except that the TSF blend shall be rated without carburetor cooling.

15.4 Establish standard K.I. by engine calibration using a PRF blend having an O.N. close to that of the sample fuels to be rated.

15.4.1 Set the cylinder height to the barometric pressure compensated value for the O.N. of the midpoint of the PRF bracket.

15.4.2 When using the analog knockmeter, determine the fuel level for maximum K.I. and then adjust the detonation meter METER READING dial to produce a knockmeter reading of 50 ± 20 divisions. (No adjustment of the digital detonation meter is necessary.)

15.4.3 When using the analog knockmeter, check that detonation meter SPREAD is maximized commensurate with satisfactory knockmeter stability. (No adjustment of the digital detonation meter is necessary.)

15.4.4 When using the analog detonation meter, spread set at 12 K.I. to 14 K.I. divisions per O.N. at the 90 O.N. level will typically provide suitably optimized spread settings for the range 80 O.N. to 100 O.N. without resetting. Refer to [Annex A2](#). (No adjustment of the digital detonation meter is necessary.)

15.5 *Sample Fuel:*

15.5.1 Introduce the sample fuel to an empty fuel reservoir. Purge the fuel line, sight glass, and fuel reservoir by opening and then closing the sight glass drain valve several times and observing that there are no bubbles in the clear plastic tubing between the fuel reservoir and the sight glass. Top off the level so that the fuel level is at approximately 0.4 in the sight glass. Where experience demonstrates the critical maximum K.I. occurs near a specific fuel level, filling to a level 0.3 above the typical level is acceptable. (**Warning**—Sample fuel is extremely flammable and its vapors are harmful if inhaled. Vapors may cause flash fire. See [Annex A1](#).)

15.5.2 Position the fuel-selector valve to operate the engine on the sample fuel and observe that the fuel level begins to fall in the sight glass.

15.5.3 When applying this falling level technique, stop the sequence by switching to another fuel when the K.I. reading passes its maximum value and decreases approximately ten divisions. Closely monitor each falling fuel level sequence to ensure the engine is always supplied with fuel and that

knocking conditions prevail for a high proportion of rating time to maintain operating temperature conditions.

15.5.4 When using the analog detonation meter, if the K.I. reading falls outside 30 to 70, adjust the cylinder height to bring the engine close to the standard K.I. condition.

15.5.5 When using the digital detonation meter and rating fuels with O.N. < 100, if the peak to peak voltage falls outside the range of 0.20 to 0.40, adjust the cylinder height to bring the engine close to the standard K.I. condition. (The digital detonation meter will typically exhibit peak to peak voltages of 0.08 to 0.18 when testing fuels with O.N. > 100.)

NOTE 7—Proficiency in making this initial adjustment of cylinder height is achieved with experience.

15.5.6 Refill the fuel reservoir to the appropriate rich mixture sight glass level for each successive repetition of the trial-and-error process.

15.5.7 When using the analog detonation meter, after the cylinder height is approximately determined, it may be necessary to make a final adjustment to ensure that (1) the fuel level for maximum K.I. occurs at a sight glass level within the critical range from 0.7 in. to 1.7 in. and (2) the maximum K.I. reading is between 30 and 70 divisions. (Condition (2) is not necessary when using the digital detonation meter.

15.5.8 Record the maximum K.I. reading, or if a K.I. recorder is being used, mark the trace to indicate the sample identification and highlight the maximum reading.

15.5.9 Observe the cylinder height reading, compensated to standard barometric pressure, and using the appropriate guide table, determine the estimated O.N. of the sample fuel.

15.6 *Reference Fuel No. 1:*

15.6.1 Prepare a fresh batch of a PRF blend that has an O.N. estimated to be close to that of the sample fuel.

15.6.2 Introduce Reference Fuel No. 1 to one of the unused fuel reservoirs, taking care to purge the fuel line, sight glass, and fuel reservoir in the same manner as noted for the sample fuel.

15.6.3 Position the fuel-selector valve to operate the engine on Reference Fuel No. 1 and record, or mark the recorder tracing, to indicate the maximum K.I. reading that occurs as the fuel level falls. Care shall be taken to observe that the maximum K.I. condition occurs at a fuel level within the specified 0.7 in. to 1.7 in. range.

15.7 *Reference Fuel No. 2:*

15.7.1 Select another PRF blend that can be expected to result in a maximum K.I. reading that causes the readings for the two reference fuels to bracket that of the sample fuel.

15.7.2 The maximum permissible difference between the two reference fuels is dependent on the O.N. of the sample fuel. Refer to [Table 6](#).

15.7.3 Prepare a fresh batch of the selected PRF blend.

15.7.4 Introduce Reference Fuel No. 2 to one of the unused fuel reservoirs, taking care to purge the fuel line, sight glass, and fuel reservoir in the same manner as noted for the sample fuel.

15.7.5 Position the fuel-selector valve to operate the engine on Reference Fuel No. 2 and record, or mark the recorder tracing, to indicate the maximum K.I. reading which occurs as

the fuel level falls. Care shall be taken to observe that the maximum K.I. condition occurs at a fuel level within the specified 0.7 in. to 1.7 in. range.

15.7.6 If the maximum K.I. reading for the sample fuel is bracketed by those of the two reference fuel blends, continue the rating; otherwise try another reference fuel blend(s) until the bracketing requirement is satisfied.

15.8 Repeat Readings:

15.8.1 Perform the necessary steps to obtain repeat K.I. readings on the sample fuel, Reference Fuel No. 2, and finally Reference Fuel No. 1. The fuel switching for the complete rating shall be as illustrated in Fig. 6.

15.8.2 Refer to Section 18 for detailed interpolation and calculation procedure.

15.8.3 The two maximum K.I. readings for the sample fuel and two for each of the PRF blends constitute a rating provided (1) the difference between the rating calculated from the first and second series of readings is no greater than 0.3 O.N., and the (2) average of the sample fuel K.I. readings is between 30 and 70. (Condition (2) is not applicable for the digital detonation meter.)

15.8.4 If the first and second series of K.I. readings do not meet the criteria, a third series of readings may be obtained. The fuel switching order for this set shall be sample fuel, Reference Fuel No. 1, and finally Reference Fuel No. 2. The second and third series of maximum K.I. readings shall then constitute a rating provided the difference between the rating calculated from the second and third series of readings is no greater than 0.3 O.N., and the average of the last two sample fuel K.I. readings is between 30 and 70. (Condition (2) is not applicable for the digital detonation meter.)

15.9 Checking Guide Table Compliance:

15.9.1 Check that the cylinder height, compensated for barometric pressure, used for the rating is within the prescribed limits of the applicable guide table value of cylinder height for the sample fuel O.N. At all O.N. levels, the digital counter reading shall be within ± 20 of the guide table value. The dial indicator reading shall be within ± 0.014 in. of the guide table value.

15.9.2 If the cylinder height of the sample fuel rating is outside the guide table limit, repeat the rating after readjustment of the detonation meter to obtain standard K.I. using a PRF blend whose O.N. is close to that of the sample fuel.

PROCEDURE C

16. Compression Ratio

16.1 *Cylinder Height Measurement*—This procedure shall be used only if the CFR engine is equipped with a digital counter for measurement of cylinder height in order to maximize the resolution of the measurement of this primary variable.

16.2 *Applicable O.N. Rating Range*—This procedure shall only apply for ratings within the range from 80. O.N. to 100. O.N.

16.3 Check that all engine operating conditions are in compliance and equilibrated with the engine running on a typical fuel at approximately standard K.I.

16.4 Perform engine fit-for-use testing utilizing a TSF blend applicable for the O.N. range in which sample fuels are expected to rate. If TSF blend temperature tuning is to be used, determine the proper intake MIXT required. This rating shall be performed in the same manner described below for a sample fuel, except that the TSF blend shall be rated without carburetor cooling.

16.5 Establish standard K.I. by engine calibration using a PRF blend having an O.N. close to that of the sample fuels to be rated.

16.5.1 Set the cylinder height to the barometric pressure compensated value for the O.N. of the selected PRF.

16.5.2 Determine the fuel level for maximum K.I., adjust the detonation meter METER READING dial to produce a knockmeter reading of 50 ± 2 divisions, and record this value.

16.5.3 Check that detonation meter SPREAD is maximized commensurate with satisfactory knockmeter stability.

16.5.4 Detonation meter spread set to 12 K.I. to 14 K.I. divisions per O.N. at the 90 O.N. level will typically provide suitably optimized spread settings for the range 80 O.N. to 100 O.N. without resetting. Refer to Annex A2.

16.6 Sample Fuel:

16.6.1 Introduce the sample fuel to the carburetor, purge the fuel system, and if applicable, the sight glass and float reservoir by opening and then closing the sight glass drain valve several times and observing that there are no bubbles in the clear plastic tubing between the float reservoir and the sight glass. (**Warning**—Sample fuel is extremely flammable and its vapors are harmful if inhaled. Vapors may cause flash fire. See Annex A1.)

16.6.2 Operate the engine on sample fuel. If the engine knock changes drastically and results in either a very low or very high knockmeter reading, adjust cylinder height in the proper direction to reestablish a mid-scale knockmeter reading. This shift in O.N. level may require establishing standard K.I. with a different PRF blend whose O.N. can be estimated from the guide table for the cylinder height reading that has just been determined.

16.6.3 Adjust the cylinder height to cause a mid-scale knockmeter reading for the sample fuel.

16.6.4 Determine the fuel level for maximum K.I. One approach is to first lower the fuel level (float reservoir assembly) and then raise it in small increments (0.1 sight glass divisions or less) until the knockmeter reading peaks and begins to fall off. Reset the float reservoir to the fuel level that produces the maximum knockmeter reading.

16.6.5 Adjust the cylinder height so that the knockmeter reading is within ± 2 divisions of the standard K.I. reading recorded for the applicable PRF blend.

16.6.6 Allow equilibrium to occur, and if necessary, make any slight adjustment in cylinder height to obtain a valid standard K.I. reading. Do not extend the operating time beyond approximately 5 min as measured from the time at which the fuel level setting is finalized.

16.6.7 Upset engine equilibrium by opening the sight glass drain valve momentarily to cause the fuel level to fall and any trapped vapor bubbles to be removed. After closing the drain valve, observe that the knockmeter reading returns to the

previous value. If the knockmeter reading does not repeat within ± 1 division, readjust the cylinder height to obtain the standard K.I. value for the applicable PRF blend and when equilibrium is achieved, repeat the fuel level upset check for repeatability of readings.

16.6.8 Read and record the compensated digital computer reading.

16.6.9 Convert the compensated digital counter reading to O.N. using the appropriate guide table.

16.7 Repeat Reading:

16.7.1 Check standard K.I. by operation on the PRF blend at the compensated digital counter reading for the O.N. of this blend. If the knockmeter reading is within ± 3 divisions of the original reading, record the value and switch back to the sample fuel. If the knockmeter reading is outside the ± 3 division limit, standard K.I. must be reset before again rating the sample fuel.

16.7.2 Check the sample fuel by adjusting the cylinder height so that the knockmeter reading is within ± 2 divisions of the standard K.I. reading recorded for the PRF blend and convert the compensated digital counter reading to O.N. using the appropriate guide table.

16.7.3 The average of the two sample fuel O.N. results constitutes a rating provided the difference between them is no greater than 0.3 O.N.

16.8 Checking PRF Limit Compliance:

16.8.1 The average O.N. of the sample fuel is acceptable if it does not differ from the O.N. of the PRF used to establish standard K.I., by more than the value in Table 7.

16.8.2 When the O.N. difference between the sample fuel and the PRF exceeds the limits in Table 7, check standard K.I. using a new PRF whose O.N. is within the indicated limits. If the new PRF knockmeter reading, at the cylinder height for its O.N., is within 50 ± 1 divisions, the previously determined rating may be accepted. If not, perform a new engine calibration using the selected PRF and repeat the sample fuel rating.

16.9 Testing Sample Fuels of Similar O.N.:

16.9.1 If the O.N. values of several sample fuels are known to be similar, it is permissible to determine standard K.I. using an appropriate PRF, rate each of the sample fuels, and then check that the standard K.I. for the PRF is within ± 1 division of the initial value.

16.9.2 A check of standard K.I. shall, in any event, be made after every fourth sample fuel measurement.

PROCEDURE D

17. Bracketing–OA

17.1 Applicable O.N. Rating Range—This procedure shall apply for ratings within the range from 72. O.N. to 103.5 O.N.

TABLE 7 Maximum Sample Fuel O.N. Difference from Calibration PRF

| Sample Fuel O.N. | Maximum O.N. Difference Sample Fuel from PRF |
|------------------|--|
| 80 to 90 | 2.0 |
| 90 to 100 | 1.0 |

17.2 Check that all engine operating conditions are in compliance and equilibrated with the engine running on a typical fuel at approximately standard K.I.

17.3 Perform engine fit-for-use testing utilizing a TSF blend applicable for the O.N. range in which sample fuels are expected to rate. If TSF blend temperature tuning is to be used, determine the proper MIXT required. Perform this rating in the same manner described below for a sample fuel except that the TSF blend shall be rated without carburetor cooling.

17.4 Sample Fuel:

17.4.1 Spread is optimized by the computer control system.

17.4.2 Select two PRF blends that will bracket the expected octane number of the sample. One PRF should have an octane number that is greater than the sample and one should have an octane number less than the sample, such that the PRFs bracket the expected octane of the sample.

17.4.3 The maximum permissible difference between the two reference fuels is dependent on the O.N. of the sample fuel. Refer to Table 6.

17.5 Set the cylinder height between the barometric pressure compensated value for the O.N. of the selected PRFs.

17.6 Introduce the sample fuel and PRF blends to the carburetor, purge the fuel system, and if applicable, the sight glass and float reservoir by opening and then closing the drain valve several times and observing that there are no bubbles in the plastic tubing between the float reservoir, the sight glass and the fuel selector valve. (Warning—Sample fuel is extremely flammable and its vapors are harmful if inhaled. Vapors may cause flash fire. See Annex A1.)

17.7 Octane Measurement:

17.7.1 Provide initial pump settings for the determination of maximum knock. The OA will search for maximum knock from these initial settings. Care should be taken to ensure initial pump settings will produce adequate knock to allow maximum knock determination. Experience with the OA will help in setting initial pump settings.

17.7.1.1 The fuels shall be measured in the following sequence PRF, PRF and then the sample fuel.

17.7.2 Initiate octane determination sequence.

17.7.2.1 Review maximum knock curves and confirm they rise through maximum knock and fall as shown in Fig. 7, if

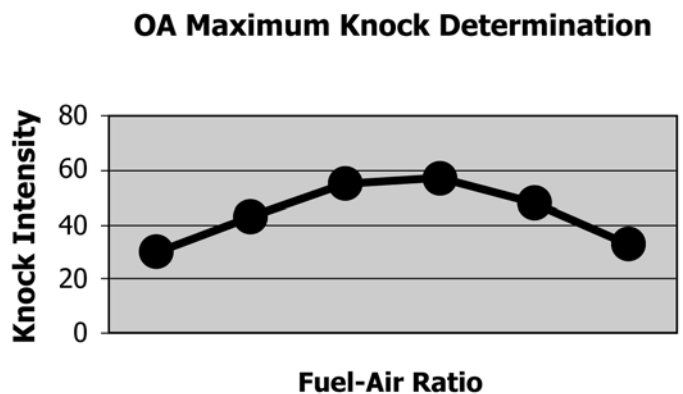


FIG. 7 Example of OA Knock Curve

they do not identify cause and repeat the analysis.

17.7.2.2 If the reading for the sample fuel is bracketed by those of the two PRF blends, continue with next set of determinations; otherwise try another PRF blend(s) until the bracketing requirement is satisfied.

17.7.3 Refer to 18 for the detailed interpolation and calculation procedure.

17.7.4 The average of the first and second determinations for the sample fuel constitute a rating provided (1) the difference between the rating calculated from the first and second series of determinations is no greater than 0.3 O.N. and (2) the OA demonstrates stability in the determination of maximum knock.

17.7.5 If the first and second series of octane determinations do not meet the criteria, obtain a third series of determinations.

17.7.6 The average of the second and third determinations for the sample fuel constitute a rating provided the difference between the rating calculated from the second and third series of determinations is no greater than 0.3 O.N.

17.8 Checking Guide Table Compliance:

17.8.1 Check that the cylinder height, compensated for barometric pressure, used for the rating is within the prescribed limits of the applicable guide table value of cylinder height for the sample fuel O.N. At all O.N. levels, the digital counter reading shall be within ± 20 of the guide table value. The dial indicator reading shall be within ± 0.014 in. of the guide table value.

17.8.2 If the cylinder height for the sample fuel rating is outside the guide table limit, repeat the rating after readjustment of the cylinder height to ensure compliance with the guide table value to the sample octane.

18. Calculation of O.N.—Bracketing Procedures

18.1 Calculate the average knockmeter readings for the sample fuel and each of the PRF blends.

18.2 Calculate the O.N. by interpolation of these average knockmeter readings proportioned to the O.N. values of the bracketing PRF blends in accordance with the example shown in Fig. 8 and Eq 4:

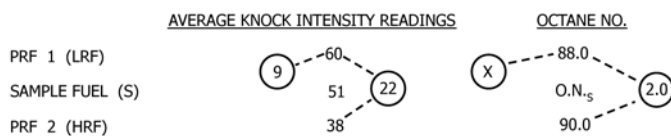
$$O.N._S = O.N._{LRF} + \left(\frac{K.I._{LRF} - K.I._S}{K.I._{LRF} - K.I._{HRF}} \right) (O.N._{HRF} - O.N._{LRF}) \quad (4)$$

where:

- O.N._S = octane number of the sample fuel,
- O.N._{LRF} = octane number of the low PRF,
- O.N._{HRF} = octane number of the high PRF,
- K.I._S = knock intensity (knockmeter reading) of the sample fuel,
- K.I._{LRF} = knock intensity of the low PRF, and
- K.I._{HRF} = knock intensity of the high PRF.

19. Report

19.1 Motor Octane Number of Spark-Ignition Engine Fuels:



$$O.N._S = O.N._{LRF} + \left(\frac{K.I._{LRF} - K.I._S}{K.I._{LRF} - K.I._{HRF}} \right) (O.N._{HRF} - O.N._{LRF})$$

$$= 88.0 + \left(\frac{60 - 51}{60 - 38} \right) (90.0 - 88.0)$$

$$O.N._S = 88.0 + (0.409) (2.0) = 88.82$$

NOTE 1—Circled values and the dashed lines represent the differences between the respective K.I. readings and O.N. values.

FIG. 8 Example of Octane Number Calculations

19.1.1 Report the calculated bracketing procedure or the C.R. procedure result as Motor O.N.

19.1.1.1 For ratings below 72.0 O.N., report the value to the nearest integer. When the calculated O.N. ends with a 0.50, round off to the nearest even number; for example, round 67.50 and 68.50 to 68 O.N.

19.1.1.2 For ratings from 72.0 through 103.5 O.N., report the value to the nearest tenth. When the calculated O.N. ends with exactly 5 in the second decimal place, round to the nearest even tenth number; for example, round 89.55 and 89.65 to 89.6 O.N.

19.1.1.3 For ratings above 103.5 O.N., report the value to the nearest integer. When the calculated O.N. ends with a 0.50, round off to the nearest even number; for example, round 105.50 and 106.50 to 106 O.N.

19.1.2 Report which procedure is used to determine the O.N.: bracketing—equilibrium fuel level, bracketing—dynamic fuel level, or compression ratio.

19.1.3 Report the engine room barometric pressure at the time of the rating.

19.1.4 Report the intake MIXT used.

19.2 Motor Octane Number and Aviation Method Rating of Aviation Spark-Ignition Engine Fuel:

19.2.1 Report the calculated rating result as Motor O.N. rounded to the nearest tenth.

19.2.1.1 Report the engine room barometric pressure at the time of the rating.

19.2.1.2 Report the intake MIXT used.

19.2.2 If it is desired to also report the Aviation method rating of the fuel, use the Motor O.N., rounded to the nearest tenth, and Table 8 to obtain the Aviation method rating. Round the converted value to the nearest tenth using the same rounding practice previously described. Report both the Motor O.N. and the corresponding Aviation method rating.

19.2.2.1 Report Aviation method ratings that are 100.0 or less as O.N.

TABLE 8 Conversion of Motor O.N. to Aviation Method Rating^{A,B,C}

| Motor Octane Number | 0.0 | 0.2 | 0.4 | 0.6 | 0.8 |
|---------------------|--------|--------|--------|--------|--------|
| 75 | 73.59 | 73.81 | 74.04 | 74.27 | 74.49 |
| 76 | 74.72 | 74.95 | 75.17 | 75.40 | 75.63 |
| 77 | 75.85 | 76.08 | 76.30 | 76.53 | 76.75 |
| 78 | 76.98 | 77.20 | 77.43 | 77.65 | 77.88 |
| 79 | 78.10 | 78.33 | 78.55 | 78.77 | 79.00 |
| 80 | 79.22 | 79.44 | 79.67 | 79.89 | 80.11 |
| 81 | 80.33 | 80.55 | 80.78 | 81.00 | 81.22 |
| 82 | 81.44 | 81.66 | 81.88 | 82.10 | 82.32 |
| 83 | 82.55 | 82.77 | 82.99 | 83.21 | 83.43 |
| 84 | 83.65 | 83.86 | 84.08 | 84.30 | 84.52 |
| 85 | 84.74 | 84.96 | 85.18 | 85.40 | 85.61 |
| 86 | 85.83 | 86.05 | 86.27 | 86.48 | 86.70 |
| 87 | 86.92 | 87.13 | 87.35 | 87.57 | 87.78 |
| 88 | 88.00 | 88.22 | 88.43 | 88.65 | 88.86 |
| 89 | 89.08 | 89.29 | 89.51 | 89.72 | 89.94 |
| 90 | 90.15 | 90.37 | 90.58 | 90.79 | 91.01 |
| 91 | 91.22 | 91.43 | 91.65 | 91.86 | 92.07 |
| 92 | 92.29 | 92.50 | 92.71 | 92.92 | 93.13 |
| 93 | 93.35 | 93.56 | 93.77 | 93.98 | 94.19 |
| 94 | 94.40 | 94.61 | 94.82 | 95.04 | 95.25 |
| 95 | 95.46 | 95.67 | 95.88 | 96.09 | 96.29 |
| 96 | 96.50 | 96.71 | 96.92 | 97.13 | 97.34 |
| 97 | 97.55 | 97.76 | 97.96 | 98.17 | 98.38 |
| 98 | 98.57 | 98.74 | 98.91 | 99.08 | 99.25 |
| 99 | 99.43 | 99.60 | 99.77 | 99.95 | 100.54 |
| 100 | 101.07 | 101.60 | 102.14 | 102.67 | 103.21 |
| 101 | 103.74 | 104.27 | 104.81 | 105.34 | 105.88 |
| 102 | 106.41 | 106.94 | 107.48 | 108.01 | 108.55 |
| 103 | 109.08 | 109.61 | 110.15 | 110.68 | 111.22 |
| 104 | 111.75 | 112.28 | 112.82 | 113.35 | 113.89 |
| 105 | 114.42 | 114.95 | 115.49 | 116.02 | 116.56 |
| 106 | 117.09 | 117.62 | 118.16 | 118.69 | 119.23 |
| 107 | 119.76 | 120.29 | 120.83 | 121.36 | 121.90 |
| 108 | 122.43 | 122.96 | 123.50 | 124.03 | 124.57 |
| 109 | 125.10 | 125.63 | 126.17 | 126.70 | 127.24 |
| 110 | 127.77 | 128.30 | 128.84 | 129.37 | 129.91 |

^A This table converts Motor octane numbers to Aviation method ratings equivalent to those of now-discontinued Method D614, Test for Knock Characteristics of Aviation Fuels by the Aviation Method.

^B Correlation information is given in RR:D02-69, "Aviation Gasoline Antiknock ASTM Methods D614 and D357." (Replaced by Test Method D2700.)

^C Aviation ratings above the line are in terms of octane number and ratings below the line are in terms of performance number.

19.2.2.2 Report Aviation method ratings that are higher than 100.0 as performance number (P.N.).

20. Precision and Bias

20.1 *Bracketing—Equilibrium Fuel Level Procedure A and C.R. Procedure C.*^{18,19}

20.1.1 *80.0 to 90.0 Motor O.N. Range*—The precision of this test method for Motor O.N.s between 80.0 and 90.0 based on statistical examination of interlaboratory test results by the bracketing—equilibrium fuel level or compression ratio procedures is as follows:

¹⁸ Supporting data (a listing of the data and the analyses used to establish the precision statements) have been filed at ASTM International Headquarters and may be obtained by requesting Research Report RR:D02-1383.

¹⁹ Supporting data have been filed at ASTM International Headquarters and may be obtained by requesting Research Report RR:D02-1731.

20.1.1.1 *Repeatability*—The difference between two test results, obtained on identical test samples under repeatability conditions would, in the long run, in the normal and correct operation of the test method, exceed 0.2 O.N. only in one case in twenty.

20.1.1.2 *Reproducibility*—The difference between two single and independent results obtained on identical test samples under reproducibility conditions would, in the long run, in the normal and correct operation of the test method, exceed 0.9 O.N. only in one case in twenty.

20.1.1.3 The above repeatability is based on the replicate O.N. results obtained by the ASTM Motor National Exchange Group (NEG) participating in cooperative testing programs from 1983 through 1987 and 1994. Between 80 and 90 Motor O.N., the repeatability standard deviation is 0.09, unaffected by octane level. This average standard deviation has been multiplied by 2.772 to obtain the limit value.

20.1.1.4 The above reproducibility is based on the combined NEG monthly sample testing program data from 1988 through 1994, the Institute of Petroleum monthly sample data from 1988 through 1994, and the Institut Francais du Petrole monthly sample data from 1991 through 1994. The combination of the large number of sample sets and the fact that each sample fuel was tested by more than 30 laboratories, provides a comprehensive picture of the precision achievable using this test method. Analyzed graphically, the respective sample fuel standard deviations were plotted versus O.N. The variation in precision with respect to O.N. level, for the range of these data, is best expressed by a linear regression of the values. Between 80 and 90 Motor O.N., the reproducibility standard deviation is 0.34 unaffected by octane level. This average standard deviation has been multiplied by 2.772 to obtain the limit value.

20.1.1.5 Sample fuels containing oxygenate (alcohols or ethers), in the concentrations typical of commercial spark-ignition engine fuels, have been included in the exchange programs and the precision for these sample fuels is statistically indistinguishable from non-oxygenated fuels in the Motor O.N. range from 80.0 to 90.0.

20.1.1.6 The equivalence of this test method when performed at barometric pressures less than 94.8 kPa (28.0 in. of Hg) has not been determined. Reproducibility for the 80.0 O.N. to 90.0 O.N. range at altitude locations, based on ASTM Rocky Mountain Regional Group interlaboratory test results, would, in the long run, in the normal operation of the test method, exceed approximately 1.4 O.N. only in one case in twenty.

20.1.2 *Below 80.0 Motor O.N. Range:*

20.1.2.1 Precision cannot be stated for the range below 80.0 Motor O.N. because current data are not available.

20.1.3 *90 to 102.0 Motor O.N. Range:*

20.1.3.1 Precision cannot be stated for the 90.0 to 102.0 Motor O.N. range because sufficient current data are not available.

20.1.4 *102 to 103 Motor O.N. Range*—The precision of this test method at the 102 to 103 Motor O.N. level based on statistical examination of interlaboratory test results is as follows:

20.1.4.1 *Repeatability*—The difference between two test results, obtained on identical test samples under repeatability conditions would, in the long run, in the normal and correct operation of the test method, exceed 0.6 O.N. only in one case in twenty.

20.1.4.2 *Reproducibility*—The difference between two single and independent results obtained on identical test samples under reproducibility conditions would, in the long run, in the normal and correct operation of the test method, exceed 2.0 O.N. only in one case in twenty.

20.1.4.3 The above repeatability and reproducibility values are based on replicate O.N. results obtained by from 12 to 15 laboratories participating in the ASTM Aviation National Exchange Group (NEG) during the period from 1988 through 1994. The repeatability and reproducibility pooled variances for the 21 samples that rated within this range were determined. The resulting average standard deviations have been multiplied by 2.772 to obtain the respective limit values.

20.1.5 *Above 103.0 Motor O.N. Range:*

20.1.5.1 Precision cannot be stated for the range above 103.0 Motor O.N. because current data are not available.

20.2 *Bracketing—Dynamic Fuel Level Procedure B:*

20.2.1 The amount of data for the bracketing—dynamic fuel level procedure is limited.²⁰ The available information includes a statistical study involving single ratings by seven laboratories that comparatively tested four gasoline samples and three TSF blends, in the 80.0 to 90.0 Motor O.N. range, by both the bracketing dynamic fuel level procedure and the bracketing—equilibrium fuel level procedure. A second phase examined repeatability using duplicate bracketing—dynamic fuel level procedure ratings by each of four laboratories on eight sample fuels.

20.2.1.1 Repeatability of the bracketing—dynamic fuel level procedure is similar to that of the bracketing—equilibrium fuel level procedure as inferred from the statistical analysis of the limited duplicate ratings data set.

20.2.1.2 Reproducibility of the bracketing—dynamic fuel level procedure is indistinguishable from that of the bracketing—equilibrium fuel level procedure based on the statistical analysis of the limited data from the round-robin study.

20.3 *Bracketing—OA Procedure D:*

20.3.1 The data for the bracketing—OA procedure is from a limited round robin using both the Waukesha Engine Custom CFR Control Octane Analyzers and Phillips KEAS Systems.²¹ The available information includes a statistical study that comparatively tested eleven gasoline samples and three TSF blends, by both the bracketing—OA procedure and the bracketing—equilibrium fuel level procedure.

20.3.1.1 *Repeatability*—Results produced by the OA equipment and procedure are equivalent to those produced by the equilibrium-bracketing procedure.

20.3.1.2 *Reproducibility*—Results produced by the OA equipment and procedure are equivalent to those produced by the equilibrium-bracketing procedure.

20.3.1.3 *Bias*—There is a statistically significant bias between the bracketing—OA procedure and the bracketing—equilibrium fuel level procedure in the 82 to 88 O.N. range. The magnitude is less than the repeatability of the bracketing—equilibrium procedure. The regression equation is as follows:

$$MON_{\text{bracketing} - \text{equilibrium}} = 0.9592 \times MON_{\text{bracketing} - \text{OA}} + 3.5378 \quad (5)$$

20.4 The previous precision estimates were obtained on fuels containing oxygenated components in concentrations typically present as ethanol (up to 10 volume %). An inter-laboratory study was conducted in 2010-11 to investigate the precision of fuels containing 15 volume % ethanol to 25 volume % ethanol (see RR:D02-1758²²). Twelve fuels with concentrations from 15 % to 25% v/v ethanol were tested by 12 laboratories; the octane results were in the range of 85.4 to 90.4 M.O.N., and all four of the test procedures (A, B, C, and D) were utilized for the testing program, which resulted in the following precision estimates.

20.4.1 *Repeatability*—The difference between two test results, obtained on identical test samples under repeatability conditions would, in the long run, in the normal and correct operation of the test method, exceed 0.4 O.N. only in one case in twenty.

20.4.2 *Reproducibility*—The difference between two single and independent results obtained on identical test samples under reproducibility conditions would, in the long run, in the normal and correct operation of the test method, exceed 1.1 O.N. only in one case in twenty.

20.5 *Standard Deviation*—Examination of interlaboratory test results for Motor O.N. was initiated in 1933 with the formation of the National Exchange Group that regularly tests at least one sample per month. These historical data have demonstrated that the variability (standard deviation) of the test method changes with O.N. as shown in Fig. 9. The curve for this figure is based on ASTM National Exchange Group data from 1966 through 1987.

20.6 *Bias*—The procedures in this test method for Motor O.N. of spark-ignition engine fuel have no bias because the value of Motor O.N. can be defined only in terms of this test method.

21. Keywords

21.1 aviation rating; guide table; *isooctane*; knock intensity; motor octane number; *n*-heptane; spark-ignition engine fuel performance; toluene standardization fuel

²⁰ Supporting data have been filed at ASTM International Headquarters and may be obtained by requesting Research Report RR:D02-1343.

²¹ Supporting data have been filed at ASTM International Headquarters and may be obtained by requesting Research Report RR:D02-1549.

²² Supporting data have been filed at ASTM International Headquarters and may be obtained by requesting Research Report RR:D02-1758. Contact ASTM Customer Service at service@astm.org.

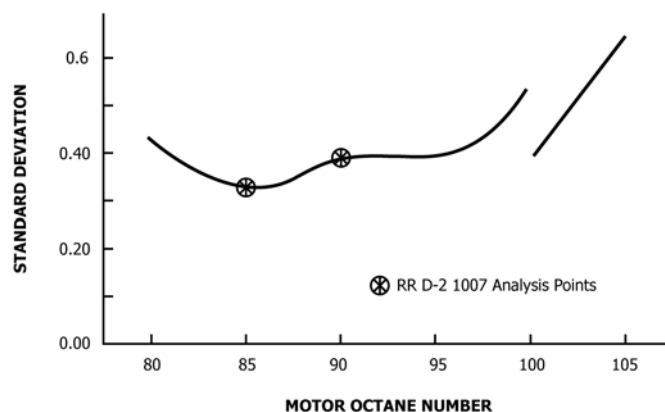


FIG. 9 Variation of Reproducibility Standard Deviation With Motor Octane Number

ANNEXES

(Mandatory Information)

A1. HAZARDS INFORMATION

A1.1 Introduction

A1.1.1 In the performance of this test method there are hazards to personnel. These are indicated in the text. The classification of the hazard or Warning is noted with the appropriate key words of definition. For more detailed information regarding the hazards, refer to the appropriate Material Safety Data Sheet (MSDS) for each of the applicable substances to establish risks, proper handling, and safety precautions.

A1.2 (**Warning**—Combustible. Vapor Harmful.)

A1.2.1 *Applicable Substances:*

A1.2.1.1 Engine crankcase lubricating oil.

A1.3 (**Warning**—Flammable. Vapors are harmful if inhaled. Vapors may cause flash fire.)

A1.3.1 *Applicable Substances:*

A1.3.1.1 Aviation gasoline

A1.3.1.2 Aviation spark-ignition engine fuel

A1.3.1.3 80 octane PRF blend

A1.3.1.4 Check Fuel

A1.3.1.5 Fuel blend

A1.3.1.6 *Iso* octane

A1.3.1.7 Leaded *isooctane* PRF

A1.3.1.8 *N*-heptane

A1.3.1.9 Oxygenate

A1.3.1.10 PRF

A1.3.1.11 PRF blend

A1.3.1.12 Reference fuel

A1.3.1.13 Sample fuel

A1.3.1.14 Spark-ignition engine fuel

A1.3.1.15 TSF

A1.3.1.16 TSF blend

A1.3.1.17 Xylene

A1.4 (**Warning**—Poison. May be harmful or fatal if inhaled or swallowed.)

A1.4.1 *Applicable Substances:*

A1.4.1.1 Antifreeze mixture

A1.4.1.2 Aviation mix tetraethyllead antiknock compound

A1.4.1.3 Dilute tetraethyllead

A1.4.1.4 Glycol based antifreeze

A1.4.1.5 Halogenated refrigerant

A1.4.1.6 Halogenated solvents

A2. APPARATUS ASSEMBLY AND SETTING INSTRUCTIONS

A2.1 *Camshaft Timing and Valve Lift Measurement*—The camshaft for the Model CFR-48 crankcase has intake and exhaust cam lobes both ground to produce a valve lift of 0.238 in. Each lobe is designed to include a quieting ramp at the beginning and end of the contour change from the base circle diameter. These quieting ramps are flat spots in the contour which occur at 0.008 in. to 0.010 in. rise from the base circle of the lobe and that extend for typically 4° to 6° of crank angle rotation. Actual valve lift does not take place until valve clearance is overcome and this is essentially coincident with the flat spot of the quieting ramp. The maximum height of the lobe from the base circle is typically 0.248 in.

A2.1.1 *Measurement Principle*—It is difficult to define the actual point at which a valve should open or close because the event takes place on the quieting ramp where the rate-of-change of the cam profile is minimal. The following procedure uses a point higher up on the contour of the lobes where maximum lift velocity occurs. Thus, all timing events are referenced to the flywheel crank angle degree readings, which occur at a rise of 0.054 in. off the cam lobe base circle. Timing of the camshaft can be judged by the measurement of the intake valve opening event which along with the exhaust valve closing event are the so-called “top end” events that are most critical. Fig. A2.1 illustrates both the intake and exhaust lobe profiles and their relationship in the 720° of rotation of the flywheel during one combustion cycle.

A2.1.2 *Timing Check Procedure:*

A2.1.2.1 Measurement is best made when the cylinder assembly is removed from the crankcase although it is possible with the cylinder and valve mechanism in place.

A2.1.2.2 Assemble a dial indicator on the deck of the crankcase so that it can be positioned to indicate the lift of the intake valve lifter.

A2.1.2.3 The dial indicator must have a minimum travel of 0.250 in. and read to 0.001 in.

A2.1.2.4 Position the flywheel to tdc on the compression stroke and set the dial indicator to zero.

A2.1.2.5 Rotate the flywheel in the normal direction until the valve lifter rises, causing movement of the dial indicator.

A2.1.2.6 Continue flywheel rotation until the dial indicator reading is 0.054 in.

A2.1.2.7 Read the flywheel crank angle and compare it to the specification that is 30°.

A2.1.2.8 If the observed crank angle is within 30° ± 2°, the timing is satisfactory. Otherwise, the camshaft needs retiming either by shifting the cam gear with respect to the crankshaft or by relocating the cam gear on its shaft using one of the other three keyways. Changing the point of mesh of the cam gear with respect to the crankshaft by one full gear tooth makes a 9.5° change on the flywheel for a given mark. Four keyways in the cam gear permit shifts of timing in 1° 11 min increments for a given mark. Cam gears are supplied with an X mark at the tooth to be aligned with the corresponding X mark on the crankshaft gear. If another keyway is used, the gear X mark is irrelevant and the proper tooth for the unmarked keyway must be determined. Greater detail is available from the manufacturer.

NOTE A2.1—The other valve opening and closing events may also be checked but the single measurement based on the intake valve opening event is sufficient to make the judgment as to proper camshaft timing.

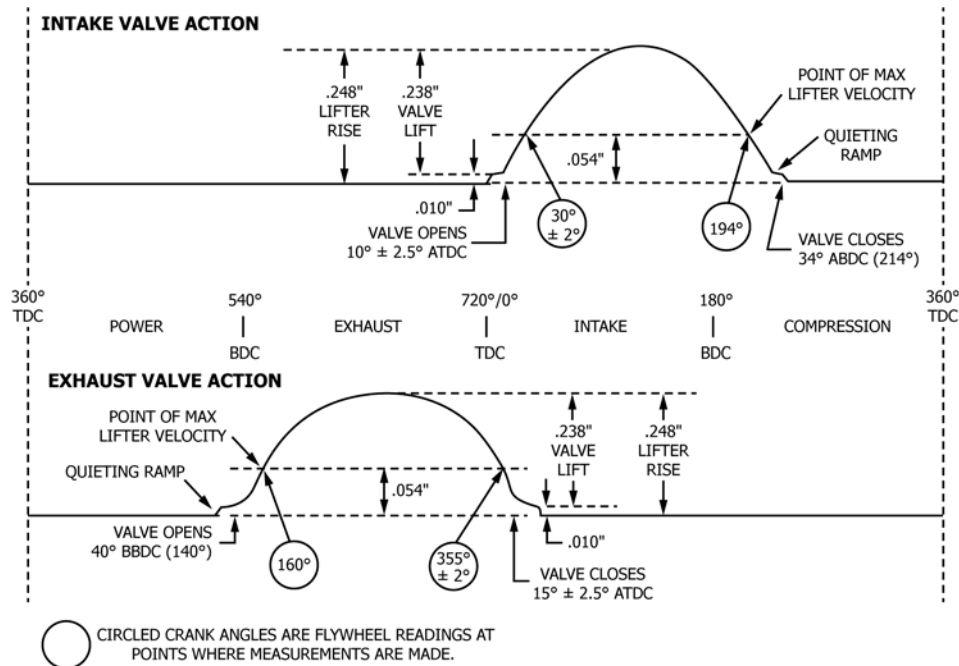


FIG. A2.1 Camshaft Timing Diagram

A2.1.3 Valve Lift Check Procedure:

A2.1.3.1 With the dial indicator still positioned over the intake valve lifter, continue rotation of the flywheel until a maximum reading is obtained on the dial indicator.

A2.1.3.2 Read the dial indicator and compare it to the specification which is 0.246 in. to 0.250 in. If the rise is less than 0.243 in. from the base circle of the cam, wear of the lobe occurred and camshaft replacement is indicated.

A2.1.3.3 Valve lift for the exhaust cam lobe should also be checked by repeating the procedure with the dial indicator positioned over that valve lifter. The lift specification is the same as for the intake valve lifter.

A2.2 Basic Cylinder Height Indexing:

A2.2.1 *Measurement Principles*—C.R. is a significant variable in relation to knock in internal combustion engines and is a basic parameter for the knock testing methods. The CFR engine cylinder and clamping sleeve mechanism provide a means to change C.R. by moving the cylinder up or down with respect to the crankcase. As a convenient alternative to determination of the actual C.R., the vertical position of the cylinder can be measured and provides an indication that is proportional to C.R. Two approaches to indicating the cylinder height are applicable as follows:

A2.2.1.1 *Compression Ratio Digital Counter Assembly*—See Fig. A2.2. A flexible cable connects the cylinder clamping sleeve worm shaft to a mechanical digital counter unit that has two digital display counters or indicators. The input shaft of the unit is directly connected to the upper digital indicator and the digital counter reading responds to any rotation of the worm shaft which moves the engine cylinder up or down. The lower digital indicator is directly connected to the input shaft of the unit when a selector knob is positioned to 1 but is disengaged when the selector knob is at any other position. The disengage-

ment feature is utilized to offset the lower indicator from the upper indicator so that the differential digital counter reading can be compensated for other than standard barometric pressure conditions. The reading on the lower digital counter thus provides compensated values for knock test units operated at other than standard 101.0 kPa (29.92 in. Hg) barometric pressure conditions. Digital counter reading changes in direct proportion to C.R. and a digital counter reading change of one digit is equal to 0.0007 in. movement of the cylinder height.

A2.2.1.2 *Dial Indicator Assembly*—See Fig. A2.3. The dial indicator is fastened to the cylinder clamping sleeve by a bracket. An adjusting screw with a flat circular anvil that contacts the spindle of the dial indicator is supported in a second bracket which is fastened to the engine cylinder. The adjusting screw provides the means to set the dial indicator to the proper reading when the device is being indexed and is then locked in place by a lock nut tightened against the bracket. Dial indicator readings change in inverse proportion with respect to C.R.; increasing in value when the cylinder is raised in the clamping sleeve. Cylinder height movement is indicated to the nearest 0.001 in. There is currently no commercial offset mechanism to provide directly compensated dial indicator readings for knock test units operated at other than standard 101.0 kPa (29.92 in. Hg) barometric pressure conditions.

A2.2.2 *Establishing Basic Cylinder Height*—The cylinder height measurement instruments must be indexed to a standardized value after every top overhaul or equipment change that affects the combustion chamber. Originally, the clearance volume of the combustion chamber was set by introducing a specified volume of water to fill the clearance volume to the top of the pickup hole and then setting the indicator to a specific value. Experience has demonstrated that cylinder height indexing can be achieved by adjusting the cylinder position until a

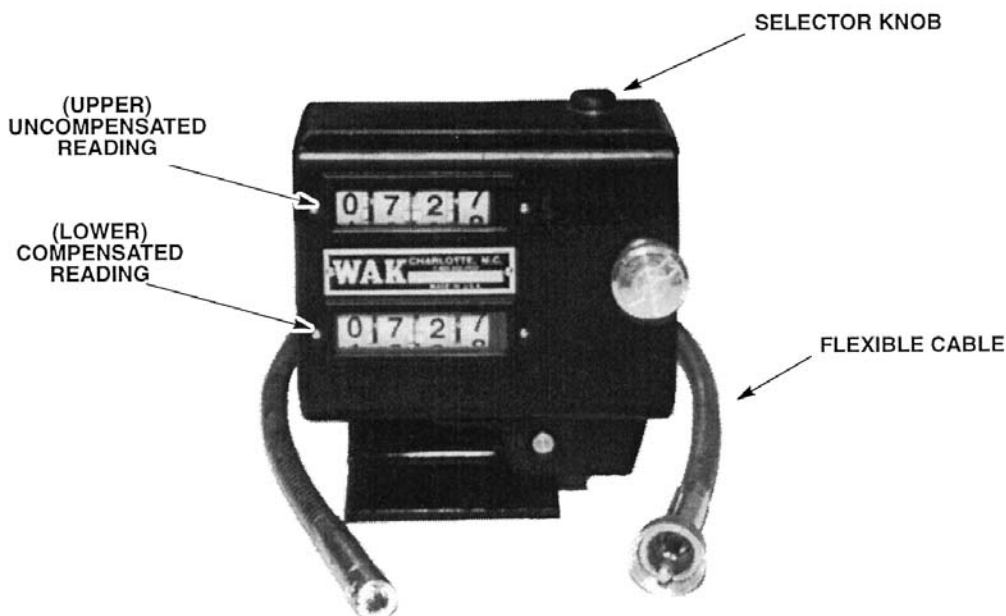


FIG. A2.2 C.R. Digital Counter

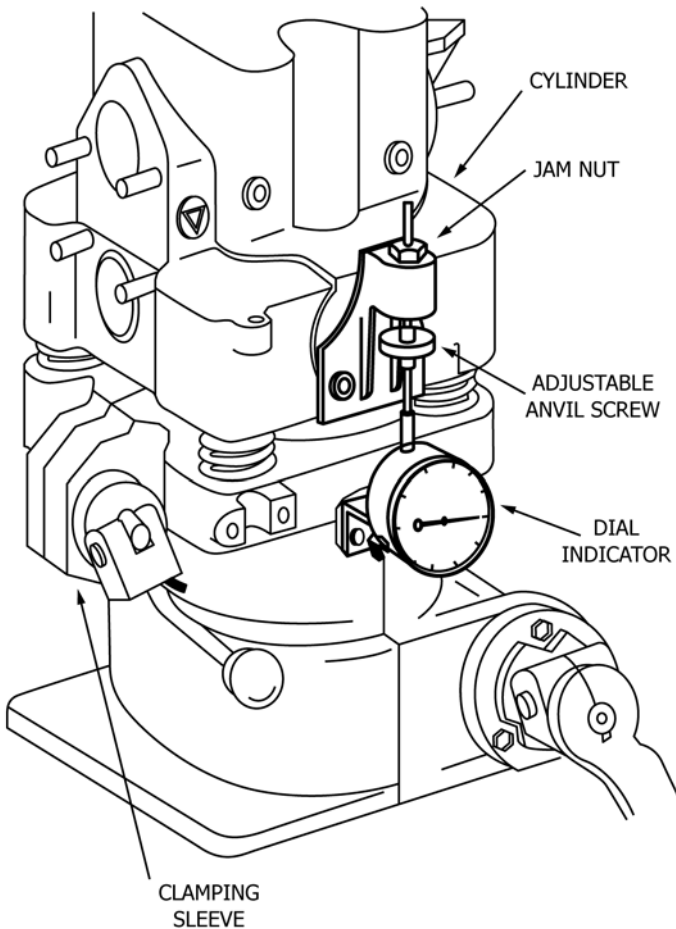


FIG. A2.3 Cylinder Height Dial Indicator

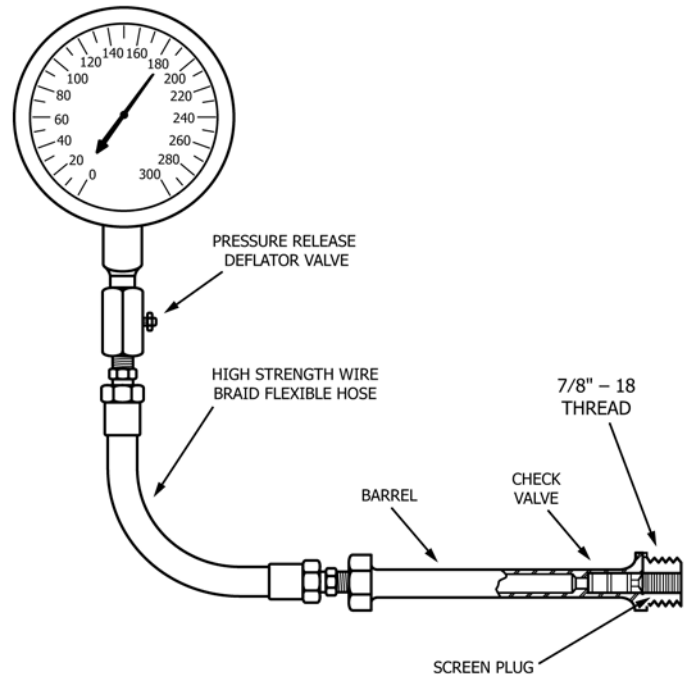


FIG. A2.4 Compression Pressure Gauge Assembly

specified compression pressure is produced dependent on the prevailing barometric pressure. Fig. 2, indicates the compression pressure that must be produced at standard operating conditions with the CFR engine motoring. The cylinder height instrument is then set to the basic value. For C.R. digital counter assemblies, the basic digital counter reading is 930. For dial indicator assemblies, the basic reading is 0.352 in.

A2.2.3 Basic Cylinder Height Indexing Procedure:

A2.2.3.1 Operate the knock test unit for sufficient time to reach temperature equilibrium, on a typical sample fuel, at standard operating conditions with an intake MIXT regulated to $149\text{ }^{\circ}\text{C} \pm 1\text{ }^{\circ}\text{C}$ ($300\text{ }^{\circ}\text{F} \pm 2\text{ }^{\circ}\text{F}$). (**Warning**—In addition to other precautions, users of the C.R. digital counter assembly are urged to set the upper and lower digital counters so that they both display the same value to ensure that indexing will be based on an uncompensated reading.)

A2.2.3.2 Cylinder height indexing requires the determination of compression pressure using the compression pressure gauge assembly specified as critical instrumentation. The gauge assembly shall have been calibrated in accordance with the instructions provided by the manufacturer. See Fig. A2.4.

A2.2.3.3 The following steps shall be performed as quickly as possible to ensure that the pressure readings represent hot engine conditions.

(1) Collect and have ready a calibrated compression pressure gauge assembly and the tools required to remove the detonation pickup and install the gauge assembly in the combustion chamber pickup hole.

(2) Users of the C.R. digital counter assembly shall disconnect the flexible cable by loosening the set-screw and slipping the cable connector off the digital counter unit and manually set the upper and lower digital counter readings so that both read 930

(3) Determine the prevailing barometric pressure and using Fig. 2, read the compression pressure expected for cylinder height instrument indexing

(4) Shut the engine down by turning the fuel off, turning the ignition switch off, and then positioning the engine power switch to off.

(5) Drain all fuel from the carburetor.

(6) Remove the detonation pickup cable connector, unscrew the detonation pickup from the cylinder, and install the compression pressure gauge assembly. (**Warning**—Avoid contact with the detonation pickup because it is extremely hot and can cause serious burns.)

(7) Check that the ignition switch is off and that all fuel has been drained from the carburetor.

(8) Restart the engine and operate in a motoring mode only.

(9) Observe the compression pressure gauge reading and adjust the cylinder height so that the expected compression pressure is indicated. Release the pressure once or twice using the deflator valve and make any required change in cylinder height so that the expected compression pressure is obtained. (**Warning**—In addition to other precautions, read the compression pressure gauge in whatever position it faces without twisting the gauge and hose, which can distort the readings.)

(10) Users of the C.R. digital counter assembly must reconnect the flexible cable to the unit and tighten the set-screw while being careful not to change the digital counter readings from 930.

(11) Users of the dial indicator assembly must loosen the lock nut, set the adjusting screw so that the dial indicator reading is 0.352 in., and then tighten the lock nut. Several respects of the adjustment may be required to obtain the 0.352 in. reading when the lock nut is retightened.

(12) Shut the engine down, remove the compression pressure gauge assembly, install the detonation pickup with a new gasket, and tighten the pickup to the torque setting specified in [Table A2.1](#).

A2.3 Checking Compression Pressures—Checking compression pressure with the engine operating at each of two different C.R. conditions can be a useful indication of combustion chamber and valve condition. The C.R. values selected for making the motor method checks are those for 81.1 and 105 O.N. levels.

A2.3.1 Operate the knock test unit for sufficient time to reach temperature equilibrium, on a typical sample fuel having an O.N. in the mid-80 O.N. range, at standard operating conditions and with the intake MIXT regulated to $149\text{ }^{\circ}\text{C} \pm 1\text{ }^{\circ}\text{C}$ ($300\text{ }^{\circ}\text{F} \pm 2\text{ }^{\circ}\text{F}$).

A2.3.2 Collect and have ready a calibrated compression pressure gauge assembly and the tools required to remove the detonation pickup and install the gauge assembly in the combustion chamber pickup hole.

A2.3.3 Shut the engine down by turning the fuel off, turning the ignition switch off and then positioning the engine power switch to off.

A2.3.4 Drain all fuel from the carburetor.

A2.3.5 Remove the detonation pickup cable connector, unscrew the detonation pickup from the cylinder, and install the compression pressure gauge assembly. (**Warning**—Avoid contact with the detonation pickup because it is extremely hot and can cause serious burns.)

A2.3.6 Check that the ignition switch is off and that all fuel has been drained from the carburetor.

A2.3.7 Restart the engine and operate in a motoring mode only.

A2.3.8 Determine the compression pressures at the cylinder height settings for the two O.N. levels in accordance with [Table A2.2](#).

A2.3.8.1 Use cylinder height settings compensated for barometric pressure in accordance with the compensation tables in [Annex A4](#).

A2.3.8.2 Observe the compression pressure and record the readings.

A2.3.8.3 If the compression pressures are not within the limits, repeat the basic cylinder indexing procedure, and if necessary, perform the maintenance required to obtain the proper compression characteristic.

A2.4 Setting Standard Knock Intensity—O.N. ratings, regardless of octane level or barometric pressure, are presumed to be determined at approximately the same degree of knock, which is termed standard K.I. Every engine follows a natural track or characteristic of cylinder height variation with changes in O.N. that is based on the assumed standard K.I. The average of the values determined for numerous engines defines the guide table of standard K.I. for this method. The basic setting, established when the detonation meter was first accepted, duplicated the cylinder height at 85 O.N., which had been used for the original bouncing pin. “Setting the engine on the guide table,” a term that has been used historically, denotes operating the engine on a PRF blend of known O.N., under standard conditions, with the cylinder height set to the value specified by the appropriate guide table. If the fuel-air ratio is then adjusted to the maximum knock condition, the engine will be operating at standard K.I. Adjustment of the detonation meter to cause the knockmeter to read 50 ± 2 divisions, establishes the required numerical display of this standardized knock condition.

A2.4.1 The procedure for setting standard K.I. at any selected O.N. level is as follows:

A2.4.1.1 Prepare a PRF blend for the O.N. selected and introduce it to a fuel tank and position the fuel selector-valve to operate the engine on this fuel.

A2.4.1.2 Using the appropriate guide table from [Annex A4](#), and the proper compensation for other than standard barometric pressure (compensation tables in [Annex A4](#)), determine the cylinder height (digital counter or dial indicator reading), and adjust the cylinder height to this value.

A2.4.1.3 Determine the fuel-air ratio for maximum K.I.

TABLE A2.1 Torque Specification Values

| Item | Torque, lbf-ft | Torque, N-m |
|---|----------------|-------------|
| Cylinder clamping sleeve: | | |
| Long stud nuts | 42 | 57 |
| Short stud nuts | 83 | 113 |
| Cylinder clamping cam bolt nut ^A | 10 | 14 |
| Cylinder clamping bolt nut ^B | 5 | 7 |
| Crankshaft balancing weight bolts | 100 | 136 |
| Balancing shaft weight bolts | 100 | 136 |
| Balancing shaft weight bolt locknuts | 75 | 102 |
| Balancing rod bolts (high speed crankcase) | 100 | 136 |
| Connecting rod bolts | 104 | 141 |
| Flywheel nut | 200 | 271 |
| Spark plug | 25 to 30 | 34 to 41 |
| Detonation pick-up, type D-1 | 30 | 41 |

^A With clamp handle in locked position. (**Warning**—Do not exceed 25 lbf-ft to avoid cylinder distortion.)

^B When motorized C.R. changer is used.

TABLE A2.2 Specifications for Checking Compression Pressures

| Octane number | 81.1 | 105 |
|---|-------------|-------------|
| Compensated digital counter setting | | |
| For $\frac{3}{16}$ venturi | 578 | 1008 |
| For $\frac{19}{32}$ venturi | 515 | 965 |
| For $\frac{3}{4}$ venturi | 461 | 912 |
| Compensated dial indicator setting, in. | | |
| For $\frac{3}{16}$ venturi | 0.602 | 0.297 |
| For $\frac{19}{32}$ venturi | 0.647 | 0.328 |
| For $\frac{3}{4}$ venturi | 0.685 | 0.365 |
| Compression pressure, psi | 120 ± 2 | 194 ± 4 |

A2.4.1.4 Adjust the detonation meter METER READING dials so that the knockmeter reading averages 50 ± 2 divisions.

A2.5 Setting Overall Knock Measurement System Parameters:

A2.5.1 Principles of Knock Measurement—The knock measurement system incorporates the detonation pickup, detonation meter, and the indicating knockmeter as illustrated in Fig. A2.5. The rate-of-change of combustion chamber pressure signal produced by the detonation pickup is modulated by the detonation meter input filter circuit to create a signal which will simulate the octane rating characteristics of the original bouncing pin instrumentation. Further conditioning of this signal by the detonation meter circuitry subtracts away the portion that represents normal or knock-free operation, amplifies and stretches the remaining knock pulse, integrates multiple cycles of the knock pulse to average the engine characteristic, and finally produces a dc output signal proportional to knock for display by the knockmeter.

A2.5.2 Spread Characteristic—Detonation meter spread or sensitivity (K.I. divisions per O.N.) is a function of the detonation meter SPREAD dial settings. Regardless of the spread dial setting, however, K.I. divisions per O.N. varies as O.N. level is changed because of the engine operating characteristics and the nature of the O.N. scale. The effect of spread variation with O.N. level for a selected spread dial setting is illustrated in Fig. A2.6. In the 95 O.N. to 100 O.N. range, the maximum amount of spread achievable can be greater than desired because K.I. reading may become too unstable for satisfactory observation (excessive signal-to-noise ratio). However, as the figure demonstrates, a workable spread setting can be selected to permit rating over a wide O.N. range. Use of a spread set to approximately 12 to 14 for the 90 O.N. level typically achieves this condition and reduces the frequency of making spread dial changes when testing sample fuels in the commercial fuel O.N. range. When testing samples at levels below 80 O.N., spread naturally decreases and spread dial changes are desirable to maximize sensitivity for optimum measurement resolution at these lower O.N. levels. Spread can also naturally decrease as O.N. is increased above 100. Resetting the spread dials becomes necessary, in this case, not only to gain measurement resolution but more importantly, to ensure that the electronic conditioning of the detonation meter circuitry removes the portion of the measured signal that represents normal combustion. At these high O.N. levels, it is

important that the retained signal represent the knock function and not a “knockless knock” measurement.

A2.5.3 Setting Spread—Setting spread at any selected O.N. level involves adjustment of the detonation meter SPREAD and METER READING controls. Each control has independent coarse and fine adjustment dials as illustrated in Fig. A2.7. The control ratio of the coarse dial (10 point switch) to the fine dial is 10:1 for both SPREAD and METER READING controls. Change spread as follows:

A2.5.3.1 Operate the engine on the PRF blend for the selected O.N. level at standard operating conditions.

A2.5.3.2 To increase spread, increase the knockmeter reading to 80 or more by adjusting the fine spread dial clockwise and then reduce the knockmeter reading to 50 ± 3 by adjusting the fine meter reading dial counterclockwise.

A2.5.3.3 To decrease spread, decrease the knockmeter reading to 20 or less by adjusting the fine spread dial counterclockwise and then increase the knockmeter reading to 50 ± 3 by adjusting the fine meter reading dial clockwise.

A2.5.3.4 If at any point during the spread adjustment procedure, adequate range of adjustment is not possible using the fine controls, the coarse dial for that function should be moved so that proper range is available using the fine dial.

A2.5.4 Measuring Spread—Spread is measured using either a two PRF technique or a one PRF technique. In every case, adjust the PRF fuel-air ratio to produce maximum K.I.

A2.5.4.1 The two PRF technique measures the change in K.I. divisions that occurs when the engine, operating at the guide table C.R. or cylinder height for the O.N. of one PRF, is switched to the second PRF that is either 1.0 O.N. higher or lower than the first PRF.

A2.5.4.2 The single PRF technique measures the change in K.I. divisions that occurs when the engine is first operated at the guide table C.R. for the O.N. of the PRF and then at the C.R. equivalent to one O.N., either higher or lower than that of the PRF.

A2.6 Adjusting Crankcase Lubricating Oil Pressure—The oil pressure of the lubricating oil in the engine crankcase gallery is dependent on the setting of the pressure control valve located at the lower left side of the engine crankcase when viewed from in front of the engine. See Fig. A2.8.

A2.6.1 Adjust the oil pressure with the engine hot and running.

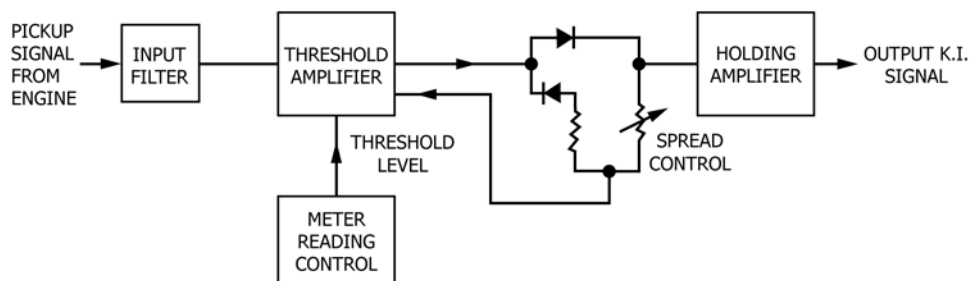


FIG. A2.5 Block Diagram of Knock Measurement System

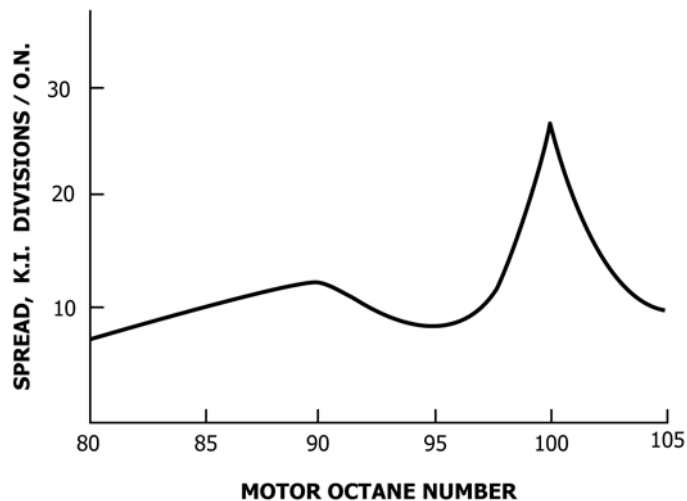


FIG. A2.6 Typical Detonation Meter Spread Characteristic

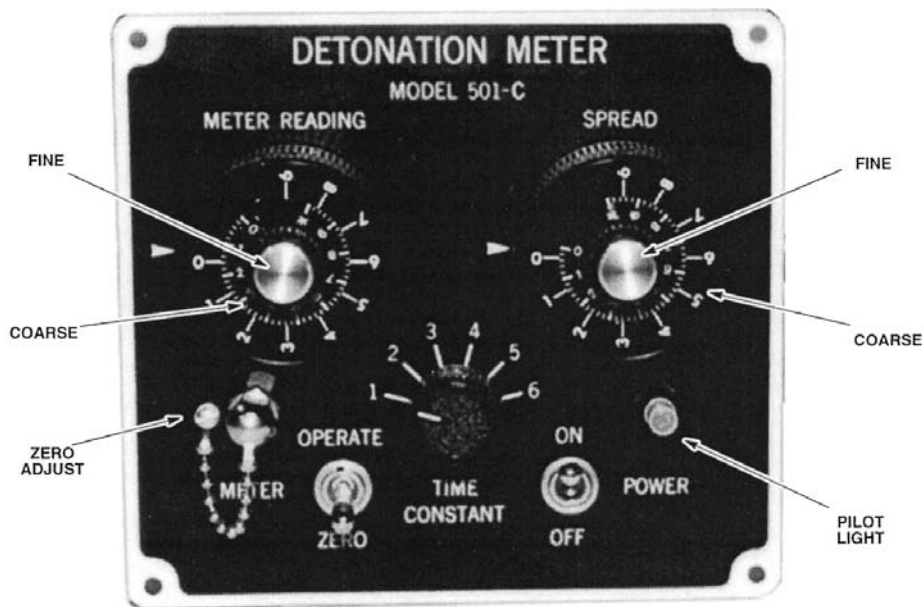


FIG. A2.7 Detonation Meter—Front Panel

A2.6.2 Remove the acorn nut and gasket from the oil pressure control valve assembly.

A2.6.3 Loosen the gasketed locknut so that the adjusting screw is free.

A2.6.4 While observing the engine oil pressure gauge, set the adjusting screw to obtain the specified 172 kPa to 207 kPa (25 psi to 30 psi) pressure.

A2.6.5 Tighten the gasketed locknut while observing that the pressure remains within limits.

A2.6.6 Reinstall the gasket and acorn nut.

A2.7 Engine Torque Tightening Specifications—See [Table A2.1](#).

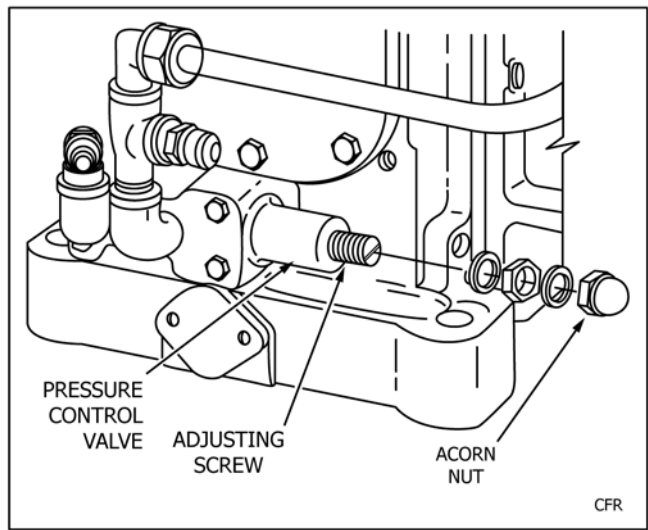


FIG. A2.8 Oil Pressure Control Valve Assembly

A3. REFERENCE FUEL BLENDING TABLES

A3.1 See Tables A3.1-A3.4.

TABLE A3.1 Octane Numbers for Blends of 80 Octane PRF and *n*-Heptane

| Blends of 80 PRF and <i>n</i> -Heptane ^A | | |
|---|----------------|---------------------------|
| Octane Number | Percent 80 PRF | Percent <i>n</i> -Heptane |
| 40.0 | 50 | 50 |
| 44.0 | 55 | 45 |
| 48.0 | 60 | 40 |
| 52.0 | 65 | 35 |
| 56.0 | 70 | 30 |
| 60.0 | 75 | 25 |
| 64.0 | 80 | 20 |
| 68.0 | 85 | 15 |
| 72.0 | 90 | 10 |
| 72.8 | 91 | 9 |
| 73.6 | 92 | 8 |
| 74.4 | 93 | 7 |
| 75.2 | 94 | 6 |
| 76.0 | 95 | 5 |
| 76.8 | 96 | 4 |
| 77.6 | 97 | 3 |
| 78.4 | 98 | 2 |
| 79.2 | 99 | 1 |
| 80.0 | 100 | 0 |

^A O.N. = 0.80 (% 80 PRF).

TABLE A3.2 Octane Numbers for Blends of 80 Octane PRF and *Iso* octane

| Octane Number | Blends of 80 PRF and <i>Iso</i> octane ^A | Percent <i>Iso</i> octane |
|---------------|---|---------------------------|
| | Percent 80 PRF | |
| 80.0 | 100 | 0 |
| 81.0 | 95 | 5 |
| 82.0 | 90 | 10 |
| 83.0 | 85 | 15 |
| 84.0 | 80 | 20 |
| 85.0 | 75 | 25 |
| 86.0 | 70 | 30 |
| 87.0 | 65 | 35 |
| 88.0 | 60 | 40 |
| 89.0 | 55 | 45 |
| 90.0 | 50 | 50 |
| 91.0 | 45 | 55 |
| 92.0 | 40 | 60 |
| 93.0 | 35 | 65 |
| 94.0 | 30 | 70 |
| 95.0 | 25 | 75 |
| 96.0 | 20 | 80 |
| 97.0 | 15 | 85 |
| 98.0 | 10 | 90 |
| 99.0 | 5 | 95 |
| 100.0 | 0 | 100 |

^A O.N. = 0.80 (% 80 PRF) + 1.00 (% *iso*octane).

TABLE A3.3 Octane Numbers for Blends of Tetraethyllead in *Iso* octane^A

NOTE 1—Dilute tetraethyllead (mL TEL/gallon basis) is prepared so that when 2.0 mL of dilute fluid are added to a 400 mL batch of *Iso*octane, the resulting blend will contain 2.0 mL TEL per U.S. gallon.

| mL TEL per U.S. Gallon | Octane Number ^A | mL TEL per U.S. Gallon | Octane Number |
|------------------------|----------------------------|------------------------|---------------|
| 0.0 | 100.0 | 1.2 | 109.6 |
| 0.05 | 100.7 | 1.4 | 110.5 |
| 0.1 | 101.3 | 1.5 | 111.0 |
| 0.2 | 102.5 | 2.0 | 112.8 |
| 0.3 | 103.5 | 2.5 | 114.3 |
| 0.4 | 104.4 | 3.0 | 115.5 |
| 0.5 | 105.3 | 3.5 | 116.6 |
| 0.6 | 106.0 | 4.0 | 117.5 |
| 0.7 | 106.7 | 4.5 | 118.3 |
| 0.8 | 107.4 | 5.0 | 119.1 |
| 0.9 | 108.0 | 5.5 | 119.7 |
| 1.0 | 108.6 | 6.0 | 120.3 |

^A

$$O.N._{(above\ 100)} = 100$$

$$+ \frac{28.28 (T)}{1.0 + 0.736 (T) + [1.0 + 1.472 (T) - 0.035216 (T)^2]^{0.5}}$$

where:

T = mL TEL per U.S. gallon in *iso*octane.

TABLE A3.4 Octane Numbers for Blends of Isooctane+6.0 mL TEL per U. S. Gallon^A

NOTE 1—Blend component volumes shall be $\pm 1\%$ (example 120 ± 1 , 476 ± 5).

| mL Isooctane+6.0 mL TEL per U.S. gallon | mL Isooctane | mL TEL per U.S. gallon | Octane Number |
|---|--------------|------------------------|---------------|
| 0 | 480 | 0.00 | 100.0 |
| 4 | 476 | 0.05 | 100.7 |
| 8 | 472 | 0.10 | 101.3 |
| 16 | 464 | 0.20 | 102.5 |
| 24 | 456 | 0.30 | 103.5 |
| 40 | 440 | 0.50 | 105.3 |
| 56 | 424 | 0.70 | 106.7 |
| 72 | 408 | 0.90 | 108.0 |
| 80 | 400 | 1.00 | 108.6 |
| 96 | 384 | 1.20 | 109.6 |
| 112 | 368 | 1.40 | 110.5 |
| 120 | 360 | 1.50 | 111.0 |
| 128 | 352 | 1.60 | 111.4 |
| 144 | 336 | 1.80 | 112.1 |
| 160 | 320 | 2.00 | 112.8 |
| 176 | 304 | 2.20 | 113.4 |
| 192 | 288 | 2.40 | 114.0 |
| 200 | 280 | 2.50 | 114.3 |
| 208 | 272 | 2.60 | 114.5 |
| 224 | 256 | 2.80 | 115.0 |
| 240 | 240 | 3.00 | 115.5 |
| 256 | 224 | 3.20 | 116.0 |
| 272 | 208 | 3.40 | 116.4 |
| 280 | 200 | 3.50 | 116.6 |
| 288 | 192 | 3.60 | 116.8 |
| 304 | 176 | 3.80 | 117.2 |
| 320 | 160 | 4.00 | 117.5 |
| 336 | 144 | 4.20 | 117.9 |
| 352 | 128 | 4.40 | 118.2 |
| 360 | 120 | 4.50 | 118.3 |
| 368 | 112 | 4.60 | 118.5 |
| 384 | 96 | 4.80 | 118.8 |
| 400 | 80 | 5.00 | 119.1 |
| 416 | 64 | 5.20 | 119.3 |
| 432 | 48 | 5.40 | 119.6 |
| 440 | 40 | 5.50 | 119.7 |
| 448 | 32 | 5.60 | 119.9 |
| 464 | 16 | 5.80 | 120.1 |
| 480 | 0 | 6.00 | 120.3 |

^A

$$O.N._{(\text{above } 100)} = 100 + \frac{28.28(T)}{1.0 + 0.736(T) + [1.0 + 1.472(T) - 0.035216(T)^2]^{0.5}}$$

where: T = mL TEL per U.S. gal in isooctane.

A4. GUIDE TABLES OF CONSTANT KNOCK INTENSITY

A4.1 See [Tables A4.1-A4.10](#).

TABLE A4.1 Guide Table for Standard Knock Intensity at Standard Barometric Pressure^A — $\frac{9}{16}$ in. Venturi Digital Counter Readings for Motor Octane Numbers

NOTE 1—See Tables A4.9 and A4.10 for digital counter reading compensation for the applicable barometric pressure range between 104.7 kPa (31.0 in. Hg) and 94.8 kPa (28.0 in. Hg).

| Motor Octane Number | 0.0 | 0.1 | 0.2 | 0.3 | 0.4 | 0.5 | 0.6 | 0.7 | 0.8 | 0.9 |
|---------------------|--------------------------|-----|-----|-----|-----|-----|-----|-----|-----|-----|
| | Digital Counter Readings | | | | | | | | | |
| 40 | 171 | 171 | 172 | 172 | 173 | 174 | 175 | 175 | 176 | 176 |
| 41 | 176 | 177 | 178 | 178 | 179 | 179 | 180 | 180 | 181 | 182 |
| 42 | 182 | 183 | 184 | 185 | 185 | 186 | 186 | 187 | 188 | 188 |
| 43 | 189 | 189 | 190 | 190 | 191 | 192 | 192 | 193 | 194 | 195 |
| 44 | 195 | 196 | 196 | 197 | 197 | 198 | 199 | 199 | 200 | 201 |
| 45 | 202 | 202 | 203 | 203 | 204 | 204 | 205 | 206 | 207 | 207 |
| 46 | 208 | 209 | 209 | 210 | 211 | 212 | 212 | 213 | 213 | 214 |
| 47 | 214 | 215 | 216 | 217 | 218 | 219 | 219 | 220 | 220 | 221 |
| 48 | 221 | 222 | 223 | 224 | 225 | 226 | 226 | 227 | 227 | 228 |
| 49 | 228 | 229 | 230 | 231 | 232 | 233 | 233 | 234 | 234 | 235 |
| 50 | 235 | 236 | 237 | 238 | 239 | 240 | 241 | 242 | 243 | 243 |
| 51 | 244 | 244 | 245 | 245 | 246 | 247 | 248 | 249 | 250 | 250 |
| 52 | 251 | 252 | 252 | 253 | 254 | 255 | 256 | 257 | 257 | 258 |
| 53 | 259 | 259 | 260 | 261 | 262 | 263 | 264 | 265 | 265 | 266 |
| 54 | 266 | 267 | 268 | 269 | 270 | 271 | 272 | 273 | 274 | 274 |
| 55 | 275 | 275 | 276 | 277 | 278 | 279 | 280 | 281 | 282 | 282 |
| 56 | 283 | 283 | 284 | 285 | 286 | 287 | 288 | 289 | 290 | 291 |
| 57 | 292 | 292 | 293 | 294 | 295 | 296 | 297 | 298 | 299 | 299 |
| 58 | 300 | 301 | 302 | 303 | 304 | 305 | 306 | 306 | 307 | 307 |
| 59 | 308 | 309 | 310 | 311 | 312 | 313 | 314 | 315 | 316 | 316 |
| 60 | 317 | 318 | 319 | 320 | 321 | 322 | 323 | 324 | 325 | 326 |
| 61 | 327 | 328 | 329 | 329 | 330 | 331 | 332 | 333 | 334 | 335 |
| 62 | 336 | 337 | 337 | 338 | 339 | 340 | 341 | 342 | 343 | 344 |
| 63 | 345 | 346 | 347 | 348 | 349 | 350 | 351 | 352 | 353 | 354 |
| 64 | 355 | 356 | 357 | 357 | 358 | 359 | 360 | 361 | 362 | 363 |
| 65 | 364 | 365 | 366 | 367 | 368 | 369 | 370 | 371 | 372 | 373 |
| 66 | 374 | 375 | 376 | 377 | 378 | 379 | 380 | 381 | 382 | 383 |
| 67 | 384 | 385 | 386 | 388 | 389 | 390 | 391 | 392 | 393 | 394 |
| 68 | 395 | 396 | 397 | 398 | 399 | 400 | 401 | 402 | 403 | 405 |
| 69 | 406 | 407 | 408 | 409 | 410 | 412 | 413 | 414 | 415 | 416 |
| 70 | 417 | 419 | 420 | 421 | 422 | 423 | 424 | 426 | 427 | 428 |
| 71 | 429 | 430 | 431 | 433 | 434 | 436 | 437 | 438 | 439 | 440 |
| 72 | 441 | 443 | 444 | 445 | 446 | 447 | 448 | 450 | 451 | 453 |
| 73 | 454 | 455 | 457 | 458 | 460 | 461 | 462 | 463 | 464 | 465 |
| 74 | 467 | 468 | 470 | 471 | 472 | 474 | 475 | 477 | 478 | 479 |
| 75 | 481 | 482 | 484 | 485 | 486 | 488 | 489 | 491 | 492 | 494 |
| 76 | 495 | 496 | 498 | 499 | 501 | 502 | 503 | 505 | 506 | 508 |
| 77 | 509 | 510 | 512 | 513 | 515 | 517 | 519 | 520 | 522 | 524 |
| 78 | 526 | 527 | 529 | 531 | 533 | 534 | 536 | 537 | 539 | 540 |
| 79 | 542 | 544 | 546 | 548 | 550 | 551 | 553 | 554 | 556 | 558 |
| 80 | 560 | 562 | 564 | 565 | 567 | 568 | 570 | 571 | 573 | 575 |
| 81 | 577 | 578 | 580 | 582 | 584 | 585 | 587 | 589 | 591 | 592 |
| 82 | 594 | 596 | 598 | 599 | 601 | 603 | 605 | 606 | 608 | 610 |
| 83 | 612 | 613 | 615 | 617 | 619 | 620 | 622 | 623 | 625 | 627 |
| 84 | 629 | 631 | 633 | 635 | 637 | 639 | 641 | 643 | 644 | 646 |
| 85 | 648 | 650 | 652 | 654 | 656 | 658 | 660 | 662 | 664 | 666 |
| 86 | 668 | 670 | 672 | 674 | 675 | 677 | 679 | 681 | 683 | 685 |
| 87 | 688 | 690 | 692 | 694 | 695 | 698 | 699 | 702 | 704 | 706 |
| 88 | 708 | 709 | 712 | 714 | 716 | 718 | 721 | 722 | 725 | 726 |
| 89 | 728 | 730 | 732 | 735 | 736 | 739 | 740 | 743 | 745 | 746 |
| 90 | 749 | 750 | 753 | 754 | 757 | 759 | 761 | 763 | 764 | 767 |
| 91 | 769 | 771 | 773 | 776 | 777 | 780 | 781 | 783 | 785 | 787 |
| 92 | 790 | 791 | 794 | 795 | 798 | 800 | 801 | 804 | 805 | 808 |
| 93 | 809 | 812 | 814 | 816 | 818 | 819 | 822 | 824 | 826 | 828 |
| 94 | 831 | 832 | 835 | 836 | 838 | 840 | 842 | 845 | 846 | 849 |
| 95 | 850 | 852 | 855 | 856 | 859 | 860 | 863 | 864 | 866 | 869 |
| 96 | 870 | 873 | 874 | 876 | 879 | 880 | 881 | 884 | 886 | 888 |
| 97 | 890 | 891 | 894 | 895 | 897 | 900 | 901 | 904 | 905 | 907 |

TABLE A4.1 *Continued*

| Motor Octane Number | 0.0 | 0.1 | 0.2 | 0.3 | 0.4 | 0.5 | 0.6 | 0.7 | 0.8 | 0.9 |
|---------------------|--------------------------|------|------|------|------|------|------|------|------|------|
| | Digital Counter Readings | | | | | | | | | |
| 98 | 910 | 911 | 912 | 915 | 917 | 918 | 921 | 922 | 924 | 926 |
| 99 | 928 | 929 | 931 | 934 | 935 | 936 | 939 | 941 | 942 | 945 |
| 100 | 948 | 949 | 950 | 952 | 953 | 955 | 956 | 957 | 959 | 960 |
| 101 | 960 | 962 | 963 | 965 | 966 | 967 | 969 | 970 | 972 | 973 |
| 102 | 974 | 976 | 977 | 979 | 980 | 980 | 981 | 983 | 984 | 986 |
| 103 | 987 | 988 | 988 | 990 | 991 | 991 | 993 | 993 | 994 | 994 |
| 104 | 995 | 997 | 998 | 1000 | 1001 | 1003 | 1004 | 1005 | 1006 | 1007 |
| 105 | 1008 | 1010 | 1011 | 1012 | 1014 | 1015 | 1016 | 1017 | 1018 | 1019 |
| 106 | 1020 | 1021 | 1022 | 1024 | 1025 | 1026 | 1027 | 1028 | 1029 | 1030 |
| 107 | 1031 | 1032 | 1033 | 1034 | 1035 | 1036 | 1037 | 1038 | 1039 | 1040 |
| 108 | 1041 | 1041 | 1042 | 1043 | 1044 | 1045 | 1046 | 1046 | 1047 | 1048 |
| 109 | 1049 | 1050 | 1051 | 1052 | 1053 | 1053 | 1054 | 1055 | 1056 | 1057 |
| 110 | 1058 | 1058 | 1059 | 1060 | 1061 | 1062 | 1063 | 1063 | 1064 | 1065 |
| 111 | 1066 | 1067 | 1068 | 1069 | 1069 | 1070 | 1071 | 1072 | 1073 | 1073 |
| 112 | 1074 | 1075 | 1076 | 1077 | 1078 | 1079 | 1080 | 1080 | 1081 | 1082 |
| 113 | 1083 | 1084 | 1084 | 1085 | 1086 | 1087 | 1088 | 1089 | 1090 | 1091 |
| 114 | 1092 | 1093 | 1093 | 1094 | 1095 | 1096 | 1097 | 1097 | 1098 | 1099 |
| 115 | 1100 | 1101 | 1101 | 1103 | 1103 | 1104 | 1105 | 1105 | 1107 | 1107 |
| 116 | 1108 | 1110 | 1110 | 1111 | 1111 | 1112 | 1114 | 1114 | 1115 | 1115 |
| 117 | 1117 | 1118 | 1118 | 1120 | 1120 | 1121 | 1122 | 1122 | 1124 | 1124 |
| 118 | 1125 | 1125 | 1127 | 1128 | 1128 | 1129 | 1129 | 1131 | 1131 | 1132 |
| 119 | 1132 | 1134 | 1134 | 1135 | 1136 | 1136 | 1138 | 1139 | 1141 | 1141 |
| 120 | 1142 | 1142 | 1144 | 1145 | ... | ... | ... | ... | ... | ... |

A

$$\text{Equation dial indicator reading} = 1.012 - \frac{\text{digital counter reading}}{1410}$$

**TABLE A4.2 Guide Table for Standard Knock Intensity at Standard Barometric Pressure— $\frac{9}{16}$ in. Venturi
Motor Octane Numbers for Digital Counter Readings**

NOTE 1—See Tables A4.9 and A4.10 for digital counter reading compensation for the applicable barometric pressure range between 104.7 kPa (31.0 in. Hg) and 94.8 kPa (28.0 in. Hg).

| Digital Counter Setting | 0 | 1 | 2 | 3 | 4 | 5 | 6 | 7 | 8 | 9 |
|-------------------------|---------------------|------|------|------|------|------|------|------|------|------|
| | Motor Octane Number | | | | | | | | | |
| 170 | 40.0 | 40.1 | 40.3 | 40.4 | 40.5 | 40.7 | 40.9 | 41.1 | 41.3 | 41.5 |
| 180 | 41.7 | 41.8 | 42.0 | 42.1 | 42.2 | 42.4 | 42.6 | 42.7 | 42.9 | 43.1 |
| 190 | 43.3 | 43.4 | 43.6 | 43.7 | 43.8 | 44.0 | 44.2 | 44.4 | 44.5 | 44.7 |
| 200 | 44.8 | 44.9 | 45.1 | 45.3 | 45.5 | 45.6 | 45.8 | 45.9 | 46.0 | 46.2 |
| 210 | 46.3 | 46.4 | 46.6 | 46.8 | 46.9 | 47.1 | 47.2 | 47.3 | 47.4 | 47.6 |
| 220 | 47.8 | 48.0 | 48.1 | 48.2 | 48.3 | 48.5 | 48.6 | 48.8 | 48.9 | 49.1 |
| 230 | 49.2 | 49.3 | 49.4 | 49.6 | 49.8 | 49.9 | 50.1 | 50.2 | 50.3 | 50.4 |
| 240 | 50.5 | 50.6 | 50.8 | 50.9 | 51.1 | 51.3 | 51.4 | 51.5 | 51.6 | 51.8 |
| 250 | 51.9 | 52.0 | 52.2 | 52.3 | 52.4 | 52.5 | 52.6 | 52.8 | 52.9 | 53.0 |
| 260 | 53.2 | 53.3 | 53.4 | 53.5 | 53.6 | 53.8 | 53.9 | 54.1 | 54.2 | 54.3 |
| 270 | 54.4 | 54.5 | 54.6 | 54.7 | 54.9 | 55.0 | 55.2 | 55.3 | 55.4 | 55.5 |
| 280 | 55.6 | 55.7 | 55.9 | 56.1 | 56.2 | 56.3 | 56.4 | 56.5 | 56.6 | 56.7 |
| 290 | 56.8 | 56.9 | 57.1 | 57.2 | 57.3 | 57.4 | 57.5 | 57.6 | 57.7 | 57.9 |
| 300 | 58.0 | 58.1 | 58.2 | 58.3 | 58.4 | 58.6 | 58.7 | 58.8 | 58.9 | 59.0 |
| 310 | 59.2 | 59.3 | 59.4 | 59.5 | 59.6 | 59.7 | 59.8 | 60.0 | 60.0 | 60.2 |
| 320 | 60.3 | 60.4 | 60.5 | 60.6 | 60.7 | 60.8 | 60.9 | 61.0 | 61.1 | 61.3 |
| 330 | 61.4 | 61.5 | 61.6 | 61.7 | 61.8 | 61.9 | 62.0 | 62.1 | 62.3 | 62.4 |
| 340 | 62.5 | 62.6 | 62.7 | 62.8 | 62.9 | 63.0 | 63.1 | 63.2 | 63.3 | 63.4 |
| 350 | 63.5 | 63.6 | 63.7 | 63.8 | 63.9 | 64.0 | 64.1 | 64.3 | 64.4 | 64.5 |
| 360 | 64.6 | 64.7 | 64.8 | 64.9 | 65.0 | 65.1 | 65.2 | 65.3 | 65.4 | 65.5 |
| 370 | 65.6 | 65.7 | 65.8 | 65.9 | 66.0 | 66.1 | 66.2 | 66.3 | 66.4 | 66.5 |
| 380 | 66.6 | 66.7 | 66.8 | 66.9 | 67.0 | 67.1 | 67.2 | 67.2 | 67.3 | 67.4 |
| 390 | 67.5 | 67.6 | 67.7 | 67.8 | 67.9 | 68.0 | 68.1 | 68.2 | 68.3 | 68.4 |
| 400 | 68.5 | 68.6 | 68.7 | 68.8 | 68.8 | 68.9 | 69.0 | 69.1 | 69.2 | 69.3 |
| 410 | 69.4 | 69.4 | 69.5 | 69.6 | 69.7 | 69.8 | 69.9 | 70.0 | 70.0 | 70.1 |
| 420 | 70.2 | 70.3 | 70.4 | 70.5 | 70.6 | 70.7 | 70.7 | 70.8 | 70.9 | 71.0 |
| 430 | 71.1 | 71.2 | 71.2 | 71.3 | 71.4 | 71.5 | 71.5 | 71.6 | 71.7 | 71.8 |
| 440 | 71.9 | 72.0 | 72.0 | 72.1 | 72.2 | 72.3 | 72.4 | 72.5 | 72.6 | 72.6 |
| 450 | 72.7 | 72.8 | 72.8 | 72.9 | 73.0 | 73.1 | 73.2 | 73.2 | 73.3 | 73.4 |
| 460 | 73.4 | 73.5 | 73.6 | 73.7 | 73.8 | 73.9 | 73.9 | 74.0 | 74.1 | 74.2 |
| 470 | 74.2 | 74.3 | 74.4 | 74.4 | 74.5 | 74.6 | 74.7 | 74.7 | 74.8 | 74.9 |
| 480 | 74.9 | 75.0 | 75.1 | 75.2 | 75.2 | 75.3 | 75.4 | 75.4 | 75.5 | 75.6 |
| 490 | 75.6 | 75.7 | 75.8 | 75.9 | 75.9 | 76.0 | 76.1 | 76.1 | 76.2 | 76.3 |
| 500 | 76.4 | 76.4 | 76.5 | 76.6 | 76.6 | 76.7 | 76.8 | 76.8 | 76.9 | 77.0 |
| 510 | 77.1 | 77.1 | 77.2 | 77.3 | 77.3 | 77.4 | 77.4 | 77.5 | 77.6 | 77.6 |
| 520 | 77.7 | 77.7 | 77.8 | 77.8 | 77.9 | 78.0 | 78.0 | 78.1 | 78.1 | 78.2 |
| 530 | 78.3 | 78.3 | 78.4 | 78.4 | 78.5 | 78.6 | 78.6 | 78.7 | 78.7 | 78.8 |
| 540 | 78.9 | 78.9 | 79.0 | 79.0 | 79.1 | 79.1 | 79.2 | 79.3 | 79.3 | 79.4 |
| 550 | 79.4 | 79.5 | 79.5 | 79.6 | 79.7 | 79.7 | 79.8 | 79.8 | 79.9 | 80.0 |
| 560 | 80.0 | 80.1 | 80.1 | 80.2 | 80.2 | 80.3 | 80.4 | 80.4 | 80.5 | 80.5 |
| 570 | 80.6 | 80.7 | 80.7 | 80.8 | 80.8 | 80.9 | 80.9 | 81.0 | 81.1 | 81.1 |
| 580 | 81.2 | 81.2 | 81.3 | 81.4 | 81.4 | 81.5 | 81.5 | 81.6 | 81.6 | 81.7 |
| 590 | 81.8 | 81.8 | 81.9 | 81.9 | 82.0 | 82.0 | 82.1 | 82.2 | 82.2 | 82.3 |
| 600 | 82.3 | 82.4 | 82.4 | 82.5 | 82.6 | 82.6 | 82.7 | 82.7 | 82.8 | 82.8 |
| 610 | 82.9 | 83.0 | 83.0 | 83.1 | 83.1 | 83.2 | 83.2 | 83.3 | 83.4 | 83.4 |
| 620 | 83.5 | 83.5 | 83.6 | 83.7 | 83.7 | 83.8 | 83.8 | 83.9 | 83.9 | 84.0 |
| 630 | 84.0 | 84.1 | 84.2 | 84.2 | 84.3 | 84.3 | 84.4 | 84.4 | 84.5 | 84.5 |
| 640 | 84.6 | 84.6 | 84.7 | 84.7 | 84.8 | 84.8 | 84.9 | 84.9 | 85.0 | 85.0 |
| 650 | 85.1 | 85.1 | 85.2 | 85.2 | 85.3 | 85.3 | 85.4 | 85.4 | 85.5 | 85.5 |
| 660 | 85.6 | 85.6 | 85.7 | 85.7 | 85.8 | 85.8 | 85.9 | 86.0 | 86.0 | 86.1 |
| 670 | 86.1 | 86.2 | 86.2 | 86.3 | 86.3 | 86.4 | 86.4 | 86.5 | 86.5 | 86.6 |
| 680 | 86.6 | 86.7 | 86.7 | 86.8 | 86.8 | 86.9 | 86.9 | 87.0 | 87.0 | 87.1 |
| 690 | 87.1 | 87.2 | 87.2 | 87.3 | 87.3 | 87.4 | 87.4 | 87.5 | 87.5 | 87.6 |
| 700 | 87.6 | 87.7 | 87.7 | 87.8 | 87.8 | 87.9 | 87.9 | 88.0 | 88.0 | 88.1 |
| 710 | 88.1 | 88.2 | 88.2 | 88.2 | 88.3 | 88.3 | 88.4 | 88.4 | 88.5 | 88.5 |
| 720 | 88.6 | 88.6 | 88.7 | 88.7 | 88.8 | 88.8 | 88.9 | 88.9 | 89.0 | 89.0 |
| 730 | 89.1 | 89.1 | 89.2 | 89.2 | 89.3 | 89.3 | 89.4 | 89.4 | 89.5 | 89.5 |
| 740 | 89.6 | 89.6 | 89.7 | 89.7 | 89.8 | 89.8 | 89.9 | 89.9 | 90.0 | 90.0 |

TABLE A4.2 *Continued*

| Digital Counter Setting | 0 | 1 | 2 | 3 | 4 | 5 | 6 | 7 | 8 | 9 |
|-------------------------|---------------------|-------|-------|-------|-------|-------|-------|-------|-------|-------|
| | Motor Octane Number | | | | | | | | | |
| 750 | 90.1 | 90.1 | 90.2 | 90.2 | 90.3 | 90.3 | 90.4 | 90.4 | 90.5 | 90.5 |
| 760 | 90.6 | 90.6 | 90.7 | 90.7 | 90.8 | 90.8 | 90.9 | 90.9 | 91.0 | 91.0 |
| 770 | 91.1 | 91.1 | 91.2 | 91.2 | 91.2 | 91.3 | 91.3 | 91.4 | 91.4 | 91.5 |
| 780 | 91.5 | 91.6 | 91.6 | 91.7 | 91.7 | 91.8 | 91.8 | 91.9 | 91.9 | 92.0 |
| 790 | 92.0 | 92.1 | 92.1 | 92.2 | 92.2 | 92.3 | 92.3 | 92.4 | 92.4 | 92.5 |
| 800 | 92.5 | 92.6 | 92.6 | 92.7 | 92.7 | 92.8 | 92.8 | 92.9 | 92.9 | 93.0 |
| 810 | 93.0 | 93.1 | 93.1 | 93.2 | 93.2 | 93.3 | 93.3 | 93.4 | 93.4 | 93.5 |
| 820 | 93.5 | 93.6 | 93.6 | 93.7 | 93.7 | 93.8 | 93.8 | 93.9 | 93.9 | 94.0 |
| 830 | 94.0 | 94.0 | 94.1 | 94.1 | 94.2 | 94.2 | 94.3 | 94.3 | 94.4 | 94.4 |
| 840 | 94.5 | 94.5 | 94.6 | 94.6 | 94.7 | 94.7 | 94.8 | 94.8 | 94.9 | 94.9 |
| 850 | 95.0 | 95.0 | 95.1 | 95.1 | 95.2 | 95.2 | 95.3 | 95.3 | 95.4 | 95.4 |
| 860 | 95.5 | 95.5 | 95.6 | 95.6 | 95.7 | 95.7 | 95.8 | 95.8 | 95.9 | 95.9 |
| 870 | 96.0 | 96.0 | 96.1 | 96.1 | 96.2 | 96.2 | 96.3 | 96.3 | 96.4 | 96.4 |
| 880 | 96.5 | 96.6 | 96.6 | 96.7 | 96.7 | 96.8 | 96.8 | 96.9 | 96.9 | 97.0 |
| 890 | 97.0 | 97.1 | 97.1 | 97.2 | 97.2 | 97.3 | 97.3 | 97.4 | 97.4 | 97.5 |
| 900 | 97.5 | 97.6 | 97.6 | 97.7 | 97.7 | 97.8 | 97.8 | 97.9 | 97.9 | 98.0 |
| 910 | 98.0 | 98.1 | 98.2 | 98.2 | 98.3 | 98.3 | 98.4 | 98.4 | 98.5 | 98.5 |
| 920 | 98.6 | 98.6 | 98.7 | 98.8 | 98.8 | 98.9 | 98.9 | 99.0 | 99.0 | 99.1 |
| 930 | 99.1 | 99.2 | 99.2 | 99.3 | 99.3 | 99.4 | 99.5 | 99.5 | 99.6 | 99.6 |
| 940 | 99.7 | 99.7 | 99.8 | 99.8 | 99.9 | 99.9 | 99.9 | 100.0 | 100.0 | 100.1 |
| 950 | 100.2 | 100.2 | 100.3 | 100.4 | 100.4 | 100.5 | 100.6 | 100.7 | 100.7 | 100.8 |
| 960 | 100.9 | 101.0 | 101.1 | 101.2 | 101.2 | 101.3 | 101.4 | 101.5 | 101.6 | 101.6 |
| 970 | 101.7 | 101.8 | 101.8 | 101.9 | 102.0 | 102.0 | 102.1 | 102.2 | 102.2 | 102.3 |
| 980 | 102.4 | 102.6 | 102.6 | 102.7 | 102.8 | 102.8 | 102.9 | 103.0 | 103.2 | 103.3 |
| 990 | 103.3 | 103.4 | 103.6 | 103.6 | 103.8 | 104.0 | 104.0 | 104.1 | 104.2 | 104.2 |
| 1000 | 104.3 | 104.4 | 104.4 | 104.5 | 104.6 | 104.7 | 104.8 | 104.9 | 105.0 | 105.0 |
| 1010 | 105.1 | 105.2 | 105.3 | 105.3 | 105.4 | 105.5 | 105.6 | 105.7 | 105.8 | 105.9 |
| 1020 | 106.0 | 106.1 | 106.2 | 106.2 | 106.3 | 106.4 | 106.5 | 106.6 | 106.7 | 106.8 |
| 1030 | 106.9 | 107.0 | 107.1 | 107.2 | 107.3 | 107.4 | 107.5 | 107.6 | 107.7 | 107.8 |
| 1040 | 107.9 | 108.0 | 108.2 | 108.3 | 108.4 | 108.5 | 108.6 | 108.8 | 108.9 | 109.0 |
| 1050 | 109.2 | 109.2 | 109.3 | 109.4 | 109.6 | 109.7 | 109.8 | 109.9 | 110.0 | 110.2 |
| 1060 | 110.3 | 110.4 | 110.5 | 110.6 | 110.8 | 110.9 | 111.0 | 111.1 | 111.2 | 111.4 |
| 1070 | 111.5 | 111.6 | 111.7 | 111.8 | 112.0 | 112.1 | 112.2 | 112.3 | 112.4 | 112.5 |
| 1080 | 112.7 | 112.8 | 112.9 | 113.0 | 113.1 | 113.3 | 113.4 | 113.5 | 113.6 | 113.7 |
| 1090 | 113.8 | 113.9 | 114.0 | 114.2 | 114.3 | 114.4 | 114.5 | 114.6 | 114.8 | 114.9 |

TABLE A4.3 Guide Table for Standard Knock Intensity at Standard Barometric Pressure^A — $\frac{9}{16}$ in. Venturi Dial Indicator Readings for Motor Octane Numbers

NOTE 1—See Tables A4.9 and A4.10 for dial indicator reading compensation for the applicable barometric pressure range between 104.7 kPa (31.0 in. Hg) and 94.8 kPa (28.0 in. Hg).

| Motor Octane Number | Dial Indicator Setting, in. | | | | | | | | | |
|---------------------|-----------------------------|-------|-------|-------|-------|-------|-------|-------|-------|-------|
| | 0.0 | 0.1 | 0.2 | 0.3 | 0.4 | 0.5 | 0.6 | 0.7 | 0.8 | 0.9 |
| 40 | 0.891 | 0.891 | 0.890 | 0.890 | 0.889 | 0.889 | 0.888 | 0.888 | 0.887 | 0.887 |
| 41 | 0.887 | 0.886 | 0.886 | 0.886 | 0.885 | 0.885 | 0.884 | 0.884 | 0.883 | 0.883 |
| 42 | 0.883 | 0.882 | 0.882 | 0.881 | 0.881 | 0.880 | 0.889 | 0.880 | 0.879 | 0.879 |
| 43 | 0.878 | 0.878 | 0.877 | 0.877 | 0.876 | 0.876 | 0.876 | 0.875 | 0.875 | 0.874 |
| 44 | 0.874 | 0.873 | 0.873 | 0.872 | 0.872 | 0.871 | 0.871 | 0.871 | 0.870 | 0.870 |
| 45 | 0.869 | 0.869 | 0.868 | 0.868 | 0.867 | 0.867 | 0.866 | 0.866 | 0.865 | 0.865 |
| 46 | 0.864 | 0.864 | 0.864 | 0.863 | 0.863 | 0.862 | 0.862 | 0.861 | 0.861 | 0.860 |
| 47 | 0.860 | 0.859 | 0.859 | 0.858 | 0.858 | 0.857 | 0.857 | 0.856 | 0.856 | 0.855 |
| 48 | 0.855 | 0.854 | 0.854 | 0.853 | 0.853 | 0.852 | 0.852 | 0.851 | 0.851 | 0.850 |
| 49 | 0.850 | 0.849 | 0.849 | 0.848 | 0.848 | 0.847 | 0.847 | 0.846 | 0.846 | 0.845 |
| 50 | 0.845 | 0.844 | 0.844 | 0.843 | 0.842 | 0.842 | 0.841 | 0.841 | 0.840 | 0.840 |
| 51 | 0.839 | 0.839 | 0.838 | 0.838 | 0.837 | 0.837 | 0.836 | 0.836 | 0.835 | 0.835 |
| 52 | 0.834 | 0.833 | 0.833 | 0.832 | 0.832 | 0.831 | 0.831 | 0.830 | 0.830 | 0.829 |
| 53 | 0.828 | 0.828 | 0.827 | 0.827 | 0.826 | 0.826 | 0.825 | 0.824 | 0.824 | 0.823 |
| 54 | 0.823 | 0.822 | 0.822 | 0.821 | 0.820 | 0.820 | 0.819 | 0.819 | 0.818 | 0.818 |
| 55 | 0.817 | 0.817 | 0.816 | 0.815 | 0.815 | 0.814 | 0.814 | 0.813 | 0.812 | 0.812 |
| 56 | 0.811 | 0.811 | 0.810 | 0.810 | 0.809 | 0.808 | 0.808 | 0.807 | 0.806 | 0.806 |
| 57 | 0.805 | 0.805 | 0.804 | 0.804 | 0.803 | 0.802 | 0.802 | 0.801 | 0.800 | 0.800 |
| 58 | 0.799 | 0.799 | 0.798 | 0.797 | 0.797 | 0.796 | 0.795 | 0.795 | 0.794 | 0.794 |
| 59 | 0.793 | 0.793 | 0.792 | 0.791 | 0.791 | 0.790 | 0.789 | 0.789 | 0.788 | 0.788 |
| 60 | 0.787 | 0.786 | 0.786 | 0.785 | 0.784 | 0.784 | 0.783 | 0.783 | 0.782 | 0.781 |
| 61 | 0.780 | 0.780 | 0.779 | 0.779 | 0.778 | 0.777 | 0.776 | 0.776 | 0.775 | 0.775 |
| 62 | 0.774 | 0.773 | 0.773 | 0.772 | 0.771 | 0.771 | 0.770 | 0.769 | 0.769 | 0.768 |
| 63 | 0.767 | 0.767 | 0.766 | 0.765 | 0.765 | 0.764 | 0.763 | 0.763 | 0.762 | 0.761 |
| 64 | 0.760 | 0.760 | 0.759 | 0.759 | 0.758 | 0.757 | 0.756 | 0.756 | 0.755 | 0.755 |
| 65 | 0.754 | 0.753 | 0.752 | 0.752 | 0.751 | 0.750 | 0.750 | 0.749 | 0.748 | 0.748 |
| 66 | 0.747 | 0.746 | 0.745 | 0.745 | 0.744 | 0.743 | 0.742 | 0.742 | 0.741 | 0.740 |
| 67 | 0.739 | 0.739 | 0.738 | 0.737 | 0.736 | 0.736 | 0.735 | 0.734 | 0.733 | 0.733 |
| 68 | 0.732 | 0.731 | 0.730 | 0.730 | 0.729 | 0.728 | 0.727 | 0.727 | 0.726 | 0.725 |
| 69 | 0.724 | 0.723 | 0.722 | 0.722 | 0.721 | 0.720 | 0.719 | 0.718 | 0.718 | 0.717 |
| 70 | 0.716 | 0.715 | 0.714 | 0.714 | 0.713 | 0.712 | 0.711 | 0.710 | 0.709 | 0.709 |
| 71 | 0.708 | 0.707 | 0.706 | 0.705 | 0.704 | 0.703 | 0.702 | 0.702 | 0.701 | 0.700 |
| 72 | 0.699 | 0.698 | 0.697 | 0.696 | 0.696 | 0.695 | 0.694 | 0.693 | 0.692 | 0.691 |
| 73 | 0.690 | 0.689 | 0.688 | 0.687 | 0.686 | 0.685 | 0.684 | 0.683 | 0.683 | 0.682 |
| 74 | 0.681 | 0.680 | 0.679 | 0.678 | 0.677 | 0.676 | 0.675 | 0.674 | 0.673 | 0.672 |
| 75 | 0.671 | 0.670 | 0.669 | 0.668 | 0.667 | 0.666 | 0.665 | 0.664 | 0.663 | 0.662 |
| 76 | 0.661 | 0.660 | 0.659 | 0.658 | 0.657 | 0.656 | 0.655 | 0.654 | 0.653 | 0.652 |
| 77 | 0.651 | 0.650 | 0.649 | 0.648 | 0.647 | 0.645 | 0.644 | 0.643 | 0.642 | 0.640 |
| 78 | 0.639 | 0.638 | 0.637 | 0.636 | 0.634 | 0.633 | 0.632 | 0.631 | 0.630 | 0.629 |
| 79 | 0.627 | 0.626 | 0.625 | 0.624 | 0.622 | 0.621 | 0.620 | 0.619 | 0.617 | 0.616 |
| 80 | 0.615 | 0.614 | 0.612 | 0.611 | 0.610 | 0.609 | 0.608 | 0.607 | 0.605 | 0.604 |
| 81 | 0.603 | 0.602 | 0.600 | 0.599 | 0.598 | 0.597 | 0.596 | 0.594 | 0.593 | 0.592 |
| 82 | 0.591 | 0.590 | 0.588 | 0.587 | 0.586 | 0.584 | 0.583 | 0.582 | 0.581 | 0.580 |
| 83 | 0.578 | 0.577 | 0.576 | 0.575 | 0.573 | 0.572 | 0.571 | 0.570 | 0.568 | 0.567 |
| 84 | 0.566 | 0.564 | 0.563 | 0.562 | 0.560 | 0.559 | 0.558 | 0.556 | 0.555 | 0.554 |
| 85 | 0.552 | 0.551 | 0.549 | 0.548 | 0.546 | 0.545 | 0.544 | 0.542 | 0.541 | 0.540 |
| 86 | 0.538 | 0.537 | 0.536 | 0.534 | 0.533 | 0.532 | 0.530 | 0.529 | 0.528 | 0.526 |
| 87 | 0.524 | 0.523 | 0.521 | 0.520 | 0.519 | 0.517 | 0.516 | 0.514 | 0.513 | 0.511 |
| 88 | 0.510 | 0.509 | 0.507 | 0.506 | 0.504 | 0.503 | 0.501 | 0.500 | 0.498 | 0.497 |
| 89 | 0.496 | 0.494 | 0.493 | 0.491 | 0.490 | 0.488 | 0.487 | 0.485 | 0.484 | 0.483 |
| 90 | 0.481 | 0.480 | 0.478 | 0.477 | 0.475 | 0.474 | 0.472 | 0.471 | 0.470 | 0.468 |
| 91 | 0.467 | 0.465 | 0.464 | 0.462 | 0.461 | 0.459 | 0.458 | 0.457 | 0.455 | 0.454 |
| 92 | 0.452 | 0.451 | 0.449 | 0.448 | 0.446 | 0.445 | 0.444 | 0.442 | 0.441 | 0.439 |
| 93 | 0.438 | 0.436 | 0.435 | 0.433 | 0.432 | 0.431 | 0.429 | 0.428 | 0.426 | 0.425 |
| 94 | 0.423 | 0.422 | 0.420 | 0.419 | 0.418 | 0.416 | 0.415 | 0.413 | 0.412 | 0.410 |
| 95 | 0.409 | 0.408 | 0.406 | 0.405 | 0.403 | 0.402 | 0.400 | 0.399 | 0.398 | 0.396 |
| 96 | 0.395 | 0.393 | 0.392 | 0.391 | 0.389 | 0.388 | 0.387 | 0.385 | 0.384 | 0.382 |
| 97 | 0.381 | 0.380 | 0.378 | 0.377 | 0.376 | 0.374 | 0.373 | 0.371 | 0.370 | 0.369 |

TABLE A4.3 *Continued*

| Motor Octane Number | 0.0 | 0.1 | 0.2 | 0.3 | 0.4 | 0.5 | 0.6 | 0.7 | 0.8 | 0.9 |
|---------------------|-----------------------------|-------|-------|-------|-------|-------|-------|-------|-------|-------|
| | Dial Indicator Setting, in. | | | | | | | | | |
| 98 | 0.367 | 0.366 | 0.365 | 0.363 | 0.362 | 0.361 | 0.359 | 0.358 | 0.357 | 0.355 |
| 99 | 0.354 | 0.353 | 0.352 | 0.350 | 0.349 | 0.348 | 0.346 | 0.345 | 0.344 | 0.342 |
| 100 | 0.340 | 0.339 | 0.338 | 0.337 | 0.336 | 0.335 | 0.334 | 0.333 | 0.332 | 0.331 |
| 101 | 0.331 | 0.330 | 0.329 | 0.328 | 0.327 | 0.326 | 0.325 | 0.324 | 0.323 | 0.322 |
| 102 | 0.321 | 0.320 | 0.319 | 0.318 | 0.317 | 0.317 | 0.316 | 0.315 | 0.314 | 0.313 |
| 103 | 0.312 | 0.311 | 0.311 | 0.310 | 0.309 | 0.309 | 0.308 | 0.308 | 0.307 | 0.307 |
| 104 | 0.306 | 0.305 | 0.304 | 0.303 | 0.302 | 0.301 | 0.300 | 0.299 | 0.298 | 0.298 |
| 105 | 0.297 | 0.296 | 0.295 | 0.294 | 0.293 | 0.292 | 0.291 | 0.291 | 0.290 | 0.289 |
| 106 | 0.288 | 0.288 | 0.287 | 0.286 | 0.285 | 0.284 | 0.284 | 0.283 | 0.282 | 0.282 |
| 107 | 0.281 | 0.280 | 0.280 | 0.279 | 0.278 | 0.277 | 0.277 | 0.276 | 0.275 | 0.275 |
| 108 | 0.274 | 0.274 | 0.273 | 0.272 | 0.272 | 0.271 | 0.270 | 0.270 | 0.269 | 0.269 |
| 109 | 0.268 | 0.267 | 0.267 | 0.266 | 0.265 | 0.265 | 0.264 | 0.264 | 0.263 | 0.263 |
| 110 | 0.262 | 0.262 | 0.261 | 0.260 | 0.260 | 0.259 | 0.258 | 0.258 | 0.257 | 0.257 |
| 111 | 0.256 | 0.255 | 0.255 | 0.254 | 0.254 | 0.253 | 0.253 | 0.252 | 0.251 | 0.251 |
| 112 | 0.250 | 0.249 | 0.249 | 0.248 | 0.248 | 0.247 | 0.246 | 0.246 | 0.245 | 0.245 |
| 113 | 0.244 | 0.243 | 0.243 | 0.242 | 0.242 | 0.241 | 0.240 | 0.240 | 0.239 | 0.238 |
| 114 | 0.238 | 0.237 | 0.237 | 0.236 | 0.235 | 0.235 | 0.234 | 0.234 | 0.233 | 0.232 |
| 115 | 0.232 | 0.231 | 0.231 | 0.230 | 0.230 | 0.229 | 0.228 | 0.228 | 0.227 | 0.227 |
| 116 | 0.226 | 0.225 | 0.225 | 0.224 | 0.224 | 0.223 | 0.222 | 0.222 | 0.221 | 0.221 |
| 117 | 0.220 | 0.219 | 0.219 | 0.218 | 0.218 | 0.217 | 0.216 | 0.206 | 0.215 | 0.215 |
| 118 | 0.214 | 0.214 | 0.213 | 0.212 | 0.212 | 0.211 | 0.211 | 0.210 | 0.210 | 0.209 |
| 119 | 0.209 | 0.208 | 0.208 | 0.207 | 0.206 | 0.206 | 0.205 | 0.204 | 0.203 | 0.203 |
| 120 | 0.202 | 0.202 | 0.201 | 0.200 | ... | ... | ... | ... | ... | ... |

^A Equivalent digital counter reading = (1.012 – dial indicator reading) 1410.

TABLE A4.4 Guide Table for Standard Knock Intensity at Standard Barometric Pressure^A —¹⁹/₃₂ in. Venturi Digital Counter Readings for Motor Octane Numbers

NOTE 1—See Tables A4.9 and A4.10 for digital counter reading compensation for the applicable barometric pressure range between 94.8 kPa (28.0 in. Hg) and 84.4 kPa (25.0 in. Hg).

| Motor Octane Number | Digital Counter Setting | | | | | | | | | |
|---------------------|-------------------------|-----|-----|-----|-----|-----|-----|-----|-----|-----|
| | 0.0 | 0.1 | 0.2 | 0.3 | 0.4 | 0.5 | 0.6 | 0.7 | 0.8 | 0.9 |
| 40 | 45 | 45 | 46 | 47 | 48 | 48 | 49 | 49 | 50 | 51 |
| 41 | 52 | 53 | 54 | 54 | 55 | 55 | 56 | 56 | 57 | 58 |
| 42 | 59 | 60 | 61 | 61 | 62 | 62 | 63 | 63 | 64 | 65 |
| 43 | 66 | 67 | 68 | 68 | 69 | 69 | 70 | 70 | 71 | 72 |
| 44 | 73 | 74 | 75 | 75 | 76 | 76 | 77 | 78 | 79 | 79 |
| 45 | 80 | 81 | 82 | 83 | 84 | 85 | 85 | 86 | 86 | 87 |
| 46 | 87 | 88 | 89 | 90 | 91 | 92 | 92 | 93 | 94 | 94 |
| 47 | 95 | 96 | 97 | 98 | 99 | 99 | 100 | 100 | 101 | 102 |
| 48 | 103 | 104 | 105 | 106 | 106 | 107 | 108 | 109 | 110 | 110 |
| 49 | 111 | 111 | 112 | 113 | 114 | 115 | 116 | 117 | 117 | 118 |
| 50 | 119 | 120 | 121 | 121 | 122 | 123 | 124 | 125 | 126 | 127 |
| 51 | 127 | 128 | 129 | 130 | 131 | 132 | 133 | 133 | 134 | 135 |
| 52 | 136 | 137 | 138 | 138 | 139 | 140 | 141 | 142 | 143 | 144 |
| 53 | 144 | 145 | 146 | 147 | 148 | 149 | 150 | 151 | 151 | 152 |
| 54 | 153 | 154 | 155 | 156 | 157 | 158 | 159 | 160 | 161 | 161 |
| 55 | 162 | 163 | 164 | 165 | 166 | 167 | 168 | 169 | 170 | 171 |
| 56 | 172 | 173 | 174 | 175 | 176 | 177 | 178 | 179 | 179 | 180 |
| 57 | 181 | 182 | 183 | 184 | 185 | 186 | 187 | 188 | 189 | 190 |
| 58 | 191 | 192 | 193 | 194 | 195 | 196 | 197 | 198 | 199 | 200 |
| 59 | 201 | 202 | 203 | 204 | 205 | 206 | 207 | 209 | 210 | 211 |
| 60 | 212 | 213 | 214 | 215 | 216 | 217 | 219 | 220 | 220 | 221 |
| 61 | 223 | 224 | 225 | 226 | 227 | 228 | 229 | 230 | 231 | 232 |
| 62 | 233 | 234 | 235 | 237 | 238 | 239 | 240 | 241 | 243 | 244 |
| 63 | 245 | 246 | 247 | 248 | 250 | 251 | 252 | 253 | 254 | 255 |
| 64 | 257 | 258 | 259 | 260 | 261 | 262 | 264 | 265 | 266 | 267 |
| 65 | 268 | 269 | 271 | 272 | 274 | 275 | 276 | 278 | 279 | 280 |
| 66 | 281 | 282 | 283 | 285 | 286 | 288 | 289 | 290 | 291 | 292 |
| 67 | 293 | 295 | 296 | 298 | 299 | 300 | 302 | 303 | 305 | 306 |
| 68 | 307 | 309 | 310 | 312 | 313 | 314 | 315 | 316 | 317 | 319 |
| 69 | 320 | 321 | 323 | 324 | 326 | 327 | 329 | 330 | 331 | 333 |
| 70 | 334 | 336 | 337 | 338 | 340 | 341 | 343 | 344 | 345 | 347 |
| 71 | 348 | 350 | 351 | 352 | 354 | 355 | 357 | 359 | 361 | 362 |
| 72 | 364 | 365 | 367 | 368 | 369 | 371 | 372 | 374 | 375 | 376 |
| 73 | 378 | 379 | 381 | 383 | 385 | 386 | 388 | 389 | 391 | 392 |
| 74 | 393 | 395 | 397 | 399 | 400 | 402 | 403 | 405 | 406 | 408 |
| 75 | 410 | 412 | 413 | 415 | 416 | 418 | 420 | 422 | 423 | 424 |
| 76 | 426 | 428 | 430 | 431 | 433 | 434 | 436 | 438 | 440 | 441 |
| 77 | 443 | 444 | 446 | 448 | 450 | 451 | 453 | 455 | 457 | 458 |
| 78 | 460 | 461 | 463 | 465 | 467 | 468 | 470 | 472 | 474 | 475 |
| 79 | 477 | 479 | 481 | 482 | 484 | 486 | 488 | 489 | 491 | 493 |
| 80 | 495 | 497 | 499 | 501 | 502 | 504 | 506 | 508 | 510 | 512 |
| 81 | 513 | 515 | 517 | 519 | 520 | 522 | 524 | 526 | 528 | 530 |
| 82 | 532 | 534 | 536 | 537 | 539 | 541 | 543 | 545 | 547 | 548 |
| 83 | 550 | 552 | 554 | 556 | 558 | 560 | 562 | 564 | 566 | 568 |
| 84 | 570 | 572 | 574 | 576 | 578 | 580 | 582 | 584 | 585 | 587 |
| 85 | 589 | 591 | 593 | 595 | 597 | 599 | 601 | 603 | 605 | 607 |
| 86 | 609 | 611 | 613 | 615 | 617 | 619 | 621 | 623 | 625 | 627 |
| 87 | 629 | 631 | 633 | 634 | 636 | 638 | 640 | 642 | 644 | 647 |
| 88 | 649 | 651 | 653 | 655 | 657 | 659 | 661 | 663 | 665 | 667 |
| 89 | 669 | 671 | 673 | 675 | 677 | 679 | 681 | 683 | 685 | 687 |
| 90 | 689 | 691 | 693 | 695 | 697 | 699 | 702 | 704 | 706 | 708 |
| 91 | 710 | 712 | 714 | 716 | 718 | 720 | 722 | 724 | 726 | 728 |
| 92 | 730 | 732 | 734 | 736 | 738 | 740 | 742 | 744 | 746 | 748 |
| 93 | 750 | 752 | 754 | 757 | 759 | 761 | 763 | 765 | 767 | 769 |
| 94 | 771 | 773 | 775 | 777 | 779 | 781 | 783 | 785 | 787 | 789 |
| 95 | 791 | 793 | 795 | 797 | 799 | 801 | 803 | 805 | 807 | 809 |
| 96 | 811 | 813 | 815 | 817 | 819 | 821 | 823 | 825 | 827 | 829 |
| 97 | 830 | 832 | 834 | 836 | 838 | 840 | 842 | 844 | 846 | 848 |

TABLE A4.4 *Continued*

| Motor Octane Number | 0.0 | 0.1 | 0.2 | 0.3 | 0.4 | 0.5 | 0.6 | 0.7 | 0.8 | 0.9 |
|---------------------|-------------------------|------|------|------|------|------|------|------|------|------|
| | Digital Counter Setting | | | | | | | | | |
| 98 | 850 | 852 | 854 | 856 | 857 | 859 | 861 | 863 | 865 | 867 |
| 99 | 869 | 870 | 872 | 874 | 876 | 877 | 879 | 881 | 883 | 885 |
| 100 | 887 | 890 | 892 | 894 | 895 | 897 | 898 | 900 | 902 | 904 |
| 101 | 905 | 907 | 909 | 911 | 913 | 915 | 917 | 919 | 921 | 922 |
| 102 | 924 | 926 | 927 | 928 | 930 | 932 | 933 | 935 | 937 | 939 |
| 103 | 940 | 941 | 942 | 943 | 945 | 946 | 948 | 949 | 950 | 952 |
| 104 | 953 | 955 | 956 | 957 | 959 | 960 | 961 | 962 | 963 | 964 |
| 105 | 965 | 966 | 967 | 968 | 969 | 970 | 971 | 972 | 973 | 974 |
| 106 | 974 | 975 | 976 | 977 | 978 | 979 | 980 | 981 | 982 | 983 |
| 107 | 984 | 985 | 986 | 987 | 987 | 988 | 989 | 990 | 991 | 992 |
| 108 | 993 | 993 | 994 | 995 | 995 | 996 | 997 | 998 | 999 | 1000 |
| 109 | 1001 | 1001 | 1002 | 1003 | 1004 | 1004 | 1005 | 1005 | 1006 | 1007 |
| 110 | 1008 | 1008 | 1009 | 1009 | 1010 | 1010 | 1011 | 1012 | 1012 | 1013 |
| 111 | 1013 | 1014 | 1014 | 1015 | 1016 | 1017 | 1018 | 1018 | 1019 | 1020 |
| 112 | 1021 | 1022 | 1023 | 1024 | 1025 | 1025 | 1026 | 1027 | 1028 | 1028 |
| 113 | 1029 | 1029 | 1030 | 1031 | 1032 | 1033 | 1034 | 1035 | 1036 | 1037 |
| 114 | 1038 | 1039 | 1041 | 1041 | 1042 | 1042 | 1043 | 1044 | 1045 | 1046 |
| 115 | 1046 | 1048 | 1048 | 1049 | 1049 | 1050 | 1053 | 1052 | 1053 | 1053 |
| 116 | 1055 | 1056 | 1056 | 1058 | 1059 | 1060 | 1060 | 1062 | 1063 | 1063 |
| 117 | 1065 | 1066 | 1066 | 1067 | 1067 | 1069 | 1070 | 1070 | 1072 | 1072 |
| 118 | 1073 | 1074 | 1074 | 1076 | 1076 | 1077 | 1077 | 1079 | 1079 | 1080 |
| 119 | 1080 | 1081 | 1081 | 1083 | 1083 | 1084 | 1086 | 1086 | 1087 | 1089 |
| 120 | 1089 | 1090 | 1090 | 1091 | ... | ... | ... | ... | ... | ... |

A

$$\text{Equation dial indicator reading} = 1.012 - \frac{\text{digital counter reading}}{1410}$$

**TABLE A4.5 Guide Table for Standard Knock Intensity at Standard Barometric Pressure^A —¹⁹/₃₂ in. Venturi
Motor Octane Numbers for Digital Counter Readings**

NOTE 1—See [Tables A4.9 and A4.10](#) for digital counter reading compensation for the applicable barometric pressure range between 94.8 kPa (28.0 in. Hg) and 84.4 kPa (25.0 in. Hg).

| Digital Counter Setting | 0 | 1 | 2 | 3 | 4 | 5 | 6 | 7 | 8 | 9 |
|-------------------------|---------------------|------|------|------|------|------|------|------|------|------|
| | Motor Octane Number | | | | | | | | | |
| 40 | | | | | 40.0 | 40.1 | 40.2 | 40.3 | 40.4 | 40.6 |
| 50 | 40.8 | 40.9 | 41.0 | 41.1 | 41.2 | 41.4 | 41.6 | 41.8 | 41.9 | 42.0 |
| 60 | 42.1 | 42.2 | 42.4 | 42.6 | 42.8 | 42.9 | 43.0 | 43.1 | 43.2 | 43.4 |
| 70 | 43.6 | 43.8 | 43.9 | 44.0 | 44.1 | 44.2 | 44.4 | 44.6 | 44.7 | 44.8 |
| 80 | 45.0 | 45.1 | 45.2 | 45.3 | 45.4 | 45.6 | 45.8 | 46.0 | 46.1 | 46.2 |
| 90 | 46.3 | 46.4 | 46.6 | 46.7 | 46.8 | 47.0 | 47.1 | 47.2 | 47.3 | 47.4 |
| 100 | 47.6 | 47.8 | 47.9 | 48.0 | 48.1 | 48.2 | 48.4 | 48.5 | 48.6 | 48.7 |
| 110 | 48.8 | 49.0 | 49.2 | 49.3 | 49.4 | 49.5 | 49.6 | 49.8 | 49.9 | 50.0 |
| 120 | 50.1 | 50.2 | 50.4 | 50.5 | 50.6 | 50.7 | 50.8 | 51.0 | 51.1 | 51.2 |
| 130 | 51.3 | 51.4 | 51.5 | 51.6 | 51.8 | 51.9 | 52.0 | 52.1 | 52.2 | 52.4 |
| 140 | 52.5 | 52.6 | 52.7 | 52.8 | 53.0 | 53.1 | 53.2 | 53.3 | 53.4 | 53.5 |
| 150 | 53.6 | 53.8 | 53.9 | 54.0 | 54.1 | 54.2 | 54.3 | 54.4 | 54.5 | 54.6 |
| 160 | 54.7 | 54.8 | 55.0 | 55.1 | 55.2 | 55.3 | 55.4 | 55.5 | 55.6 | 55.7 |
| 170 | 55.8 | 55.9 | 56.0 | 56.1 | 56.2 | 56.3 | 56.4 | 56.5 | 56.6 | 56.8 |
| 180 | 56.9 | 57.0 | 57.1 | 57.2 | 57.3 | 57.4 | 57.5 | 57.6 | 57.7 | 57.8 |
| 190 | 57.9 | 58.0 | 58.1 | 58.2 | 58.3 | 58.4 | 58.5 | 58.6 | 58.7 | 58.8 |
| 200 | 58.9 | 59.0 | 59.1 | 59.2 | 59.3 | 59.4 | 59.5 | 59.6 | 59.6 | 59.7 |
| 210 | 59.8 | 59.9 | 60.0 | 60.1 | 60.2 | 60.3 | 60.4 | 60.5 | 60.6 | 60.7 |
| 220 | 60.8 | 60.9 | 61.0 | 61.0 | 61.1 | 61.2 | 61.3 | 61.4 | 61.5 | 61.6 |
| 230 | 61.7 | 61.8 | 61.9 | 62.0 | 62.1 | 62.2 | 62.2 | 62.3 | 62.4 | 62.5 |
| 240 | 62.6 | 62.7 | 62.8 | 62.8 | 62.9 | 63.0 | 63.1 | 63.2 | 63.3 | 63.4 |
| 250 | 63.4 | 63.5 | 63.6 | 63.7 | 63.8 | 63.9 | 64.0 | 64.0 | 64.1 | 64.2 |
| 260 | 64.3 | 64.4 | 64.5 | 64.6 | 64.6 | 64.7 | 64.8 | 64.9 | 65.0 | 65.1 |
| 270 | 65.2 | 65.2 | 65.3 | 65.4 | 65.4 | 65.5 | 65.6 | 65.6 | 65.7 | 65.8 |
| 280 | 65.9 | 66.0 | 66.1 | 66.2 | 66.2 | 66.3 | 66.4 | 66.4 | 66.5 | 66.6 |
| 290 | 66.7 | 66.8 | 66.9 | 67.0 | 67.0 | 67.1 | 67.2 | 67.2 | 67.3 | 67.4 |
| 300 | 67.5 | 67.6 | 67.6 | 67.7 | 67.8 | 67.8 | 67.9 | 68.0 | 68.0 | 68.1 |
| 310 | 68.2 | 68.2 | 68.3 | 68.4 | 68.5 | 68.6 | 68.7 | 68.8 | 68.8 | 68.9 |
| 320 | 69.0 | 69.1 | 69.2 | 69.2 | 69.3 | 69.4 | 69.4 | 69.5 | 69.6 | 69.6 |
| 330 | 69.7 | 69.8 | 69.8 | 69.9 | 70.0 | 70.0 | 70.1 | 70.2 | 70.3 | 70.4 |
| 340 | 70.4 | 70.5 | 70.6 | 70.6 | 70.7 | 70.8 | 70.8 | 70.9 | 71.0 | 71.0 |
| 350 | 71.1 | 71.2 | 71.3 | 71.4 | 71.4 | 71.5 | 71.6 | 71.6 | 71.7 | 71.7 |
| 360 | 71.8 | 71.8 | 71.9 | 72.0 | 72.0 | 72.1 | 72.2 | 72.2 | 72.3 | 72.4 |
| 370 | 72.4 | 72.5 | 72.6 | 72.6 | 72.7 | 72.8 | 72.9 | 73.0 | 73.0 | 73.1 |
| 380 | 73.2 | 73.2 | 73.3 | 73.3 | 73.4 | 73.4 | 73.5 | 73.6 | 73.6 | 73.7 |
| 390 | 73.8 | 73.8 | 73.9 | 74.0 | 74.0 | 74.1 | 74.2 | 74.2 | 74.3 | 74.3 |
| 400 | 74.4 | 74.4 | 74.5 | 74.6 | 74.6 | 74.7 | 74.8 | 74.8 | 74.9 | 75.0 |
| 410 | 75.0 | 75.1 | 75.1 | 75.2 | 75.2 | 75.3 | 75.4 | 75.4 | 75.5 | 75.6 |
| 420 | 75.6 | 75.7 | 75.7 | 75.8 | 75.9 | 76.0 | 76.0 | 76.1 | 76.1 | 76.2 |
| 430 | 76.2 | 76.3 | 76.4 | 76.4 | 76.5 | 76.6 | 76.6 | 76.7 | 76.7 | 76.8 |
| 440 | 76.8 | 76.9 | 77.0 | 77.0 | 77.1 | 77.2 | 77.2 | 77.3 | 77.3 | 77.4 |
| 450 | 77.4 | 77.5 | 77.6 | 77.6 | 77.7 | 77.7 | 77.8 | 77.8 | 77.9 | 78.0 |
| 460 | 78.0 | 78.1 | 78.2 | 78.2 | 78.3 | 78.3 | 78.4 | 78.4 | 78.5 | 78.6 |
| 470 | 78.6 | 78.7 | 78.7 | 78.8 | 78.8 | 78.9 | 79.0 | 79.0 | 79.1 | 79.1 |
| 480 | 79.2 | 79.2 | 79.3 | 79.4 | 79.4 | 79.5 | 79.5 | 79.6 | 79.6 | 79.7 |
| 490 | 79.8 | 79.8 | 79.9 | 79.9 | 80.0 | 80.0 | 80.1 | 80.1 | 80.2 | 80.2 |
| 500 | 80.3 | 80.3 | 80.4 | 80.4 | 80.5 | 80.6 | 80.6 | 80.7 | 80.7 | 80.8 |
| 510 | 80.8 | 80.9 | 80.9 | 81.0 | 81.0 | 81.1 | 81.2 | 81.2 | 81.3 | 81.3 |
| 520 | 81.4 | 81.4 | 81.5 | 81.6 | 81.6 | 81.7 | 81.7 | 81.8 | 81.8 | 81.9 |
| 530 | 81.9 | 82.0 | 82.0 | 82.1 | 82.1 | 82.2 | 82.2 | 82.3 | 82.4 | 82.4 |
| 540 | 82.5 | 82.5 | 82.6 | 82.6 | 82.7 | 82.7 | 82.8 | 82.8 | 82.9 | 83.0 |
| 550 | 83.0 | 83.1 | 83.1 | 83.2 | 83.2 | 83.3 | 83.3 | 83.4 | 83.4 | 83.5 |
| 560 | 83.5 | 83.6 | 83.6 | 83.7 | 83.7 | 83.8 | 83.8 | 83.9 | 83.9 | 84.0 |
| 570 | 84.0 | 84.1 | 84.1 | 84.2 | 84.2 | 84.3 | 84.3 | 84.4 | 84.4 | 84.5 |
| 580 | 84.5 | 84.6 | 84.6 | 84.7 | 84.7 | 84.8 | 84.8 | 84.9 | 85.0 | 85.0 |
| 590 | 85.1 | 85.1 | 85.2 | 85.2 | 85.3 | 85.3 | 85.4 | 85.4 | 85.5 | 85.5 |
| 600 | 85.6 | 85.6 | 85.7 | 85.7 | 85.8 | 85.8 | 85.9 | 85.9 | 86.0 | 86.0 |
| 610 | 86.1 | 86.1 | 86.2 | 86.2 | 86.3 | 86.3 | 86.4 | 86.4 | 86.5 | 86.5 |

TABLE A4.5 *Continued*

| Digital Counter Setting | 0 | 1 | 2 | 3 | 4 | 5 | 6 | 7 | 8 | 9 |
|-------------------------|---------------------|-------|-------|-------|-------|-------|-------|-------|-------|-------|
| | Motor Octane Number | | | | | | | | | |
| 620 | 86.6 | 86.6 | 86.7 | 86.7 | 86.8 | 86.8 | 86.9 | 86.9 | 87.0 | 87.0 |
| 630 | 87.1 | 87.1 | 87.2 | 87.2 | 87.3 | 87.3 | 87.4 | 87.4 | 87.5 | 87.5 |
| 640 | 87.6 | 87.6 | 87.7 | 87.7 | 87.8 | 87.8 | 87.9 | 87.9 | 88.0 | 88.0 |
| 650 | 88.1 | 88.1 | 88.2 | 88.2 | 88.3 | 88.3 | 88.4 | 88.4 | 88.5 | 88.5 |
| 660 | 88.6 | 88.6 | 88.7 | 88.7 | 88.8 | 88.8 | 88.9 | 88.9 | 89.0 | 89.0 |
| 670 | 89.1 | 89.1 | 89.2 | 89.2 | 89.3 | 89.3 | 89.4 | 89.4 | 89.5 | 89.5 |
| 680 | 89.6 | 89.6 | 89.7 | 89.7 | 89.8 | 89.8 | 89.9 | 89.9 | 90.0 | 90.0 |
| 690 | 90.1 | 90.1 | 90.2 | 90.2 | 90.3 | 90.3 | 90.4 | 90.4 | 90.4 | 90.5 |
| 700 | 90.5 | 90.6 | 90.6 | 90.7 | 90.7 | 90.8 | 90.8 | 90.9 | 90.9 | 91.0 |
| 710 | 91.0 | 91.1 | 91.1 | 91.2 | 91.2 | 91.3 | 91.3 | 91.4 | 91.4 | 91.5 |
| 720 | 91.5 | 91.6 | 91.6 | 91.7 | 91.7 | 91.8 | 91.8 | 91.9 | 91.9 | 92.0 |
| 730 | 92.0 | 92.1 | 92.1 | 92.2 | 92.2 | 92.3 | 92.3 | 92.4 | 92.4 | 92.5 |
| 740 | 92.5 | 92.6 | 92.6 | 92.7 | 92.7 | 92.8 | 92.8 | 92.9 | 92.9 | 93.0 |
| 750 | 93.0 | 93.1 | 93.1 | 93.2 | 93.2 | 93.3 | 93.3 | 93.4 | 93.4 | 93.5 |
| 760 | 93.5 | 93.5 | 93.6 | 93.6 | 93.7 | 93.7 | 93.8 | 93.8 | 93.9 | 93.9 |
| 770 | 94.0 | 94.0 | 94.1 | 94.1 | 94.2 | 94.2 | 94.3 | 94.3 | 94.4 | 94.4 |
| 780 | 94.5 | 94.5 | 94.6 | 94.6 | 94.7 | 94.7 | 94.8 | 94.8 | 94.9 | 94.9 |
| 790 | 95.0 | 95.0 | 95.1 | 95.1 | 95.2 | 95.2 | 95.3 | 95.3 | 95.4 | 95.4 |
| 800 | 95.5 | 95.5 | 95.6 | 95.6 | 95.7 | 95.7 | 95.8 | 95.8 | 95.9 | 95.9 |
| 810 | 96.0 | 96.0 | 96.1 | 96.1 | 96.2 | 96.2 | 96.3 | 96.3 | 96.4 | 96.4 |
| 820 | 96.5 | 96.5 | 96.6 | 96.6 | 96.7 | 96.7 | 96.8 | 96.8 | 96.9 | 96.9 |
| 830 | 97.0 | 97.0 | 97.1 | 97.1 | 97.2 | 97.2 | 97.3 | 97.3 | 97.4 | 97.4 |
| 840 | 97.5 | 97.5 | 97.6 | 97.6 | 97.7 | 97.7 | 97.8 | 97.8 | 97.9 | 97.9 |
| 850 | 98.0 | 98.0 | 98.1 | 98.1 | 98.2 | 98.2 | 98.3 | 98.4 | 98.4 | 98.5 |
| 860 | 98.5 | 98.6 | 98.6 | 98.7 | 98.7 | 98.8 | 98.8 | 98.9 | 99.0 | 99.0 |
| 870 | 99.1 | 99.2 | 99.2 | 99.3 | 99.3 | 99.4 | 99.4 | 99.5 | 99.5 | 99.6 |
| 880 | 99.6 | 99.7 | 99.7 | 99.8 | 99.8 | 99.9 | 99.9 | 100.0 | 100.0 | 100.1 |
| 890 | 100.1 | 100.2 | 100.2 | 100.3 | 100.3 | 100.4 | 100.4 | 100.5 | 100.6 | 100.6 |
| 900 | 100.7 | 100.7 | 100.8 | 100.8 | 100.9 | 101.0 | 101.0 | 101.1 | 101.1 | 101.2 |
| 910 | 101.2 | 101.3 | 101.3 | 101.4 | 101.4 | 101.5 | 101.5 | 101.6 | 101.6 | 101.7 |
| 920 | 101.8 | 101.8 | 101.9 | 102.0 | 102.0 | 102.1 | 102.1 | 102.2 | 102.3 | 102.4 |
| 930 | 102.4 | 102.5 | 102.5 | 102.6 | 102.6 | 102.7 | 102.8 | 102.8 | 102.9 | 102.9 |
| 940 | 103.0 | 103.1 | 103.2 | 103.3 | 103.4 | 103.4 | 103.5 | 103.6 | 103.6 | 103.7 |
| 950 | 103.8 | 103.8 | 103.9 | 104.0 | 104.0 | 104.1 | 104.2 | 104.3 | 104.4 | 104.4 |
| 960 | 104.5 | 104.6 | 104.7 | 104.8 | 104.9 | 105.0 | 105.1 | 105.2 | 105.3 | 105.4 |
| 970 | 105.5 | 105.6 | 105.7 | 105.8 | 106.0 | 106.1 | 106.2 | 106.3 | 106.4 | 106.5 |
| 980 | 106.6 | 106.7 | 106.8 | 106.9 | 107.0 | 107.1 | 107.2 | 107.4 | 107.5 | 107.6 |
| 990 | 107.7 | 107.8 | 107.9 | 108.0 | 108.2 | 108.4 | 108.5 | 108.6 | 108.7 | 108.8 |
| 1000 | 108.9 | 109.0 | 109.2 | 109.3 | 109.4 | 109.6 | 109.8 | 109.9 | 110.0 | 110.2 |
| 1010 | 110.4 | 110.6 | 110.8 | 111.0 | 111.2 | 111.3 | 111.4 | 111.5 | 111.6 | 111.8 |
| 1020 | 111.9 | 112.0 | 112.1 | 112.2 | 112.3 | 112.4 | 112.6 | 112.7 | 112.8 | 113.0 |
| 1030 | 113.2 | 113.3 | 113.4 | 113.5 | 113.6 | 113.7 | 113.8 | 113.9 | 114.0 | 114.1 |
| 1040 | 114.2 | 114.3 | 114.4 | 114.6 | 114.7 | 114.8 | 115.0 | 115.1 | 115.2 | 115.3 |
| 1050 | 115.4 | 115.5 | 115.6 | 115.8 | 116.0 | 116.1 | 116.2 | 116.2 | 116.3 | 116.4 |
| 1060 | 116.5 | 116.6 | 116.7 | 116.8 | 117.0 | 117.1 | 117.2 | 117.3 | 117.4 | 117.5 |
| 1070 | 117.6 | 117.8 | 117.9 | 118.0 | 118.1 | 118.2 | 118.4 | 118.6 | 118.7 | 118.8 |
| 1080 | 119.0 | 119.1 | 119.2 | 119.4 | 119.5 | 119.6 | 119.7 | 119.8 | 119.9 | 120.0 |
| 1090 | 120.1 | 120.2 | 120.3 | | | | | | | |

A

$$\text{Equation dial indicator reading} = 1.012 - \frac{\text{digital counter reading}}{1410}$$

**TABLE A4.6 Guide Table for Standard Knock Intensity at Standard Barometric Pressure^A —¹⁹/₃₂ in. Venturi
Dial Indicator Readings for Motor Octane Numbers**

NOTE 1—See Tables A4.9 and A4.10 for dial indicator reading compensation for the applicable barometric pressure range between 94.8 kPa (28.0 in. Hg) and 84.4 kPa (25.0 in. Hg).

| Motor Octane Number | Dial Indicator Setting, in. | | | | | | | | | |
|---------------------|-----------------------------|-------|-------|-------|-------|-------|-------|-------|-------|-------|
| | 0.0 | 0.1 | 0.2 | 0.3 | 0.4 | 0.5 | 0.6 | 0.7 | 0.8 | 0.9 |
| 40 | 0.980 | 0.980 | 0.979 | 0.979 | 0.978 | 0.978 | 0.977 | 0.977 | 0.976 | 0.976 |
| 41 | 0.975 | 0.975 | 0.974 | 0.974 | 0.973 | 0.973 | 0.972 | 0.972 | 0.971 | 0.971 |
| 42 | 0.970 | 0.970 | 0.969 | 0.969 | 0.968 | 0.968 | 0.967 | 0.967 | 0.966 | 0.966 |
| 43 | 0.965 | 0.965 | 0.964 | 0.964 | 0.963 | 0.963 | 0.962 | 0.962 | 0.961 | 0.961 |
| 44 | 0.960 | 0.960 | 0.959 | 0.959 | 0.958 | 0.958 | 0.957 | 0.957 | 0.956 | 0.956 |
| 45 | 0.955 | 0.954 | 0.954 | 0.953 | 0.953 | 0.952 | 0.952 | 0.951 | 0.951 | 0.950 |
| 46 | 0.950 | 0.949 | 0.949 | 0.948 | 0.948 | 0.947 | 0.947 | 0.946 | 0.945 | 0.945 |
| 47 | 0.944 | 0.944 | 0.943 | 0.943 | 0.942 | 0.942 | 0.941 | 0.941 | 0.940 | 0.940 |
| 48 | 0.939 | 0.938 | 0.938 | 0.937 | 0.937 | 0.936 | 0.936 | 0.935 | 0.934 | 0.934 |
| 49 | 0.933 | 0.933 | 0.932 | 0.932 | 0.931 | 0.930 | 0.930 | 0.929 | 0.929 | 0.928 |
| 50 | 0.928 | 0.927 | 0.926 | 0.926 | 0.925 | 0.925 | 0.924 | 0.923 | 0.923 | 0.922 |
| 51 | 0.922 | 0.921 | 0.920 | 0.920 | 0.919 | 0.919 | 0.918 | 0.918 | 0.917 | 0.916 |
| 52 | 0.916 | 0.915 | 0.914 | 0.914 | 0.913 | 0.913 | 0.912 | 0.911 | 0.911 | 0.910 |
| 53 | 0.910 | 0.909 | 0.908 | 0.908 | 0.907 | 0.906 | 0.906 | 0.905 | 0.905 | 0.904 |
| 54 | 0.903 | 0.903 | 0.902 | 0.901 | 0.901 | 0.900 | 0.899 | 0.899 | 0.898 | 0.898 |
| 55 | 0.897 | 0.896 | 0.896 | 0.895 | 0.894 | 0.894 | 0.893 | 0.892 | 0.892 | 0.891 |
| 56 | 0.890 | 0.890 | 0.889 | 0.888 | 0.887 | 0.887 | 0.886 | 0.885 | 0.885 | 0.884 |
| 57 | 0.883 | 0.883 | 0.882 | 0.881 | 0.881 | 0.880 | 0.879 | 0.879 | 0.878 | 0.877 |
| 58 | 0.876 | 0.876 | 0.875 | 0.874 | 0.874 | 0.873 | 0.872 | 0.871 | 0.871 | 0.870 |
| 59 | 0.869 | 0.869 | 0.868 | 0.867 | 0.866 | 0.866 | 0.865 | 0.864 | 0.863 | 0.863 |
| 60 | 0.862 | 0.861 | 0.860 | 0.860 | 0.859 | 0.858 | 0.857 | 0.856 | 0.856 | 0.855 |
| 61 | 0.854 | 0.853 | 0.853 | 0.852 | 0.851 | 0.850 | 0.850 | 0.849 | 0.848 | 0.847 |
| 62 | 0.846 | 0.846 | 0.845 | 0.844 | 0.843 | 0.842 | 0.842 | 0.841 | 0.840 | 0.839 |
| 63 | 0.838 | 0.837 | 0.837 | 0.836 | 0.835 | 0.834 | 0.833 | 0.832 | 0.832 | 0.831 |
| 64 | 0.830 | 0.829 | 0.828 | 0.827 | 0.827 | 0.826 | 0.825 | 0.824 | 0.823 | 0.822 |
| 65 | 0.822 | 0.821 | 0.820 | 0.819 | 0.818 | 0.817 | 0.816 | 0.815 | 0.814 | 0.814 |
| 66 | 0.813 | 0.812 | 0.811 | 0.810 | 0.809 | 0.808 | 0.807 | 0.806 | 0.805 | 0.805 |
| 67 | 0.804 | 0.803 | 0.802 | 0.801 | 0.800 | 0.799 | 0.798 | 0.797 | 0.796 | 0.795 |
| 68 | 0.794 | 0.793 | 0.792 | 0.791 | 0.790 | 0.790 | 0.789 | 0.788 | 0.787 | 0.786 |
| 69 | 0.785 | 0.784 | 0.783 | 0.782 | 0.781 | 0.780 | 0.779 | 0.778 | 0.777 | 0.776 |
| 70 | 0.775 | 0.774 | 0.773 | 0.772 | 0.771 | 0.770 | 0.769 | 0.768 | 0.767 | 0.766 |
| 71 | 0.765 | 0.764 | 0.763 | 0.762 | 0.761 | 0.760 | 0.759 | 0.758 | 0.756 | 0.755 |
| 72 | 0.754 | 0.753 | 0.752 | 0.751 | 0.750 | 0.749 | 0.748 | 0.747 | 0.746 | 0.745 |
| 73 | 0.744 | 0.743 | 0.742 | 0.740 | 0.739 | 0.738 | 0.737 | 0.736 | 0.735 | 0.734 |
| 74 | 0.733 | 0.732 | 0.730 | 0.729 | 0.728 | 0.727 | 0.726 | 0.725 | 0.724 | 0.723 |
| 75 | 0.721 | 0.720 | 0.719 | 0.718 | 0.717 | 0.716 | 0.714 | 0.713 | 0.712 | 0.711 |
| 76 | 0.710 | 0.709 | 0.707 | 0.706 | 0.705 | 0.704 | 0.703 | 0.702 | 0.700 | 0.699 |
| 77 | 0.698 | 0.697 | 0.696 | 0.694 | 0.693 | 0.692 | 0.691 | 0.690 | 0.688 | 0.687 |
| 78 | 0.686 | 0.685 | 0.683 | 0.682 | 0.681 | 0.680 | 0.679 | 0.677 | 0.676 | 0.675 |
| 79 | 0.674 | 0.672 | 0.671 | 0.670 | 0.669 | 0.667 | 0.666 | 0.665 | 0.664 | 0.662 |
| 80 | 0.661 | 0.660 | 0.658 | 0.657 | 0.656 | 0.655 | 0.653 | 0.652 | 0.651 | 0.649 |
| 81 | 0.648 | 0.647 | 0.645 | 0.644 | 0.643 | 0.642 | 0.640 | 0.639 | 0.638 | 0.636 |
| 82 | 0.635 | 0.634 | 0.632 | 0.631 | 0.630 | 0.628 | 0.627 | 0.626 | 0.624 | 0.623 |
| 83 | 0.622 | 0.620 | 0.619 | 0.618 | 0.616 | 0.615 | 0.613 | 0.612 | 0.611 | 0.609 |
| 84 | 0.608 | 0.607 | 0.605 | 0.604 | 0.602 | 0.601 | 0.600 | 0.598 | 0.597 | 0.596 |
| 85 | 0.594 | 0.593 | 0.591 | 0.590 | 0.588 | 0.587 | 0.586 | 0.584 | 0.583 | 0.582 |
| 86 | 0.580 | 0.579 | 0.577 | 0.576 | 0.575 | 0.573 | 0.572 | 0.570 | 0.569 | 0.568 |
| 87 | 0.566 | 0.565 | 0.563 | 0.562 | 0.561 | 0.559 | 0.558 | 0.556 | 0.555 | 0.553 |
| 88 | 0.552 | 0.551 | 0.549 | 0.548 | 0.546 | 0.545 | 0.543 | 0.542 | 0.540 | 0.539 |
| 89 | 0.538 | 0.536 | 0.535 | 0.533 | 0.532 | 0.530 | 0.529 | 0.527 | 0.526 | 0.525 |
| 90 | 0.523 | 0.522 | 0.520 | 0.519 | 0.517 | 0.516 | 0.514 | 0.513 | 0.512 | 0.510 |
| 91 | 0.509 | 0.507 | 0.506 | 0.504 | 0.503 | 0.501 | 0.500 | 0.499 | 0.497 | 0.496 |
| 92 | 0.494 | 0.493 | 0.491 | 0.490 | 0.488 | 0.487 | 0.486 | 0.484 | 0.483 | 0.481 |
| 93 | 0.480 | 0.478 | 0.477 | 0.475 | 0.474 | 0.473 | 0.471 | 0.470 | 0.468 | 0.467 |
| 94 | 0.465 | 0.464 | 0.462 | 0.461 | 0.460 | 0.458 | 0.457 | 0.455 | 0.454 | 0.452 |
| 95 | 0.451 | 0.450 | 0.448 | 0.447 | 0.445 | 0.444 | 0.442 | 0.441 | 0.440 | 0.438 |
| 96 | 0.437 | 0.435 | 0.434 | 0.433 | 0.431 | 0.430 | 0.429 | 0.427 | 0.426 | 0.424 |
| 97 | 0.423 | 0.422 | 0.420 | 0.419 | 0.418 | 0.416 | 0.415 | 0.413 | 0.412 | 0.411 |

TABLE A4.6 *Continued*

| Motor Octane Number | 0.0 | 0.1 | 0.2 | 0.3 | 0.4 | 0.5 | 0.6 | 0.7 | 0.8 | 0.9 |
|---------------------|-----------------------------|-------|-------|-------|-------|-------|-------|-------|-------|-------|
| | Dial Indicator Setting, in. | | | | | | | | | |
| 98 | 0.409 | 0.408 | 0.407 | 0.405 | 0.404 | 0.403 | 0.401 | 0.400 | 0.399 | 0.397 |
| 99 | 0.396 | 0.395 | 0.394 | 0.392 | 0.391 | 0.390 | 0.388 | 0.387 | 0.386 | 0.385 |
| 100 | 0.383 | 0.381 | 0.379 | 0.378 | 0.377 | 0.376 | 0.375 | 0.374 | 0.372 | 0.371 |
| 101 | 0.370 | 0.369 | 0.367 | 0.366 | 0.364 | 0.363 | 0.362 | 0.360 | 0.359 | 0.358 |
| 102 | 0.357 | 0.355 | 0.355 | 0.354 | 0.352 | 0.351 | 0.350 | 0.349 | 0.347 | 0.346 |
| 103 | 0.345 | 0.345 | 0.344 | 0.343 | 0.342 | 0.341 | 0.340 | 0.339 | 0.338 | 0.337 |
| 104 | 0.336 | 0.335 | 0.334 | 0.333 | 0.332 | 0.331 | 0.330 | 0.330 | 0.329 | 0.328 |
| 105 | 0.328 | 0.327 | 0.326 | 0.325 | 0.325 | 0.324 | 0.323 | 0.323 | 0.322 | 0.321 |
| 106 | 0.321 | 0.321 | 0.320 | 0.319 | 0.318 | 0.318 | 0.317 | 0.316 | 0.316 | 0.315 |
| 107 | 0.314 | 0.313 | 0.313 | 0.312 | 0.312 | 0.311 | 0.311 | 0.310 | 0.309 | 0.308 |
| 108 | 0.308 | 0.308 | 0.307 | 0.306 | 0.306 | 0.306 | 0.305 | 0.304 | 0.303 | 0.303 |
| 109 | 0.302 | 0.302 | 0.301 | 0.301 | 0.300 | 0.300 | 0.299 | 0.299 | 0.299 | 0.298 |
| 110 | 0.297 | 0.297 | 0.296 | 0.296 | 0.296 | 0.296 | 0.295 | 0.294 | 0.294 | 0.294 |
| 111 | 0.294 | 0.293 | 0.293 | 0.292 | 0.291 | 0.291 | 0.290 | 0.290 | 0.289 | 0.289 |
| 112 | 0.288 | 0.287 | 0.286 | 0.286 | 0.285 | 0.285 | 0.284 | 0.284 | 0.283 | 0.283 |
| 113 | 0.282 | 0.282 | 0.282 | 0.281 | 0.280 | 0.279 | 0.279 | 0.278 | 0.277 | 0.277 |
| 114 | 0.276 | 0.275 | 0.274 | 0.274 | 0.273 | 0.273 | 0.272 | 0.272 | 0.271 | 0.270 |
| 115 | 0.270 | 0.269 | 0.269 | 0.268 | 0.268 | 0.267 | 0.266 | 0.266 | 0.265 | 0.265 |
| 116 | 0.264 | 0.263 | 0.263 | 0.262 | 0.261 | 0.260 | 0.260 | 0.259 | 0.258 | 0.258 |
| 117 | 0.257 | 0.256 | 0.256 | 0.255 | 0.255 | 0.254 | 0.253 | 0.253 | 0.252 | 0.252 |
| 118 | 0.251 | 0.250 | 0.250 | 0.249 | 0.249 | 0.248 | 0.248 | 0.247 | 0.247 | 0.246 |
| 119 | 0.246 | 0.245 | 0.245 | 0.244 | 0.244 | 0.243 | 0.242 | 0.242 | 0.241 | 0.240 |
| 120 | 0.240 | 0.239 | 0.239 | 0.238 | ... | ... | ... | ... | ... | ... |

^A Equivalent digital counter reading = (1.012 – dial indicator reading) 1410.

TABLE A4.7 Guide Table for Standard Knock Intensity at Standard Barometric Pressure^A — $\frac{3}{4}$ in. Venturi Digital Counter Readings for Motor Octane Numbers

NOTE 1—See Tables A4.9 and A4.10 for digital counter reading compensation for the applicable barometric pressure range from 84.4 kPa (25.0 in. Hg) and lower.

| Motor Octane Number | Digital Counter Setting | | | | | | | | | |
|---------------------|-------------------------|-----|-----|-----|-----|-----|-----|-----|-----|-----|
| | 0.0 | 0.1 | 0.2 | 0.3 | 0.4 | 0.5 | 0.6 | 0.7 | 0.8 | 0.9 |
| 40 | ... | ... | ... | ... | ... | ... | ... | ... | ... | ... |
| 41 | ... | ... | 0 | 0 | 1 | 2 | 3 | 3 | 4 | 4 |
| 42 | 5 | 6 | 7 | 7 | 8 | 9 | 10 | 10 | 11 | 11 |
| 43 | 12 | 13 | 14 | 15 | 16 | 16 | 17 | 17 | 18 | 18 |
| 44 | 19 | 20 | 21 | 22 | 23 | 23 | 24 | 24 | 25 | 26 |
| 45 | 27 | 28 | 28 | 29 | 30 | 31 | 31 | 32 | 33 | 34 |
| 46 | 34 | 35 | 35 | 36 | 37 | 38 | 38 | 39 | 40 | 41 |
| 47 | 42 | 43 | 44 | 44 | 45 | 45 | 46 | 47 | 48 | 48 |
| 48 | 49 | 50 | 51 | 52 | 53 | 54 | 54 | 55 | 56 | 56 |
| 49 | 57 | 58 | 59 | 60 | 61 | 62 | 62 | 63 | 63 | 64 |
| 50 | 65 | 66 | 67 | 68 | 69 | 70 | 71 | 72 | 72 | 73 |
| 51 | 74 | 75 | 76 | 76 | 77 | 78 | 79 | 79 | 80 | 81 |
| 52 | 82 | 83 | 84 | 85 | 86 | 86 | 87 | 88 | 89 | 90 |
| 53 | 91 | 92 | 93 | 93 | 94 | 95 | 96 | 97 | 98 | 99 |
| 54 | 100 | 101 | 102 | 103 | 103 | 104 | 105 | 106 | 107 | 108 |
| 55 | 109 | 110 | 110 | 111 | 112 | 113 | 114 | 115 | 116 | 117 |
| 56 | 118 | 119 | 120 | 121 | 122 | 123 | 124 | 125 | 126 | 127 |
| 57 | 128 | 129 | 130 | 131 | 132 | 133 | 134 | 135 | 136 | 137 |
| 58 | 138 | 139 | 140 | 141 | 141 | 142 | 144 | 145 | 146 | 147 |
| 59 | 148 | 149 | 150 | 151 | 152 | 153 | 154 | 155 | 156 | 157 |
| 60 | 158 | 159 | 160 | 161 | 162 | 164 | 165 | 166 | 167 | 168 |
| 61 | 169 | 170 | 171 | 172 | 173 | 174 | 175 | 176 | 178 | 179 |
| 62 | 180 | 181 | 182 | 183 | 185 | 186 | 187 | 188 | 189 | 190 |
| 63 | 192 | 193 | 194 | 195 | 196 | 197 | 199 | 200 | 201 | 202 |
| 64 | 203 | 204 | 206 | 207 | 208 | 209 | 210 | 212 | 213 | 214 |
| 65 | 215 | 216 | 217 | 219 | 220 | 221 | 223 | 224 | 225 | 226 |
| 66 | 227 | 228 | 230 | 231 | 233 | 234 | 235 | 237 | 238 | 239 |
| 67 | 240 | 241 | 243 | 244 | 245 | 247 | 248 | 250 | 251 | 252 |
| 68 | 254 | 255 | 257 | 258 | 259 | 260 | 261 | 262 | 264 | 265 |
| 69 | 266 | 268 | 269 | 271 | 272 | 274 | 275 | 276 | 278 | 279 |
| 70 | 281 | 282 | 283 | 285 | 286 | 288 | 289 | 290 | 292 | 293 |
| 71 | 295 | 296 | 298 | 299 | 300 | 302 | 303 | 305 | 307 | 309 |
| 72 | 310 | 312 | 313 | 314 | 316 | 317 | 319 | 320 | 321 | 323 |
| 73 | 324 | 326 | 327 | 329 | 331 | 333 | 334 | 336 | 337 | 338 |
| 74 | 340 | 341 | 343 | 345 | 347 | 348 | 350 | 351 | 352 | 354 |
| 75 | 356 | 358 | 360 | 361 | 362 | 364 | 366 | 368 | 369 | 371 |
| 76 | 372 | 374 | 376 | 378 | 379 | 381 | 382 | 384 | 386 | 388 |
| 77 | 389 | 391 | 393 | 395 | 396 | 398 | 399 | 401 | 403 | 405 |
| 78 | 406 | 408 | 410 | 412 | 413 | 415 | 417 | 419 | 420 | 422 |
| 79 | 424 | 426 | 427 | 429 | 430 | 432 | 434 | 436 | 438 | 440 |
| 80 | 441 | 443 | 445 | 447 | 448 | 450 | 452 | 454 | 456 | 458 |
| 81 | 460 | 461 | 463 | 465 | 467 | 469 | 471 | 472 | 474 | 476 |
| 82 | 478 | 480 | 482 | 484 | 485 | 487 | 489 | 491 | 493 | 495 |
| 83 | 497 | 499 | 501 | 502 | 504 | 506 | 508 | 510 | 512 | 514 |
| 84 | 516 | 518 | 520 | 522 | 524 | 526 | 528 | 530 | 532 | 534 |
| 85 | 536 | 538 | 540 | 541 | 543 | 545 | 547 | 549 | 551 | 553 |
| 86 | 555 | 557 | 559 | 561 | 563 | 565 | 567 | 569 | 571 | 573 |
| 87 | 575 | 577 | 579 | 581 | 583 | 585 | 587 | 589 | 591 | 593 |
| 88 | 595 | 597 | 599 | 601 | 603 | 605 | 607 | 609 | 612 | 614 |
| 89 | 615 | 617 | 619 | 621 | 623 | 626 | 628 | 630 | 632 | 634 |
| 90 | 636 | 638 | 640 | 642 | 644 | 646 | 648 | 650 | 652 | 654 |
| 91 | 656 | 658 | 660 | 662 | 664 | 666 | 668 | 670 | 672 | 674 |
| 92 | 676 | 678 | 681 | 683 | 685 | 687 | 689 | 691 | 693 | 695 |
| 93 | 697 | 699 | 701 | 703 | 705 | 707 | 709 | 711 | 713 | 715 |
| 94 | 717 | 719 | 721 | 723 | 725 | 727 | 729 | 731 | 733 | 735 |
| 95 | 737 | 739 | 741 | 743 | 745 | 747 | 750 | 752 | 754 | 756 |
| 96 | 758 | 760 | 761 | 763 | 765 | 767 | 769 | 771 | 773 | 775 |
| 97 | 777 | 779 | 781 | 783 | 785 | 787 | 789 | 791 | 792 | 794 |
| 98 | 796 | 798 | 800 | 802 | 804 | 806 | 808 | 809 | 811 | 813 |

TABLE A4.7 *Continued*

| Motor Octane Number | 0.0 | 0.1 | 0.2 | 0.3 | 0.4 | 0.5 | 0.6 | 0.7 | 0.8 | 0.9 |
|---------------------|-------------------------|------|------|------|------|------|------|------|------|------|
| | Digital Counter Setting | | | | | | | | | |
| 99 | 815 | 816 | 818 | 820 | 822 | 824 | 826 | 828 | 829 | 831 |
| 100 | 833 | 836 | 839 | 840 | 842 | 843 | 845 | 847 | 849 | 851 |
| 101 | 852 | 853 | 855 | 857 | 860 | 862 | 863 | 865 | 867 | 869 |
| 102 | 870 | 872 | 874 | 875 | 876 | 878 | 880 | 882 | 884 | 885 |
| 103 | 886 | 887 | 888 | 890 | 891 | 893 | 894 | 895 | 897 | 898 |
| 104 | 900 | 901 | 902 | 904 | 905 | 906 | 907 | 908 | 909 | 911 |
| 105 | 912 | 913 | 914 | 915 | 916 | 916 | 917 | 918 | 919 | 920 |
| 106 | 921 | 922 | 923 | 924 | 925 | 925 | 926 | 927 | 928 | 929 |
| 107 | 930 | 931 | 932 | 933 | 934 | 935 | 936 | 936 | 937 | 938 |
| 108 | 939 | 939 | 940 | 941 | 942 | 943 | 944 | 945 | 946 | 946 |
| 109 | 947 | 948 | 948 | 949 | 949 | 950 | 951 | 952 | 953 | 953 |
| 110 | 954 | 955 | 955 | 956 | 956 | 957 | 957 | 958 | 958 | 959 |
| 111 | 959 | 960 | 961 | 962 | 962 | 963 | 964 | 965 | 966 | 966 |
| 112 | 967 | 968 | 969 | 970 | 971 | 971 | 972 | 973 | 974 | 975 |
| 113 | 976 | 976 | 977 | 977 | 978 | 979 | 980 | 981 | 982 | 983 |
| 114 | 984 | 985 | 986 | 986 | 987 | 988 | 989 | 990 | 991 | 992 |
| 115 | 993 | 994 | 994 | 995 | 997 | 997 | 998 | 1000 | 1001 | 1001 |
| 116 | 1003 | 1004 | 1004 | 1005 | 1005 | 1007 | 1008 | 1008 | 1010 | 1010 |
| 117 | 1011 | 1012 | 1012 | 1014 | 1014 | 1015 | 1017 | 1017 | 1018 | 1018 |
| 118 | 1019 | 1021 | 1021 | 1022 | 1022 | 1024 | 1024 | 1025 | 1025 | 1026 |
| 119 | 1026 | 1028 | 1028 | 1029 | 1029 | 1031 | 1032 | 1032 | 1034 | 1034 |
| 120 | 1035 | 1035 | 1036 | 1038 | ... | ... | ... | ... | ... | ... |

A

$$\text{Equation dial indicator reading} = 1.012 - \frac{\text{digital counter reading}}{1410}$$

TABLE A4.8 Guide Table for Standard Knock Intensity at Standard Barometric Pressure^A —³/₄ in. Venturi Dial Indicator Readings for Motor Octane Numbers

NOTE 1—See Tables A4.9 and A4.10 for dial indicator reading compensation for the applicable barometric pressure range from 84.4 kPa (25.0 in. Hg) and lower.

| Motor Octane Number | Dial Indicator, in. | | | | | | | | | |
|---------------------|---------------------|-------|-------|-------|-------|-------|-------|-------|-------|-------|
| | 0.0 | 0.1 | 0.2 | 0.3 | 0.4 | 0.5 | 0.6 | 0.7 | 0.8 | 0.9 |
| 40 | 1.018 | 1.018 | 1.017 | 1.017 | 1.016 | 1.016 | 1.015 | 1.015 | 1.014 | 1.014 |
| 41 | 1.013 | 1.013 | 1.012 | 1.012 | 1.011 | 1.011 | 1.010 | 1.010 | 1.009 | 1.009 |
| 42 | 1.008 | 1.008 | 1.007 | 1.007 | 1.006 | 1.006 | 1.005 | 1.005 | 1.004 | 1.004 |
| 43 | 1.003 | 1.003 | 1.002 | 1.002 | 1.001 | 1.001 | 1.000 | 1.000 | 0.999 | 0.999 |
| 44 | 0.998 | 0.998 | 0.997 | 0.997 | 0.996 | 0.996 | 0.995 | 0.995 | 0.994 | 0.994 |
| 45 | 0.993 | 0.992 | 0.992 | 0.991 | 0.991 | 0.990 | 0.990 | 0.989 | 0.989 | 0.988 |
| 46 | 0.988 | 0.987 | 0.987 | 0.986 | 0.986 | 0.985 | 0.985 | 0.984 | 0.983 | 0.983 |
| 47 | 0.982 | 0.982 | 0.981 | 0.981 | 0.980 | 0.980 | 0.979 | 0.979 | 0.978 | 0.978 |
| 48 | 0.977 | 0.976 | 0.976 | 0.975 | 0.975 | 0.974 | 0.974 | 0.973 | 0.972 | 0.972 |
| 49 | 0.971 | 0.971 | 0.970 | 0.970 | 0.969 | 0.968 | 0.968 | 0.967 | 0.967 | 0.966 |
| 50 | 0.966 | 0.965 | 0.964 | 0.964 | 0.963 | 0.963 | 0.962 | 0.961 | 0.961 | 0.960 |
| 51 | 0.960 | 0.959 | 0.958 | 0.958 | 0.957 | 0.957 | 0.956 | 0.956 | 0.955 | 0.954 |
| 52 | 0.954 | 0.953 | 0.952 | 0.952 | 0.951 | 0.951 | 0.950 | 0.949 | 0.949 | 0.948 |
| 53 | 0.948 | 0.947 | 0.946 | 0.946 | 0.945 | 0.944 | 0.944 | 0.943 | 0.943 | 0.942 |
| 54 | 0.941 | 0.941 | 0.940 | 0.939 | 0.939 | 0.938 | 0.937 | 0.937 | 0.936 | 0.936 |
| 55 | 0.935 | 0.934 | 0.934 | 0.933 | 0.932 | 0.932 | 0.931 | 0.930 | 0.930 | 0.929 |
| 56 | 0.928 | 0.928 | 0.927 | 0.926 | 0.925 | 0.925 | 0.924 | 0.923 | 0.923 | 0.922 |
| 57 | 0.921 | 0.921 | 0.920 | 0.919 | 0.919 | 0.918 | 0.917 | 0.917 | 0.916 | 0.915 |
| 58 | 0.914 | 0.914 | 0.913 | 0.912 | 0.912 | 0.911 | 0.910 | 0.909 | 0.909 | 0.908 |
| 59 | 0.907 | 0.907 | 0.906 | 0.905 | 0.904 | 0.904 | 0.903 | 0.902 | 0.901 | 0.901 |
| 60 | 0.900 | 0.899 | 0.898 | 0.898 | 0.897 | 0.896 | 0.895 | 0.894 | 0.894 | 0.893 |
| 61 | 0.892 | 0.891 | 0.891 | 0.890 | 0.889 | 0.888 | 0.888 | 0.887 | 0.886 | 0.885 |
| 62 | 0.884 | 0.884 | 0.883 | 0.882 | 0.881 | 0.880 | 0.880 | 0.879 | 0.878 | 0.877 |
| 63 | 0.876 | 0.875 | 0.875 | 0.874 | 0.873 | 0.872 | 0.871 | 0.870 | 0.870 | 0.869 |
| 64 | 0.868 | 0.867 | 0.866 | 0.865 | 0.865 | 0.864 | 0.863 | 0.862 | 0.861 | 0.860 |
| 65 | 0.860 | 0.859 | 0.858 | 0.857 | 0.856 | 0.855 | 0.854 | 0.853 | 0.852 | 0.852 |
| 66 | 0.851 | 0.850 | 0.849 | 0.848 | 0.847 | 0.846 | 0.845 | 0.844 | 0.843 | 0.843 |
| 67 | 0.842 | 0.841 | 0.840 | 0.839 | 0.838 | 0.837 | 0.836 | 0.835 | 0.834 | 0.833 |
| 68 | 0.832 | 0.831 | 0.830 | 0.829 | 0.828 | 0.828 | 0.827 | 0.826 | 0.825 | 0.824 |
| 69 | 0.823 | 0.822 | 0.821 | 0.820 | 0.819 | 0.818 | 0.817 | 0.816 | 0.815 | 0.814 |
| 70 | 0.813 | 0.812 | 0.811 | 0.810 | 0.809 | 0.808 | 0.807 | 0.806 | 0.805 | 0.804 |
| 71 | 0.803 | 0.802 | 0.801 | 0.800 | 0.799 | 0.798 | 0.797 | 0.796 | 0.794 | 0.793 |
| 72 | 0.792 | 0.791 | 0.790 | 0.789 | 0.788 | 0.787 | 0.786 | 0.785 | 0.784 | 0.783 |
| 73 | 0.782 | 0.781 | 0.780 | 0.778 | 0.777 | 0.776 | 0.775 | 0.774 | 0.773 | 0.772 |
| 74 | 0.771 | 0.770 | 0.768 | 0.767 | 0.766 | 0.765 | 0.764 | 0.763 | 0.762 | 0.761 |
| 75 | 0.759 | 0.758 | 0.757 | 0.756 | 0.755 | 0.754 | 0.752 | 0.751 | 0.750 | 0.749 |
| 76 | 0.748 | 0.747 | 0.745 | 0.744 | 0.743 | 0.742 | 0.741 | 0.740 | 0.738 | 0.737 |
| 77 | 0.736 | 0.735 | 0.734 | 0.732 | 0.731 | 0.730 | 0.729 | 0.728 | 0.726 | 0.725 |
| 78 | 0.724 | 0.723 | 0.721 | 0.720 | 0.719 | 0.718 | 0.717 | 0.715 | 0.714 | 0.713 |
| 79 | 0.712 | 0.710 | 0.709 | 0.708 | 0.707 | 0.705 | 0.704 | 0.703 | 0.702 | 0.700 |
| 80 | 0.699 | 0.698 | 0.696 | 0.695 | 0.694 | 0.693 | 0.691 | 0.690 | 0.689 | 0.687 |
| 81 | 0.686 | 0.685 | 0.683 | 0.682 | 0.681 | 0.680 | 0.678 | 0.677 | 0.676 | 0.674 |
| 82 | 0.673 | 0.672 | 0.670 | 0.669 | 0.668 | 0.666 | 0.665 | 0.664 | 0.662 | 0.661 |
| 83 | 0.660 | 0.658 | 0.657 | 0.656 | 0.654 | 0.653 | 0.651 | 0.650 | 0.649 | 0.647 |
| 84 | 0.646 | 0.645 | 0.643 | 0.642 | 0.640 | 0.639 | 0.638 | 0.636 | 0.635 | 0.634 |
| 85 | 0.632 | 0.631 | 0.629 | 0.628 | 0.627 | 0.625 | 0.624 | 0.622 | 0.621 | 0.620 |
| 86 | 0.618 | 0.617 | 0.615 | 0.614 | 0.613 | 0.611 | 0.610 | 0.608 | 0.607 | 0.606 |
| 87 | 0.604 | 0.603 | 0.601 | 0.600 | 0.599 | 0.597 | 0.596 | 0.594 | 0.593 | 0.591 |
| 88 | 0.590 | 0.589 | 0.587 | 0.586 | 0.584 | 0.583 | 0.581 | 0.580 | 0.578 | 0.577 |
| 89 | 0.576 | 0.574 | 0.573 | 0.571 | 0.570 | 0.568 | 0.567 | 0.565 | 0.564 | 0.563 |
| 90 | 0.561 | 0.560 | 0.558 | 0.557 | 0.555 | 0.554 | 0.552 | 0.551 | 0.550 | 0.548 |
| 91 | 0.547 | 0.545 | 0.544 | 0.542 | 0.541 | 0.539 | 0.538 | 0.537 | 0.535 | 0.534 |
| 92 | 0.532 | 0.531 | 0.529 | 0.528 | 0.526 | 0.525 | 0.524 | 0.522 | 0.521 | 0.519 |
| 93 | 0.518 | 0.516 | 0.515 | 0.513 | 0.512 | 0.511 | 0.509 | 0.508 | 0.506 | 0.505 |
| 94 | 0.503 | 0.502 | 0.500 | 0.499 | 0.498 | 0.496 | 0.495 | 0.493 | 0.492 | 0.490 |
| 95 | 0.489 | 0.488 | 0.486 | 0.485 | 0.483 | 0.482 | 0.480 | 0.479 | 0.478 | 0.476 |
| 96 | 0.475 | 0.473 | 0.472 | 0.471 | 0.469 | 0.468 | 0.467 | 0.465 | 0.464 | 0.462 |
| 97 | 0.461 | 0.460 | 0.458 | 0.457 | 0.456 | 0.454 | 0.453 | 0.451 | 0.450 | 0.449 |
| 98 | 0.447 | 0.446 | 0.445 | 0.443 | 0.442 | 0.441 | 0.439 | 0.438 | 0.437 | 0.435 |

TABLE A4.8 *Continued*

| Motor Octane Number | 0.0 | 0.1 | 0.2 | 0.3 | 0.4 | 0.5 | 0.6 | 0.7 | 0.8 | 0.9 |
|---------------------------|---------------------|-------|-------|-------|-------|-------|-------|-------|-------|-------|
| | Dial Indicator, in. | | | | | | | | | |
| 99 | 0.434 | 0.433 | 0.432 | 0.430 | 0.429 | 0.428 | 0.426 | 0.425 | 0.424 | 0.423 |
| 100 | 0.421 | 0.419 | 0.417 | 0.416 | 0.415 | 0.414 | 0.413 | 0.411 | 0.410 | 0.408 |
| 101 | 0.408 | 0.407 | 0.406 | 0.404 | 0.402 | 0.401 | 0.400 | 0.399 | 0.397 | 0.396 |
| 102 | 0.395 | 0.394 | 0.392 | 0.391 | 0.391 | 0.389 | 0.388 | 0.386 | 0.385 | 0.384 |
| 103 | 0.384 | 0.383 | 0.382 | 0.381 | 0.380 | 0.379 | 0.378 | 0.377 | 0.376 | 0.375 |
| 104 | 0.374 | 0.373 | 0.372 | 0.371 | 0.370 | 0.369 | 0.369 | 0.368 | 0.367 | 0.366 |
| 105 | 0.365 | 0.364 | 0.364 | 0.363 | 0.362 | 0.362 | 0.362 | 0.361 | 0.360 | 0.360 |
| 106 | 0.359 | 0.358 | 0.357 | 0.357 | 0.356 | 0.356 | 0.355 | 0.355 | 0.354 | 0.353 |
| 107 | 0.352 | 0.352 | 0.351 | 0.350 | 0.350 | 0.349 | 0.348 | 0.348 | 0.347 | 0.347 |
| 108 | 0.346 | 0.346 | 0.345 | 0.345 | 0.344 | 0.343 | 0.342 | 0.342 | 0.341 | 0.341 |
| 109 | 0.340 | 0.340 | 0.340 | 0.339 | 0.339 | 0.338 | 0.338 | 0.337 | 0.336 | 0.336 |
| 110 | 0.335 | 0.335 | 0.335 | 0.334 | 0.334 | 0.333 | 0.333 | 0.333 | 0.333 | 0.332 |
| 111 | 0.332 | 0.331 | 0.330 | 0.330 | 0.330 | 0.329 | 0.328 | 0.328 | 0.327 | 0.327 |
| 112 | 0.326 | 0.325 | 0.325 | 0.324 | 0.323 | 0.323 | 0.323 | 0.322 | 0.321 | 0.321 |
| 113 | 0.320 | 0.320 | 0.319 | 0.319 | 0.318 | 0.318 | 0.317 | 0.316 | 0.316 | 0.315 |
| 114 | 0.314 | 0.313 | 0.313 | 0.313 | 0.312 | 0.311 | 0.311 | 0.310 | 0.309 | 0.308 |
| 115 | 0.308 | 0.307 | 0.307 | 0.306 | 0.305 | 0.305 | 0.304 | 0.303 | 0.302 | 0.302 |
| 116 | 0.301 | 0.300 | 0.300 | 0.299 | 0.299 | 0.298 | 0.297 | 0.297 | 0.296 | 0.296 |
| 117 | 0.295 | 0.294 | 0.294 | 0.293 | 0.293 | 0.292 | 0.291 | 0.291 | 0.290 | 0.290 |
| 118 | 0.289 | 0.288 | 0.288 | 0.287 | 0.287 | 0.286 | 0.286 | 0.285 | 0.285 | 0.284 |
| 119 | 0.284 | 0.283 | 0.283 | 0.282 | 0.282 | 0.281 | 0.280 | 0.280 | 0.279 | 0.279 |
| 120 | 0.278 | 0.278 | 0.277 | 0.276 | ... | ... | ... | ... | ... | ... |

^A Equivalent digital counter reading = (1.012 – dial indicator reading) 1410.

TABLE A4.9 Compensation for Guide Table Cylinder Height for Barometric Pressures Below 29.92 in. Hg^A

NOTE 1—This table was developed for barometric pressure in terms of inches and tenths of inches of Hg. Conversion to kPa values is only shown for the whole number in. Hg pressure listings.

NOTE 2—To determine the cylinder height measure that provides standard K.I. at a prevailing barometric pressure below 29.92 in. Hg:
 ADD the listed digital counter correction to the guide table digital counter reading.
 SUBTRACT the listed dial indicator correction reading from the guide table dial indicator reading.

NOTE 3—To convert an observed engine cylinder height measure at the prevailing barometric pressure to that of 29.92 in. Hg:
 SUBTRACT the listed digital counter correction from the observed engine digital counter reading.
 ADD the listed dial indicator correction to the observed engine dial indicator reading.

| Barometric Pressure, in. Hg (kPa) [†] | | 0.0 | 0.1 | 0.2 | 0.3 | 0.4 | 0.5 | 0.6 | 0.7 | 0.8 | 0.9 |
|--|----------------------------|-------|-------|-------|-------|-------|-------|-------|-------|-------|-------|
| 22.0 (74.5) | Digital counter correction | 336 | 331 | 327 | 323 | 319 | 314 | 310 | 306 | 302 | 296 |
| | Dial indicator correction | 0.238 | 0.235 | 0.232 | 0.229 | 0.226 | 0.223 | 0.220 | 0.217 | 0.214 | 0.211 |
| 23.0 (77.9) | Digital counter correction | 293 | 289 | 285 | 281 | 276 | 272 | 268 | 264 | 259 | 255 |
| | Dial indicator correction | 0.208 | 0.205 | 0.202 | 0.199 | 0.196 | 0.193 | 0.190 | 0.187 | 0.184 | 0.181 |
| 24.0 (81.3) | Digital counter correction | 251 | 247 | 243 | 238 | 234 | 230 | 226 | 221 | 217 | 213 |
| | Dial indicator correction | 0.178 | 0.175 | 0.172 | 0.169 | 0.166 | 0.163 | 0.160 | 0.157 | 0.154 | 0.151 |
| 25.0 (84.6) | Digital counter correction | 209 | 204 | 200 | 196 | 192 | 188 | 183 | 179 | 175 | 171 |
| | Dial indicator correction | 0.148 | 0.145 | 0.142 | 0.139 | 0.136 | 0.133 | 0.130 | 0.127 | 0.124 | 0.121 |
| 26.0 (88.0) | Digital counter correction | 166 | 162 | 158 | 154 | 149 | 145 | 141 | 137 | 133 | 128 |
| | Dial indicator correction | 0.118 | 0.115 | 0.112 | 0.109 | 0.106 | 0.103 | 0.100 | 0.097 | 0.094 | 0.091 |
| 27.0 (91.4) | Digital counter correction | 124 | 120 | 116 | 111 | 107 | 103 | 99 | 94 | 90 | 86 |
| | Dial indicator correction | 0.086 | 0.085 | 0.082 | 0.079 | 0.076 | 0.073 | 0.070 | 0.067 | 0.064 | 0.061 |
| 28.0 (94.8) | Digital counter correction | 82 | 78 | 73 | 69 | 65 | 61 | 56 | 52 | 48 | 44 |
| | Dial indicator correction | 0.058 | 0.055 | 0.052 | 0.049 | 0.046 | 0.043 | 0.040 | 0.037 | 0.034 | 0.031 |
| 29.0 (98.2) | Digital counter correction | 39 | 35 | 31 | 27 | 23 | 18 | 14 | 10 | 6 | 1 |
| | Dial indicator correction | 0.028 | 0.025 | 0.022 | 0.019 | 0.016 | 0.013 | 0.010 | 0.007 | 0.004 | 0.001 |

^A To set the digital counter so that the lower counter reading is compensated to 29.92 in. Hg, position the selector knob so that the lower counter is disengaged (positions other than 1), change the engine cylinder height so that the upper and lower counter readings differ by the value listed in this table for the prevailing barometric pressure, and then reposition the selector knob to position 1.

Upper digital counter reading must be greater than the lower compensated reading for barometric pressures numerically less than 29.92 in. Hg.

Upper digital counter reading must be less than the lower compensated reading for barometric pressures numerically greater than 29.92 in. Hg.

[†] Editorially corrected.

TABLE A4.10 Compensation for Guide Table Cylinder Height for Barometric Pressures Above 29.92 in Hg^A

NOTE 1—To determine the cylinder height measure that provides standard K.I. at a prevailing barometric pressure above 29.92 in. Hg:
 SUBTRACT the listed dial digital counter correction from the guide table digital counter reading.
 ADD the listed dial indicator correction to the guide table dial indicator reading.

NOTE 2—To convert an observed engine cylinder height measure at the prevailing barometric pressure to that of 29.92 in. Hg:
 ADD the listed digital counter correction to the observed engine digital counter reading.
 SUBTRACT the listed dial indicator correction from the observed engine dial indicator reading.

| Barometric Pressure, in. Hg (kPa) [†] | | 0.0 | 0.1 | 0.2 | 0.3 | 0.4 | 0.5 | 0.6 | 0.7 | 0.8 | 0.9 |
|--|----------------------------|-------|-------|-------|-------|-------|-------|-------|-------|-------|-------|
| 30.0 (101.6) | Digital counter correction | 3 | 7 | 11 | 16 | 20 | 24 | 28 | 32 | 37 | 41 |
| | Dial indicator correction | 0.002 | 0.005 | 0.008 | 0.011 | 0.014 | 0.017 | 0.020 | 0.023 | 0.026 | 0.029 |

^A To set the digital counter so that the lower counter reading is compensated to 29.92 in. Hg, position the selector knob so that the lower counter is disengaged (positions other than 1), change the engine cylinder height so that the upper and lower counter readings differ by the value listed in this table for the prevailing barometric pressure, and then reposition the selector knob to position 1.

Upper digital counter reading must be less than the lower compensated reading for barometric pressures numerically greater than 29.92 in. Hg.

[†] Editorially corrected.

APPENDIXES
(Nonmandatory Information)
X1. AUXILIARY EQUIPMENT

X1.1 Sample Fuel and Reference Fuel Delivery Components—Introduction of fuel to the carburetor vertical jet and a means to switch from one fuel to another may be accomplished in numerous ways as long as the flow of fuel through the carburetor permits the determination of the fuel-air ratio for maximum K.I. as dictated by any one of the test procedures. Typical assemblies are as follows:

X1.1.1 Carburetor Selector—Valve Assembly, 3 Bowl or 4 Bowl designed to fasten to the carburetor vertical jet flange for delivery of liquid fuel into the jet through a rotary selector-valve supplied by either three or four sources of fuel. The selector-valve assembly incorporates stanchions that project outward like spokes. Each stanchion houses an interchangeable horizontal jet, supports a vertically mounted sight glass tube to indicate the level of the particular fuel, includes an inlet opening at the base of the sight glass for connection to the source container for that particular fuel, and has a drain connection for fast disposal of unwanted fuel from both the source container and the selector-valve passages.

X1.1.2 Fuel Tank—Float Reservoir Assembly, three or four required applicable when using testing procedures that depend on establishing and maintaining the fuel level for the maximum K.I. condition. Each assembly includes a fuel tank sight glass assembly and a check valve at the bottom of the tank operated by a float to establish a constant fuel level in the float reservoir. These assemblies are supported on carburetor posts integral with a bracket (bar) that is fastened to the carburetor body. A two-lead screw and nut assembly with adjusting knob is installed in the post and the fuel tank, float reservoir assembly fastens to the nut so that as the screw is rotated by the knob, the assembly is raised or lowered.

X1.1.2.1 Fuel Tank, without cooling jacket, is applicable for reference fuels and also for sample fuels that do not require chilling. A fuel tank with cooling jacket is applicable for sample fuels only.

X1.1.2.2 Float Reservoir (chamber), without cooling jacket, is applicable for reference fuels and also for sample fuels that do not require chilling. A float reservoir (chamber), with cooling jacket is applicable for sample fuels only.

X1.1.3 Falling Level Reservoir Assembly—Apparatus for systems that depend on controlled change in fuel level to vary fuel-air ratio at a constant rate from a rich to lean mixture.

NOTE X1.1—Falling level reservoir assemblies are utilized for the bracketing—dynamic fuel level test procedure of this test method and by some on-line octane analyzer systems for application of Test Method **D2885**.

X1.1.4 Spill Carburetor Reservoir Assembly—Applicable for systems that depend on delivering a continuous flow of sample fuel so that fuel in the vertical jet of the carburetor is maintained at a constant level located within the range from 0.7 in. to 1.7 in. referenced to the centerline of the carburetor venturi. This type of apparatus requires use of an adjustable delivery (horizontal) jet to vary fuel-air ratio and establish the proper setting for maximum K. I.

NOTE X1.2—A spill carburetor assembly is utilized by some on-line octane analyzer systems for application of Test Method **D2885**.

X1.2 Fuel Flow Control Jet—An orifice having an internal diameter sized to restrict fuel flow to the vertical jet of the carburetor for use with fuel delivery systems that are dependent on establishing a fuel level in the vertical jet that is within a specified dimension referenced to the centerline of the carburetor venturi.

X1.2.1 Horizontal Jet—Specify hole size for method and operating conditions.

X1.2.2 Carburetor Adjustable Horizontal Jet Assembly—Alternative equipment for a hole-size jet. Install a tapered needle, screw adjustable, with or without a graduated scale, so that the needle enters a standard horizontal jet, which is drilled to approximately a 0.050-in. diameter. Adjustment of the needle permits changing the flow characteristics of fuel delivered to the vertical jet of the carburetor. A change in needle setting effectively changes the fuel level at which the fuel-air ratio for maximum K.I. occurs for a specific fuel.

X1.3 Cooling System Requirements—The cooling coil in the condenser should be supplied with clean water at a minimum rate of 5.7 L (1.5 gal) per minute, a maximum temperature of 24 °C (75 °F), with a minimum pressure of 276 kPa (40 psi).

X2. VOLUMETRIC REFERENCE FUEL BLENDING APPARATUS AND PROCEDURES

X2.1 *Background*—PRFs and TSF are supplied in bulk containers of 5 U.S. gal and 55 U.S. gal capacity (0.019 m³ or 0.208 m³) and for laboratory safety reasons these quantities are typically stored in a special fuel storage room or outside of the engine laboratory.

X2.2 *Delivery from Storage*—Delivery of reference fuel material from the bulk storage container to a dispensing apparatus in the engine laboratory may be handled in any of several ways. The equipment and procedures required for delivery of the reference fuel materials are the responsibility of the user of this standard.

X2.3 *Dispensing Equipment*—A common means of accurately measuring reference fuel blend volumes applies a matched set of calibrated glass burets, one for each of the four fuels that are the blend constituents. Fuel is dispensed either through an internal glass stopcock or a separate valve.

X2.3.1 Burets of glass with an automatic zero top fitting provide accurate, efficient, and convenient measurement. Two styles are commercially available: single burets having graduations from 0 % to 100 %, and a two buret combination with the graduated section of each measuring just 50 % of the batch amount.

X2.3.1.1 *Single Buret Style*—A glass buret with an automatic zero and overflow dome as illustrated in Fig. X2.1. Burets of this style are commonly fabricated in 300 mL, 400 mL, or 500 mL capacities. Specifications for a typical 500 mL buret are given in Table X2.1.

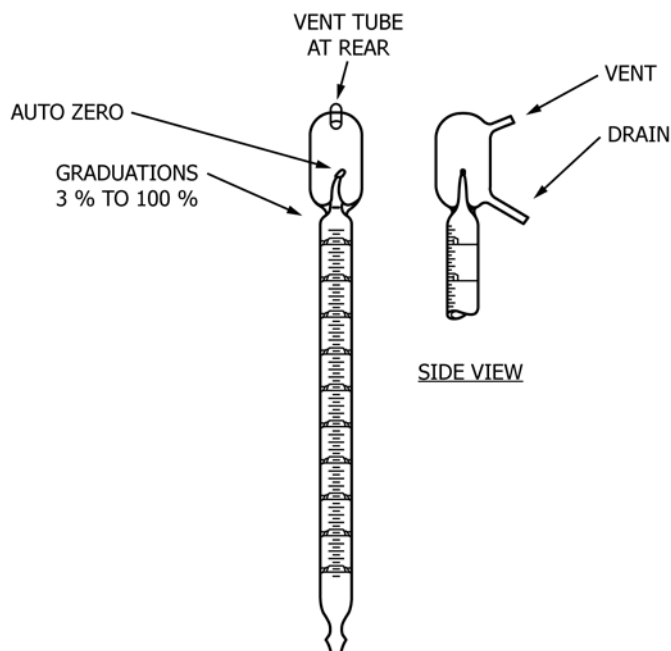


FIG. X2.1 Typical Reference Material Dispensing Apparatus—Single Buret Style

X2.3.1.2 *Two Buret Style*—Typical burets of both types are illustrated in Fig. X2.2. Specifications for these burets applicable for a blend volume of 400 mL are given in Table X2.2.

(1) One type consists of an automatic zero and overflow dome, a glass half-capacity bulb, and a straight graduated section. This buret is calibrated from 0 % to 50 % on one side of the straight section and 50 % to 100 % on the other side of the straight section.

(2) The second type consists of an automatic zero and overflow dome and just a straight graduated section, calibrated on one side from 0 % to 50 % and on the other side from 50 % to 100 %.

X2.3.2 *Separate Dispensing Valves*—It is common practice to utilize burets that do not have a dispensing stopcock. Bottom delivery from the buret is from a straight tubing bib that is connected by plastic tubing to a three-way valve similar to that shown in Fig. X2.3. The most important feature of such a valve assembly is the dispensing fitting, which is formed so that only a very minimum of drip can occur if the collection container is inadvertently touched against the orifice tip.

X2.4 *System Installation and Operation*—User experience with reference fuel systems has pointed out a number of important aspects that support the following recommendations:

X2.4.1 Install a separate buret for each reference and standardization fuel.

X2.4.2 Mount burets vertically at an elevation that permits horizontal sighting of all calibration marks.

X2.4.3 To minimize blending error, the dispensing system, including the buret and delivery valve, shall include a restriction, external to the buret, to limit the flow to no more than 400 mL/min.

X2.4.4 Mount burets in a manner that ensures freedom from vibration.

X2.4.5 Store bulk reference fuel containers and provide appropriate tubing for delivery of the fuels to the dispensing burets in accordance with the instructions of the manufacturer and in compliance with all local codes and regulations.

X2.4.5.1 Equip bulk reference fuel containers with vacuum/pressure relief fittings to maintain container internal pressure close to atmospheric pressure and minimize container vapor space breathing to the atmosphere.

X2.4.5.2 Connect bulk fuel containers to dispensing burets using stainless steel or other opaque tubing that will not react with the reference fuel.

X2.4.5.3 Avoid the use of gravity flow delivery of reference or standardization fuel to burets.

X2.4.6 Thoroughly clean burets on a regular basis to minimize hang-up or clinging on the inner surface of the buret that can lead to blending errors.

X2.4.7 Avoid filling burets until a blend is required in order to minimize any tendency for deterioration of the fuel by exposure to light.

TABLE X2.1 Typical Single Buret Style Specifications

| | | |
|--|----|---------|
| Buret capacity | mL | 500 |
| Automatic zero | | Yes |
| Graduations: | | |
| major marks | % | 5 |
| minor marks | % | 1 |
| Internal diameter of graduated tube: | | |
| minimum | mm | 32 |
| maximum | mm | 34 |
| Scale length, 5 to 100 %: | | |
| minimum | mm | 523 |
| maximum | mm | 591 |
| Length, top of overflow bulk to 5 % mark (nominal) | mm | 100/120 |
| Overall length (including tip): | | |
| minimum | mm | 650 |
| Scale error (maximum) | % | ±0.1 |

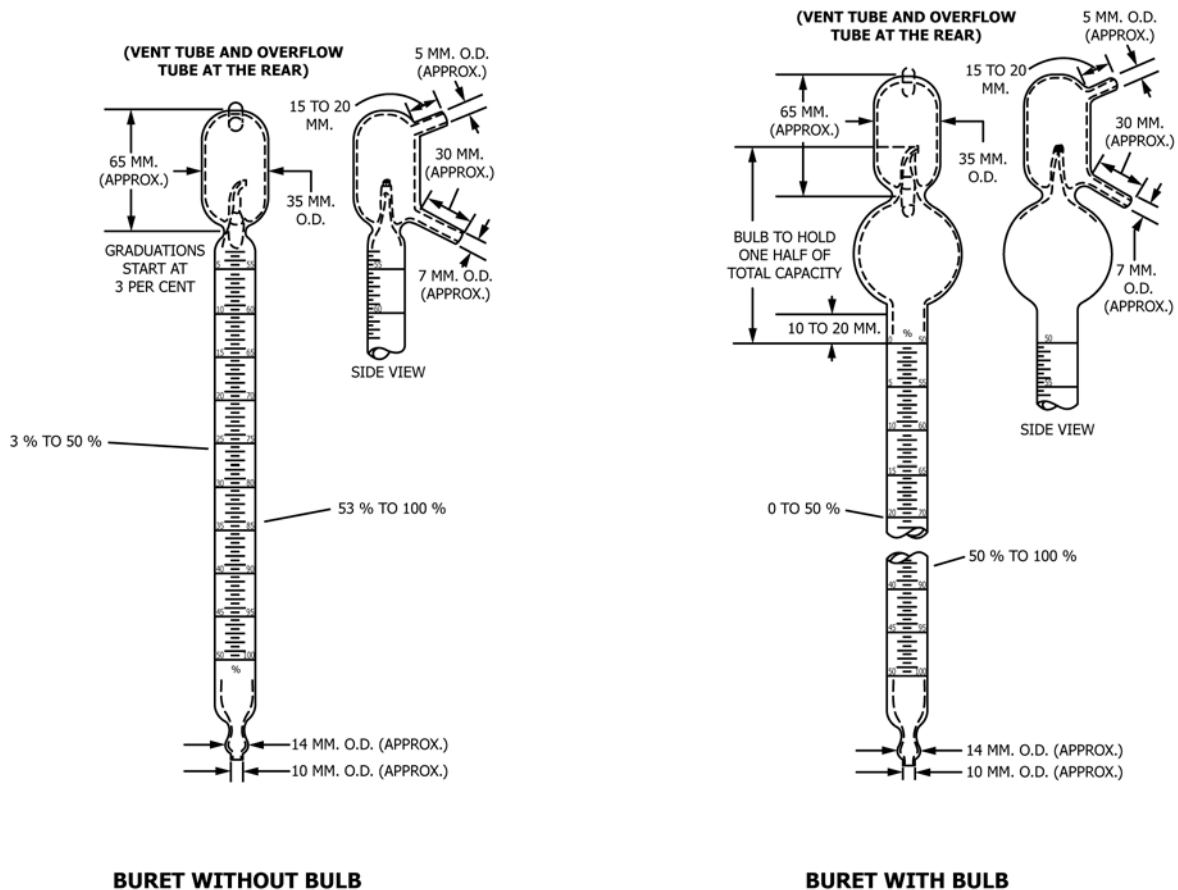


FIG. X2.2 Typical Reference Material Dispensing Apparatus Two-Buret Style

X2.5 Procedure for Use of Buret System:

X2.5.1 To fill the buret, set the valve or stopcock to FILL position so that fuel rises in the buret until it overflows at the automatic zero. Stop filling by setting the valve to OFF position. Check that any bubbles are purged at the zero tip and refill the tip, if necessary.

X2.5.2 To dispense fuel, set the valve to DISPENSE position so that fuel is delivered to the collection container. Stop

dispensing by setting the valve to OFF position while carefully noting the level of the fuel in the calibrated section of the buret and locating the bottom of the liquid meniscus at the desired volume percent mark.

X2.5.3 Before drawing a measured volume, make certain that the tip of the dispensing tube is full. When the measured volume has been collected, be certain not to drain any fuel from the tip of the dispensing tube as this will cause an error.

TABLE X2.2 Typical Two Buret Style Specifications

| Buret Without Half-Capacity Bulb | | |
|--|----|-----------|
| Buret capacity | mL | 200 |
| Automatic zero | | Yes |
| Graduations: | | |
| left side | % | 0 to 50 |
| right side | % | 50 to 100 |
| Internal diameter of graduated tube: | | |
| minimum | mm | 21.2 |
| maximum | mm | 22.5 |
| Scale length: | | |
| minimum, 5 to 50 % and 55 to 100 % | mm | 450 |
| maximum, 5 to 55 % and 55 to 100 % | mm | 495 |
| Length, bottom of overflow bulb to lower end: | | |
| minimum | mm | 595 |
| maximum | mm | 605 |
| Scale error (maximum) | % | ±0.1 |
| Buret With Half-Capacity Bulb | | |
| Buret capacity | mL | 400 |
| Automatic zero | | Yes |
| Outside diameter of half-capacity bulb (approximate) | mm | 81 |
| Graduations on straight section: | | |
| left side | % | 0 to 50 |
| right side | % | 50 to 100 |
| Internal diameter of graduated tube: | | |
| minimum | mm | 21.5 |
| maximum | mm | 22.5 |
| Scale length: | | |
| minimum, 5 to 50 and 55 to 100 % | mm | 500 |
| maximum, 5 to 50 and 55 to 100 % | mm | 550 |
| Length, bottom of half-capacity bulb to lower end: | | |
| minimum | mm | 620 |
| maximum | mm | 630 |
| Scale error (maximum) | % | ±0.1 |

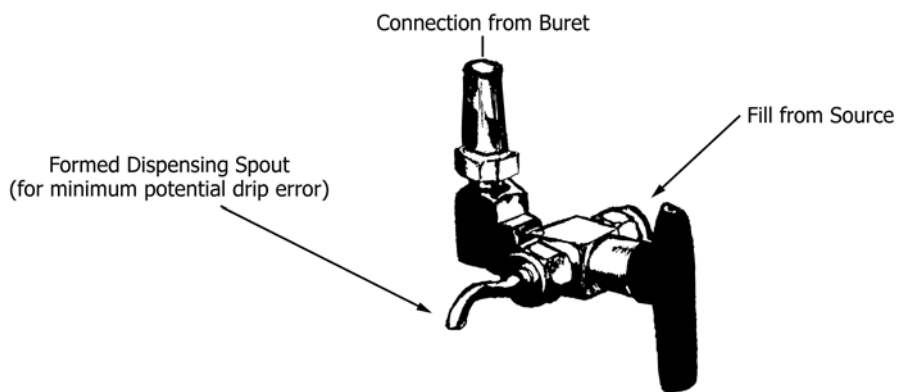


FIG. X2.3 Typical Fill/Dispense Valve

X3. OPERATING TECHNIQUES—ADJUSTMENT OF VARIABLES

X3.1 *Adjusting C.R.*—C.R. varies when the cylinder is moved up and down in the clamping sleeve by means of a worm-gear drive, which is operated either by a hand crank or by an instrument panel controlled gearmotor.

X3.1.1 When the unit is equipped with a hand crank, the cylinder clamping sleeve cam lever must be loosened before cranking in either direction. To increase C.R., lower the cylinder in the sleeve, rotate the crank in a counterclockwise direction. To decrease C.R., rotate the crank in a clockwise direction. After each change of cylinder position, move the cam lever so that the cam flat contacts the clamping washers to tighten the clamping sleeve, thereby applying a repeatable

pressure on the clamping sleeve. The cam lever setting should maintain constant cylinder clamp tightness regardless of the angular position of the crank after a change. Typically, with the cam in the locked position, 10 lbf-ft torque on the cam stud nuts is adequate, but torque should never exceed 25 lbf-ft to avoid cylinder distortion.

X3.1.2 Units equipped with a motorized C.R. change motor, do not require loosening of the cylinder clamp when a C.R. change is made. The gearmotor is equipped with a brake that prevents worm shaft rotation unless the motor is operated. A solenoid releases the brake when the motor is actuated in either direction. Although the cam lever is unnecessary for units

equipped with the motor changer, the clamping sleeve bolt and nut combination must be tightened slightly to prevent vibration of the cylinder in the sleeve. A torque setting of approximately 5 lbf-ft on the clamp nuts is typically effective.

X3.1.3 Measurement of cylinder height is accomplished using either a dial indicator assembly mounted on the cylinder and clamping sleeve or through use of the digital counter that is driven by the worm screw to provide a reading for each cylinder position. These devices require indexing to a specific cylinder position each time a unit is reassembled. The dial indicator and digital counter readings are thus related to engine C.R.

X3.2 *Fuel-Air Ratio Adjustment:*

X3.2.1 All O.N. determinations require that the knockmeter reading of significance be that which occurs at the fuel-air ratio that causes a maximum knock condition. This applies to both sample fuels and reference fuel blends. Fuel-air ratio is adjusted by raising or lowering the fuel level in the carburetor vertical jet. For the typical float reservoir equipped engine, fuel level in the sight glass is adjusted by turning the screw knob at the bottom of the float reservoir assembly. To ensure satisfactory fuel atomization, it is required that the fuel level for maximum knock be between 0.7 and 1.7 on the sight glass. If this is not the case, the horizontal metering jet (in the passage between the sight glass and selector-valve) must be changed to a different size. If the fuel level is too high, a larger orifice horizontal jet is needed, and vice versa.

X3.2.2 Use of the falling level principle, which uses a bowl of specific cross-sectional area to deliver fuel to the horizontal jet, accomplishes the same function. As the charge of fuel is consumed, the level automatically falls and the maximum knockmeter reading can be observed. Fuel-air ratio changes can also be accomplished by maintaining a constant fuel level to an adjustable valve installed instead of the fixed orifice horizontal jet. Opening the adjusting valve richens the mixture and vice versa.

X3.3 *Preparations Before Starting the Engine:*

X3.3.1 Check the jacket coolant level in the condenser sight glass.

X3.3.2 Check the engine crankcase lubricating oil level in the crankcase oil sight glass.

X3.3.3 Turn on the crankcase oil heater or oil heat temperature controller. Normally, if the temperature controller is left on at a setting of approximately 8, the oil will stay near the proper operating temperature.

X3.3.4 Check the engine crankcase breather assembly to ensure it is clean and operable.

X3.3.5 If an ice tower is used, fill the tower with ice. The depth of ice in the tower should not be allowed to be less than 920 mm (approximately 36 in.). If an intake air refrigeration unit is used, turn the switch on.

X3.3.6 Adjust the cylinder height to ensure that the C.R. is low enough that severe knock is avoided when the engine is firing.

X3.3.7 Lightly tap the fuel selector-valve knob in a downward direction using a screwdriver handle or other similar tool. This will ensure the plug is not seized in the valve body when it is necessary to rotate the valve. (**Warning**—Avoid attempting to rotate the selector-valve knob if it resists turning. Rotation can score the plug and valve body and cause fuel leakage.)

X3.3.8 Fill one of the fuel tanks with the selected warm-up fuel, and purge any air bubbles from the tubing and sight glass. Adjust the fuel level so that the engine will operate at approximately the fuel-air ratio for maximum K.I.

X3.3.9 Open the cooling water valve or check that cooling water will be available for the coolant condenser when the engine is started.

X3.3.10 Check that the ignition switch is turned off.

X3.3.11 Manually rotate the engine crankshaft three or four complete revolutions to ensure that all parts move freely. Complete the cranking so that the flywheel is positioned at tdc on the compression stroke to minimize the load on the synchronous-reluctance motor when the engine is started.

X3.4 *Starting the Engine*—It is assumed that the engine has been commissioned and is in operable condition and that electrical circuits and cooling water are available on demand.

X3.4.1 Check that the fuel-selector valve is positioned between two bowl marks so that fuel will not enter the carburetor initially.

X3.4.2 Position the off-run-start switch to start and hold it in start position for a few seconds to allow oil pressure to rise sufficiently to actuate the engine run circuitry so that the engine continues to operate when the start switch is released to the run position.

X3.4.3 Check that the temperature controller for the air/mixture heater(s) is on and functioning.

X3.4.4 Rotate the fuel selector-valve to deliver the warm-up fuel to the combustion chamber.

X3.4.5 Turn on the ignition switch so that the engine begins to fire.

X3.4.6 As the engine begins to warm up, adjust the cylinder height to produce a very light knock sound. As warm-up progresses, the knock level will increase.

X3.4.7 Oil the rocker arm assembly using SAE 30 Grade engine crankcase lubricating oil.

X3.4.8 During the warm-up period, observe the following conditions:

X3.4.8.1 Oil pressure is steady and within specification.

X3.4.8.2 Crankcase pressure indicates a slight vacuum.

X3.4.8.3 Temperatures come to equilibrium within specification.

X3.4.8.4 The cylinder jacket coolant water rises in the condenser sight glass until it is at the LEVEL HOT mark.

X3.4.8.5 Cooling water is discharged from the unit at a steady rate.

X3.4.9 As a final check before using the engine for rating, perform the following:

X3.4.9.1 Check valve clearances, hot and running, and make any necessary adjustments.

X3.4.9.2 Check spark timing.

X3.4.9.3 Switch to a PRF blend of appropriate O.N., set the cylinder height to the guide table value, compensated for barometric pressure, adjust the carburetor fuel level to obtain maximum knockmeter reading, and set the detonation meter METER READING and SPREAD dials to provide satisfactory spread with the knockmeter reading at 50.

X3.5 *Stopping the Engine:*

X3.5.1 To stop the engine, turn the ignition switch to OFF and position the stop/run/start switch to STOP.

X3.5.2 Drain all fuel from the engine carburetor.

X3.5.3 Using the hand crank, manually rotate the crankshaft to position it at tdc on the compression stroke so that the intake and exhaust valves are closed. This will minimize possible valve warpage or corrosion in the combustion chamber between operating periods.

X3.5.4 Turn off the cooling water to the coolant condenser.

X3.6 *Checking Exhaust and Crankcase Breather Systems for Resonance:*

X3.6.1 Resonance in the piping systems can occur when the configuration creates a critical length/volume relationship. A resonant condition affects the primary pressure within the system and can affect critical operating conditions.

X3.6.2 Exhaust system resonance may be checked by providing either a ¾ in. or larger gate or ball valve at the exhaust surge tank or close to the engine exhaust port. Opening the valve should drastically change the exhaust discharge configuration while the engine is operating at standard conditions if resonance is occurring.

X3.6.2.1 Operate the engine at standard conditions on a typical sample or reference fuel and allow sufficient time for the knockmeter reading to stabilize. Observe the knockmeter reading.

X3.6.2.2 Open the valve or affect the change in exhaust piping while the engine continues to operate.

X3.6.2.3 If the knockmeter reading is not affected, resonance does not occur and the piping system is satisfactory.

X3.6.2.4 If the knockmeter reading is affected when the valve is opened, resonance may be a factor and typically a change in the length of the exhaust discharge pipe will correct the condition.

X3.6.3 Crankcase breather system resonance typically causes the crankcase pressure to be positive. Resonance in the discharge piping is not a problem as long as the operating engine creates a crankcase vacuum.

X4. MAINTENANCE TECHNIQUES

X4.1 *Importance of Maintenance*—The need for proper maintenance of the knock testing unit cannot be overemphasized if reliable O.N. ratings of sample fuels are to be obtained. The care used in the inspection, adjustment, and especially the overhaul of the combustion chamber components is a major factor in achieving these aims.

X4.2 *Types of Maintenance:*

X4.2.1 *Daily Checks*—Those checks associated with the preparations before starting the engine as detailed in **Appendix X3**.

X4.2.2 *Top Overhaul*—The generally accepted term used to describe valve reconditioning, the cleaning of the combustion chamber, piston, piston rings, and the cleaning of the coolant jacket passages and the coolant condenser. Some other parts may also be given attention during a top overhaul, depending on need.

X4.2.3 *Crankcase/Unit Inspection*—Encompasses crankcase cleaning, mechanical component wear checks, alarm function checks, power absorption motor inspection, belt tension adjustment, instrumentation checks, and so forth.

X4.2.3.1 The recommended interval between crankcase/unit inspections is every 2000 h of operation or biannually, whichever comes first. Model CFR-48 crankcases can be completely restored by the manufacturer. (**Warning**—Deactivate the engine unit before performing any maintenance. Shut off electrical power at the main disconnect, lock out, if possible. Place a

WARNING notice on the unit panel indicating repairs are in process and that no attempt is to be made to start the engine. Shut off coolant water to the unit.)

X4.2.4 *Auxiliary Equipment Maintenance*—Volumetric glassware such as reference fuel blending burets should be chemically cleaned on a regular basis to ensure accurate volumetric measurement.

X4.2.4.1 Quarterly cleaning of volumetric apparatus is recommended.

X4.2.5 *Carbon Blasting*—Combustion chamber deposits can be effectively removed by carbon blasting without removal of the cylinder from the engine. Performed on a regular basis between top overhauls, this technique effectively extends the period of time between these mechanical overhauls.²³

X4.2.5.1 Blasting is done through the intake and exhaust ports and the spark plug hole. The return line for removal of the deposits and spent blasting material is attached to the hole for the detonation pickup.

X4.2.5.2 Complete blasting procedure instructions are included with the carbon blasting kit and all phases of the procedure should be carried out for effective results.

X4.3 *Top Overhaul Procedures:*

²³ A carbon blaster kit specific for CFR engine units is available from Waukesha Engine Division, Dresser Industries, Inc., 1000 St. Paul Ave., Waukesha, WI 53188.

X4.3.1 Disassemble the complete cylinder/clamping sleeve assembly from the engine crankcase. Components to be removed include:

X4.3.1.1 Detonation pickup, spark plug, all thermometers and temperature sensors.

X4.3.1.2 C.R. gearmotor assembly from the clamping sleeve. If a dial indicator is in use, remove it from the cylinder.

X4.3.1.3 All intake air system components, the carburetor, carburetor heat shield, and the intake mixture manifold assembly.

X4.3.1.4 Cooling water lines at the coolant condenser and the exhaust pipe.

X4.3.1.5 Disconnect the applicable exhaust system components from the cylinder exhaust port.

X4.3.1.6 Coolant condenser and water return pipe from the cylinder assembly.

X4.3.1.7 Disconnect the spark advance bracket from the cylinder.

X4.3.1.8 Loosen the long rocker arm support bolts which fasten the support to the clamping sleeve. Remove the valve half-balls. Remove the push rods.

NOTE X4.1—Marking of push rods as intake and exhaust ensures they will be reassembled in the same positions.

X4.3.1.9 Cylinder and clamping sleeve as an assembly after removal of the five clamping sleeve stud nuts.

X4.3.1.10 Piston from connecting rod.

X4.3.2 Separate the cylinder from the clamping sleeve as follows:

X4.3.2.1 Remove the two bolts from the long rocker arm support and separate the support from the clamping sleeve.

X4.3.2.2 Remove the water inlet pipe assembly from the cylinder.

X4.3.2.3 Remove the cylinder from the clamping sleeve.

X4.3.3 Disassemble the valve tapers, retainer and rotator assembly, springs, and valves from the cylinder. Remove the roll pin from the intake valve stem to remove this valve.

X4.3.4 *Component Cleaning*—All combustion deposits, gasket material, rust, and so forth should be removed from components.

X4.3.4.1 Commercial chemical cleaning solutions may be used in accordance with manufacturer's instructions as long as they do not etch or affect the surface finish of the machined surfaces. Except for the detonation pickup and temperature sensors, use of ultrasonic bath equipment has been demonstrated to be effective and the heating of some cleaning solutions can also be beneficial. (**Warning**—Chemical cleaning solutions are poisonous and may be harmful or fatal if inhaled or swallowed. See [Annex A1](#).)

X4.3.4.2 Scraping, brass wire brushes (manually or power driven), and fine steel wool have been found to be effective cleaning aids.

X4.3.4.3 Complete any cleaning sequence by rinsing all parts with a solvent.

X4.3.5 *Cylinder*:

X4.3.5.1 Check the cylinder bore diameter at the top, middle, and bottom areas of ring travel in two planes, which

are 90° apart. Replace the cylinder if the internal diameter at the area of maximum wear is more than 0.006 in. larger than the unworn skirt internal diameter. Replace the cylinder if the bore is out-of-round in excess of 0.0025 in.

X4.3.5.2 Cylinders rebored to 0.010 in., 0.020 in., and 0.030 in. larger than the original 3.250 in. diameter are permitted and the same wear limits apply based on the unworn skirt diameter of the rebore.

X4.3.5.3 *Valve Guides*—Replace a guide when the internal diameter exceeds the wear limit. Replacement requires special tools.

X4.3.5.4 *Valves*—Replace if stem is badly scuffed or stem diameter is less than the replacement limit. Reface to 45° using a valve refacing (grinding) machine so that face runout is less than 0.0015 in. Replace the valve if grinding has created a margin of less than 1/32 in.

X4.3.5.5 *Valve Seats*—Reface seats using a valve seat grinding machine or a valve seat cutter kit. Use a 45° seat angle and subsequently lap the valve to the seat. Alternatively, an interference angle approach may be utilized by refacing the seat at both 46° and 15° so that the intersecting line becomes the contact surface with a 45° faced valve. When an interference angle approach is utilized, lapping may be performed, but extreme care must be taken to exert very light pressure to prevent creating a groove in the valve face.

X4.3.5.6 *Valve to Valve Seat Match-up*—Check the valve to seat contact. Lapped valve seat width must not exceed 0.070 in. as viewed on the valve. The top edge of the contact line or area shall be at least 0.030 in. from the top edge of the faced portion of the valve.

X4.3.5.7 *Valve Rotators*—Inspect the races, which should rotate freely, so that when the engine is operating, the valve rotates at approximately 1 r/min to 2 r/min.

X4.3.5.8 *Valve Reassembling*—Install valves in the cylinder with felt lubrication washers, springs, retainer (intake), rotator assembly (exhaust), and tapers. Carefully install the intake valve with the opening of the shroud facing the pickup hole before inserting the roll pin into the valve stem through the slot in the valve guide. Install valve springs with closely wound coils next to the cylinder oil tray.

X4.3.5.9 *Rocker Arm Assembly*:

(1) Inspect each rocker for excessive bearing wear or wobble of the rocker shaft.

(2) Inspect the rocker adjusting screws for galled ball ends and also for damaged Phillips screwdriver slots.

(3) Inspect the rocker ball sockets for wear or galling.

(4) Replace any worn or out of specification parts.

X4.3.6 *Piston and Rings*:

X4.3.6.1 Replace the piston if there is evidence of scoring or a wear pattern.

X4.3.6.2 Replacement of all rings at the time of every overhaul is typical. A chrome plated top compression ring may be reused for several overhaul periods.

X4.3.6.3 Ring gaps should be checked by feeler gauge with the ring inserted in the skirt end of the cylinder. The piston should be used to square the ring in the bore about 1 in. beyond the chamfer. Rings should be replaced if the gap exceeds the replacement limit.

X4.3.6.4 Ring-to-land clearances should be checked, using a feeler gauge, after the rings are assembled on the piston. Replace the piston if the clearances exceed the tolerance limits.

X4.3.6.5 Replace the piston pin if scoring or wear marks are observed on the pin.

X4.3.7 Clamping Sleeve:

X4.3.7.1 Check that the internal bore of the sleeve is within tolerance.

X4.3.7.2 Check that the counterbore for the worm wheel is within tolerance.

X4.3.7.3 Insert the worm wheel in the clamping sleeve and check that the distance between the worm wheel face and that of the bottom of the sleeve is within tolerance.

X4.3.7.4 Inspect the worm shaft ball and thrust bearings and replace as required.

X4.3.8 Cylinder Guide Plate:

X4.3.8.1 Inspect the wear surface that contacts the worm wheel. Replace the guide plate if there is wear or scoring.

X4.3.9 Condenser and Cooling System:

X4.3.9.1 Inspect the inner surfaces of the condenser and the baffle tube for rust or scale deposits, wipe out the cavity, and rinse with hot water prior to assembly.

X4.3.9.2 Inspect the cooling coil, clean surface deposits, and observe that the coils are slightly separated from each other to maximize the cooling surface exposed to coolant steam.

X4.3.9.3 Chemical cleaning of coolant system surfaces should take place whenever significant deposits are observed or at least at every third top overhaul. One approach is to introduce a commercial cooling system cleaner in the cooling system after reassembly of the engine. By running the engine for intermittent periods, the solution can be heated to 80 °C to 90 °C (180 °F to 200 °F). The solution should be kept at this temperature for approximately 30 min and drained. The system should then be flushed with clean hot water before recharging with a rust inhibited coolant water. (**Warning**—Chemical cleaning solutions are poisonous and may be harmful or fatal if inhaled or swallowed. See [Annex A1](#).)

X4.3.10 Intake Mixture Manifold:

X4.3.10.1 Disassemble the manifold heater assembly from the manifold.

X4.3.10.2 Carefully remove the deposits from all heater blade surfaces.

X4.3.10.3 Clean the internal passage of the manifold.

X4.3.10.4 Clean and inspect the intake mixture thermometer assembly.

X4.3.10.5 Reassemble the manifold heater assembly in the manifold.

X4.3.11 Reassembly Procedures:

X4.3.11.1 Install the piston, piston pin, and pin retainers on the connecting rod. Lubricate the rings with SAE 30 Grade engine crankcase oil.

X4.3.11.2 Reassemble the cylinder in the clamping sleeve so that the skirt of the cylinder extends at least ¼ in. past the bottom of the sleeve. Check that the proper number of worm shaft shims are used so that the worm shaft end play is minimal (typically ⅛ turn of the shaft).

X4.3.11.3 Connect the long rocker arm support to the clamping sleeve.

X4.3.11.4 Assemble the cylinder guide plate with its gaskets on the crankcase.

X4.3.11.5 Rigidly support the piston above the crankcase and guide plate. Install the cylinder/clamping sleeve assembly over the piston so that it is seated on the crankcase. Care should be taken not to break any of the rings as they enter the chamfered bore. (Use of a ring compressor tool over the piston rings is advisable despite the cylinder chamfer.) Manually rotate the crankshaft through several revolutions so that the cylinder is centered. Tighten and torque the cylinder stud nuts as specified in [Table A2.1](#).

X4.3.11.6 Manually rotate the crankshaft so that the piston is at tdc on the compression stroke as indicated by the flywheel pointer.

X4.3.11.7 Install the marked push rods and the valve half-balls. Reposition the long rocker arm support as required, tighten the support bolts, and check that the rocker carrier and rocker arms are level.

X4.3.11.8 Set the valve clearances to 0.075 mm (0.004 in.) for the intake valve and 0.330 mm (0.014 in.) for the exhaust valve.

X4.3.11.9 Connect the appropriate exhaust system components to the cylinder exhaust port.

X4.3.11.10 Install the water inlet pipe, water return pipe, the coolant condenser, and the cooling water lines.

X4.3.11.11 Install the C.R. gearmotor assembly and the dial indicator assembly, if used.

X4.3.11.12 Reconnect the spark advance bracket to the cylinder.

X4.3.11.13 Install the intake mixture manifold assembly, carburetor heat shield, and all intake air system components.

X4.3.12 Crankcase Breather:

X4.3.12.1 Disconnect the breather pipe and remove the breather assembly from the engine crankcase.

X4.3.12.2 Unscrew the cap from the body, remove the plastic cup, and clean the emulsion deposits from all of the pieces.

X4.3.12.3 Inspect the cup, and if the surface of the open edge is rounded rather than square, replace the cup.

X4.3.12.4 Rinse the components using a petroleum based solvent or kerosine and reassemble them on the engine. (**Warning**—Petroleum based solvent is flammable and its vapors are harmful if inhaled. Vapors may cause flash fire. See [Appendix X2](#).) (**Warning**—Kerosine is combustible and its vapors are harmful. See [Annex A1](#).)

X4.3.13 Crankcase Oil Change:

X4.3.13.1 Drain the used oil and add new SAE 30 Grade engine crankcase lubricating oil.

X4.3.13.2 It is recommended that the crankcase lubricating oil be changed at intervals of approximately 50 h of engine operation and at the time of each top overhaul.

X4.3.13.3 It is recommended that the oil filter cartridge be changed at the time of every other oil change.

X4.4 *Engine Starting Preparations*—See [Appendix X3](#).

X4.5 Crankcase/Unit Inspection:

X4.5.1 Crankcase—Inspect the crankcase periodically as follows:

X4.5.1.1 Turn off the electrical power circuits to the engine and unit.

X4.5.1.2 Drain the crankcase lubricating oil and clean the crankcase sump using a petroleum based solvent.

X4.5.1.3 Disassemble the oil suction screen assembly and clean the components.

X4.5.1.4 Disassemble the crankcase breather body from the crankcase door and clean the internal passage and baffles.

X4.5.1.5 Disassemble the connecting rod from the crankshaft. Inspect the big end bearing shells and replace if wear is indicated. Reassemble the connecting rod and torque the cap bolts as specified in **Annex A2, Table A2.1**.

X4.5.1.6 Disassemble the valve lifters from the top of the crankcase, clean, inspect, and if necessary, replace worn assembly components.

X4.5.1.7 Approximate the rear main bearing clearance by dial indicator measurement of the movement of the crankcase edge of the flywheel outer surface. Measure with the flywheel at rest and then with the flywheel lifted using an appropriate lever. If the difference in the measurements exceeds 0.006 in., crankcase rebuilding is recommended.

X4.5.1.8 Disassemble the oil pressure control valve assembly, solvent clean, inspect for worn components and replace as required. (**Warning**—In addition to other

precautions, avoid over tightening the four control valve body fastening bolts to prevent valve body distortion and restriction of the plunger movement.)

X4.5.1.9 Inspect the outer crankcase surfaces for indications of oil seal leakage which may require extensive maintenance or crankcase rebuilding.

X4.5.2 Power Absorption Motor—Inspect the power absorption motor annually as follows:

X4.5.2.1 Turn off all the electrical power circuits to the engine and unit.

X4.5.2.2 Check the condition and tension of the drive belts. Replace belts as required and adjust the motor position to achieve proper belt tension.

X4.5.2.3 Remove dust and dirt from the end bell openings using low pressure compressed air.

X4.5.3 Safety Cutoff Checks:

X4.5.3.1 High Coolant Temperature Switch—After shutting off the cooling water to the condenser coil, the engine should stop within 1 min. Check and adjust the thermal switch set point as required.

X4.5.3.2 Low Oil Pressure Switch—When starting the engine, release of the momentary start switch before the oil pressure reaches approximately 138 kPa (20 psi) should result in unit shut down.

X4.5.3.3 Electrical Interlock—Disconnecting either the single phase or three phase power at the appropriate supply switch should cause unit shut down.

SUMMARY OF CHANGES

Subcommittee D02.01 has identified the location of selected changes to this standard since the last issue (D2700 – 16) that may impact the use of this standard. (Approved Dec. 1, 2016.)

(1) Added subsection **14.10** identifying Procedure A as the referee procedure.

Subcommittee D02.01 has identified the location of selected changes to this standard since the last issue (D2700 – 14) that may impact the use of this standard. (Approved Jan. 1, 2016.)

(1) Added new term “quality control (QC) sample” to subsection **3.1**.

(2) Revised order of Sections **11** and **12**, and added Section **13**.

ASTM International takes no position respecting the validity of any patent rights asserted in connection with any item mentioned in this standard. Users of this standard are expressly advised that determination of the validity of any such patent rights, and the risk of infringement of such rights, are entirely their own responsibility.

This standard is subject to revision at any time by the responsible technical committee and must be reviewed every five years and if not revised, either reapproved or withdrawn. Your comments are invited either for revision of this standard or for additional standards and should be addressed to ASTM International Headquarters. Your comments will receive careful consideration at a meeting of the responsible technical committee, which you may attend. If you feel that your comments have not received a fair hearing you should make your views known to the ASTM Committee on Standards, at the address shown below.

This standard is copyrighted by ASTM International, 100 Barr Harbor Drive, PO Box C700, West Conshohocken, PA 19428-2959, United States. Individual reprints (single or multiple copies) of this standard may be obtained by contacting ASTM at the above address or at 610-832-9585 (phone), 610-832-9555 (fax), or service@astm.org (e-mail); or through the ASTM website (www.astm.org). Permission rights to photocopy the standard may also be secured from the Copyright Clearance Center, 222 Rosewood Drive, Danvers, MA 01923, Tel: (978) 646-2600; http://www.copyright.com/