



# Standard Specification for Poly(Vinyl Chloride) (PVC) Plastic Pipe Fittings, Schedule 40<sup>1</sup>

This standard is issued under the fixed designation D2466; the number immediately following the designation indicates the year of original adoption or, in the case of revision, the year of last revision. A number in parentheses indicates the year of last reapproval. A superscript epsilon ( $\epsilon$ ) indicates an editorial change since the last revision or reapproval.

*This standard has been approved for use by agencies of the U.S. Department of Defense.*

## 1. Scope\*

1.1 This specification covers poly(vinyl chloride) (PVC) Schedule 40 pipe fittings. Included are requirements for materials, workmanship, dimensions, and burst pressure.

NOTE 1—Socket-type CPVC plastic pipe fittings, Schedule 40, which were formerly included in this standard, are now covered by Specification F438.

1.2 The products covered by this specification are intended for use with the distribution of pressurized liquids only, which are chemically compatible with the piping materials. Due to inherent hazards associated with testing components and systems with compressed air or other compressed gases, some manufacturers do not allow pneumatic testing of their products. Consult with specific product/component manufacturers for their specific testing procedures prior to pneumatic testing.

NOTE 2—Pressurized (compressed) air or other compressed gases contain large amounts of stored energy which present serious safety hazards should a system fail for any reason.

1.3 Fitting such as unions, flanges, special plastic-to-metal transitions and appurtenances intended for use with PVC piping are covered under specification F1970.

1.4 The text of this specification references notes, footnotes, and appendixes which provide explanatory material. These notes and footnotes (excluding those in tables and figures) shall not be considered as requirements of the specification.

1.5 The values stated in inch-pound units are to be regarded as standard. The values given in parentheses are mathematical conversions to SI units that are provided for information only and are not considered standard.

1.6 The following safety hazards caveat pertains only to the test method portion, Section 7, of this specification. *This standard does not purport to address all of the safety concerns, if any, associated with its use. It is the responsibility of the user*

*of this standard to establish appropriate safety and health practices and determine the applicability of regulatory limitations prior to use.*

1.7 *This international standard was developed in accordance with internationally recognized principles on standardization established in the Decision on Principles for the Development of International Standards, Guides and Recommendations issued by the World Trade Organization Technical Barriers to Trade (TBT) Committee.*

## 2. Referenced Documents

### 2.1 ASTM Standards:<sup>2</sup>

- D618 Practice for Conditioning Plastics for Testing
- D1599 Test Method for Resistance to Short-Time Hydraulic Pressure of Plastic Pipe, Tubing, and Fittings
- D1600 Terminology for Abbreviated Terms Relating to Plastics
- D1784 Specification for Rigid Poly(Vinyl Chloride) (PVC) Compounds and Chlorinated Poly(Vinyl Chloride) (CPVC) Compounds
- D2122 Test Method for Determining Dimensions of Thermoplastic Pipe and Fittings
- D2749 Symbols for Dimensions of Plastic Pipe Fittings
- F412 Terminology Relating to Plastic Piping Systems
- F438 Specification for Socket-Type Chlorinated Poly(Vinyl Chloride) (CPVC) Plastic Pipe Fittings, Schedule 40
- F1498 Specification for Taper Pipe Threads 60° for Thermoplastic Pipe and Fittings
- F1970 Specification for Special Engineered Fittings, Appurtenances or Valves for use in Poly (Vinyl Chloride) (PVC) or Chlorinated Poly (Vinyl Chloride) (CPVC) Systems

### 2.2 NSF Standards:

- Standard No. 14 for Plastic Piping Components and Related Materials<sup>3</sup>

<sup>1</sup> This specification is under the jurisdiction of ASTM Committee F17 on Plastic Piping Systems and is the direct responsibility of Subcommittee F17.10 on Fittings.

Current edition approved Aug. 1, 2017. Published August 2017. Originally approved in 1965. Last previous edition approved in 2015 as D2466 – 15. DOI: 10.1520/D2466-17.

<sup>2</sup> For referenced ASTM standards, visit the ASTM website, [www.astm.org](http://www.astm.org), or contact ASTM Customer Service at [service@astm.org](mailto:service@astm.org). For *Annual Book of ASTM Standards* volume information, refer to the standard's Document Summary page on the ASTM website.

<sup>3</sup> Available from NSF International, P.O. Box 130140, 789 N. Dixboro Rd., Ann Arbor, MI 48113-0140, <http://www.nsf.org>.

\*A Summary of Changes section appears at the end of this standard

**Standard No. 61 for Drinking Water Systems Components—  
Health Effects<sup>3</sup>**

### 3. Terminology

3.1 *General*—Definitions are in accordance with Terminology **F412**, and abbreviations are in accordance with Terminology **D1600**, unless otherwise indicated. The abbreviation for poly(vinyl chloride) plastic is PVC.

### 4. Classification

4.1 *General*—This specification covers Schedule 40 PVC pipe fittings, made from four PVC plastic compounds and intended for use with Iron Pipe Size (IPS) outside-diameter plastic pipe.

4.1.1 Fittings covered by this specification are normally molded. In-line fittings, such as couplings, bushings, caps, nipples, etc., shall be molded or machined from extruded stock.

4.1.2 Fittings fabricated by welding are not included in this specification.

### 5. Materials

5.1 This specification covers PVC pipe fittings made from five PVC plastics as classified in Specification **D1784**. These are PVC 12454, 12454, 13354, 11443, and 14333.

5.2 *Compound*—The PVC plastic compound shall meet the requirements of PVC 12454, 12454, 11443, or 14333, as described in Specification **D1784**.

NOTE 3—Mechanical strength, heat resistance, flammability, and chemical resistance requirements are covered in Specification **D1784**.

5.3 *Rework Material*—The manufacturers shall use only their own clean rework fitting material and the fittings produced shall meet all the requirements of this specification.

### 6. Requirements

#### 6.1 *Dimensions and Tolerances:*

6.1.1 Fitting sockets inside diameters (waterways), minimum wall thicknesses, and dimensions shall be as shown in **Table 1**, **Table 2**, and **Table 3** when measured in accordance with Test Method **D2122**.

6.1.2 When multistep reducer bushings are cored out, the inner socket shall be reinforced from the outer wall by a minimum of three ribs extending from the top of the inner socket to the deepest extremity of the coring. The transition from D to DJ (**Table 3**) shall be straight, tapered as shown, or radiused. A positive taper in the same direction of the taper in the socket on the outside diameter of the bushing is optional (See XA/XB in **Table 3**). Any point measured along the outside diameter of the bushing (between points XA and XB) shall not fall below minimum pipe OD.

6.1.3 The minimum wall thickness of fittings shall be 125 % of the minimum wall thickness of the corresponding size of Schedule 40 pipe for which they are designed to be used, except that for the socket, the wall thickness shall be at least equal to the minimum wall thickness of the corresponding size of Schedule 40 pipe. For any threaded fitting the minimum wall thickness of the threaded portion shall be at least equal to the thickness of material under the thread root of threaded Schedule 80 pipe of the same size.

6.1.4 The minimum inside diameter of the fittings shall be not less than the minimum specified inside diameter of the corresponding size of Schedule 40 pipe. Any fitting having a male thread shall have an internal diameter not larger than Schedule 80 pipe of the same size.

6.1.5 Minimum dimensions have zero negative tolerance. Tolerances on other dimensions are shown in **Table 1** and **Table 3**.

6.2 *Threads*—For all fittings having taper pipe threads, threads shall conform to Specification **F1498** and be gaged in accordance with **8.4**.

#### 6.3 *Burst Pressure:*

6.3.1 The minimum burst strength of the fittings shall be not less than that calculated for the size and wall thickness of the pipe with which it is to be used, when calculated from the following equation:

$$S = P(D_o - t)/2t \quad (1)$$

where:

$S$  = hoop stress, psi (or MPa),

$P$  = internal pressure, psi (or MPa),

$D_o$  = average outside diameter, in. (or mm), and

$t$  = minimum wall thickness, in. (or mm).

Fittings tested in accordance with **8.5** shall withstand the minimum burst pressure shown in **Table 4**.

6.3.2 Pressures shown are minimum burst pressures and do not imply rated working pressures. The burst pressure shall be used only as an indication of quality.

### 7. Workmanship, Finish, and Appearance

7.1 The fittings shall be homogeneous throughout and free of cracks, holes, foreign inclusions, or other defects. The fittings shall be as uniform as commercially practicable in color, opacity, density, and other physical properties.

### 8. Test Methods

8.1 *Conditioning*—Condition the test specimens at  $73 \pm 3.6^\circ\text{F}$  ( $23 \pm 2^\circ\text{C}$ ) and  $50 \pm 10\%$  relative humidity for not less than 40 h prior to test in accordance with Procedure A of Practice **D618**, for those tests where conditioning is required.

8.2 *Test Conditions*—Conduct tests in the Standard Laboratory Atmosphere of  $73 \pm 3.6^\circ\text{F}$  ( $23 \pm 2^\circ\text{C}$ ) and  $50 \pm 10\%$  relative humidity, unless otherwise specified in the test methods or in this specification.

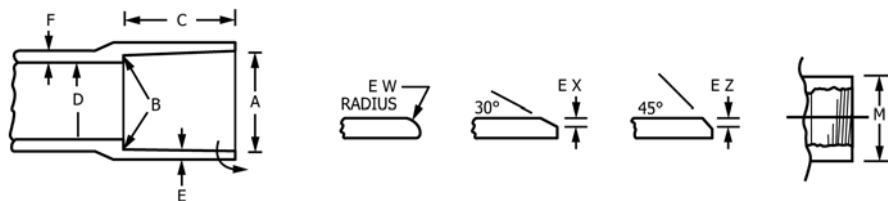
8.3 *Sampling*—A sufficient quantity of fittings as agreed upon between the seller and the purchaser shall be selected at random from each lot or shipment and tested to determine that the basic design is in conformance with this specification.

NOTE 4—For individual orders or specifications, only those tests and numbers of tests specifically agreed upon between the purchaser and the seller need be conducted.

8.4 *Threads*—All taper pipe threads shall be gaged in accordance with Specification **F1498**.

8.5 *Burst Pressure*—Determine the minimum burst pressure in accordance with Test Method **D1599**, Procedure B. The

TABLE 1 Tapered Sockets for PVC Pipe Fittings, Schedule 40, in.<sup>A</sup>



Nominal Pipe Size	A Socket Entrance Diameter			B Socket Bottom Diameter			C <sup>B</sup> Socket Length, min	D <sup>C</sup> Inside Diameter, min	Wall Thickness, min		Min Outside Diameter of Hub, M	Entrance, min	
	Diameter	Tolerance on Diameter	Max Out-of-Round	Diameter	Tolerance on Diameter	Max Out-of-Round			E	F		EW	EX, EZ
1/8	0.417	±0.004	0.016 (0.41)	0.401	±0.004	0.016 (0.41)	0.500	0.225	0.068	0.085	0.526	1/64	1/64
1/4	0.552	±0.004	0.016 (0.41)	0.536	±0.004	0.016 (0.41)	0.500	0.320	0.088	0.110	0.672	1/64	1/64
3/8	0.687	±0.004	0.016 (0.41)	0.671	±0.004	0.016 (0.41)	0.594	0.449	0.091	0.114	0.821	1/32	1/32
1/2	0.848	±0.004	0.016 (0.41)	0.836	±0.004	0.016 (0.41)	0.688	0.578	0.109	0.136	0.998	1/32	1/32
3/4	1.058	±0.004	0.020 (0.51)	1.046	±0.004	0.020 (0.51)	0.719	0.740	0.113	0.141	1.221	1/32	1/32
1	1.325	±0.005	0.020 (0.51)	1.310	±0.005	0.020 (0.51)	0.875	0.990	0.133	0.166	1.504	1/16	1/16
1 1/4	1.670	±0.005	0.024 (0.61)	1.655	±0.005	0.024 (0.61)	0.938	1.335	0.140	0.175	1.871	1/16	1/16
1 1/2	1.912	±0.006	0.024 (0.61)	1.894	±0.006	0.024 (0.61)	1.094	1.564	0.145	0.181	2.127	1/16	1/16
2	2.387	±0.006	0.024 (0.61)	2.369	±0.006	0.024 (0.61)	1.156	2.021	0.154	0.193	2.634	1/16	1/16
2 1/2	2.889	±0.007	0.030 (0.76)	2.868	±0.007	0.030 (0.76)	1.750	2.414	0.203	0.254	3.170	3/32	1/8
3	3.516	±0.008	0.030 (0.76)	3.492	±0.008	0.030 (0.76)	1.875	3.008	0.216	0.270	3.841	3/32	1/8
3 1/2	4.016	±0.008	0.030 (0.76)	3.992	±0.008	0.030 (0.76)	2.000	3.486	0.226	0.283	4.374	3/32	1/8
4	4.518	±0.009	0.030 (0.76)	4.491	±0.009	0.030 (0.76)	2.000	3.961	0.237	0.296	4.907	3/32	1/8
5	5.583	±0.010	0.060 (1.52)	5.553	±0.010	0.060 (1.52)	3.000	4.975	0.258	0.323	6.039	3/32	1/8
6	6.647	±0.011	0.060 (1.52)	6.614	±0.011	0.060 (1.52)	3.000	5.986	0.280	0.350	7.203	1/8	3/16
8	8.655	±0.015	0.090 (2.29)	8.610	±0.015	0.090 (2.29)	4.000	7.888	0.322	0.403	9.320	1/8	3/16
10	10.780	±0.015	0.100 (3.05)	10.735	±0.015	0.100 (3.05)	5.000	9.917	0.365	0.456	11.614	1/8	3/16
12	12.780	±0.015	0.120 (3.81)	12.735	±0.015	0.120 (3.81)	6.000	11.825	0.406	0.508	13.786	1/8	3/16

<sup>A</sup> The sketches and designs of fittings are illustrative only.

<sup>B</sup> Socket depth, measured from socket entrance face to socket bottom face.

<sup>C</sup> See 6.1.4.

pressure shall be applied at a uniform rate such that the minimum allowable burst pressure is attained in 60 to 70 s.

NOTE 5—Provided the minimum burst pressure is met or exceeded between 60 and 70 s, the time-to-failure may exceed 70 s.

**9. Retest and Rejection**

9.1 If the results of any test(s) do not meet the requirements of this specification, the tests(s) shall be conducted again only by agreement between the purchaser and seller. Under such agreement, minimum requirements shall not be lowered, changed, or modified, nor shall specification limits be changed.

If upon retest, failure occurs, the quantity of product represented by the test(s) does not meet the requirements of this specification.

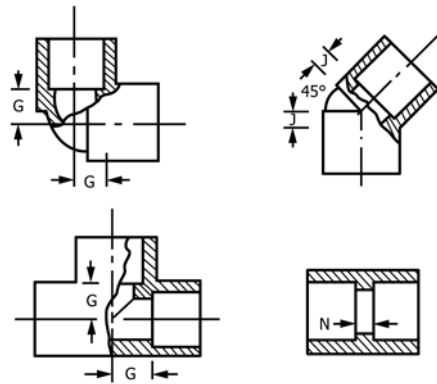
**10. Marking**

10.1 Fittings shall be marked with the following:

10.1.1 Manufacturer's name or trademark,

10.1.2 Material designation PVC I for PVC 12454-B, PVC 12 for PVC 12454-C, PVC 13 for PVC 13354-C and 11443-B, and PVC II for PVC 14333-D,

**TABLE 2 Minimum Dimension from Center to End of Sockets (Laying Length) for Couplings, Tees, 90° and 45° Elbows, PVC Socket-Type Pipe Fittings, Schedule 40, in.<sup>4</sup>**



Nominal Pipe Size	G, min	J, min	N, min
1/8	1/4	1/8	1/16
1/4	5/16	5/32	1/16
3/8	3/8	3/16	3/32
1/2	1/2	1/4	3/32
3/4	9/16	5/16	3/32
1	11/16	5/16	3/32
1 1/4	7/8	3/8	3/32
1 1/2	1	7/16	3/32
2	1 1/4	5/8	3/32
2 1/2	1 1/2	11/16	3/16
3	1 13/16	3/4	3/16
3 1/2	2 1/8	1	3/16
4	2 5/16	1	3/16
5	3	1 3/8	3/16
6	3 1/2	1 3/4	1/4
8	4 1/2	2	1/4
10	5 13/16	2 9/16	1/4
12	6 15/16	3 1/16	1/4

<sup>4</sup> The sketches and designs of fittings are illustrative only.

10.1.3 Fittings intended for the transport of potable water shall include the seal or mark of the laboratory making the evaluation for this purpose.

10.1.4 Size, and

10.1.5 This designation number: D2466.

10.2 Where the size of the fitting does not allow complete marking, omit identification marking in the following sequence: size, material designation, manufacturer's name or trademark.

10.3 Markings or symbols shall be molded, hot-stamped, or applied to fittings by any other suitable method, such as printing.

10.4 Where recessed marking is used, care shall be taken to see that in no case marking causes cracks or reduces the wall thickness below the minimum specified.

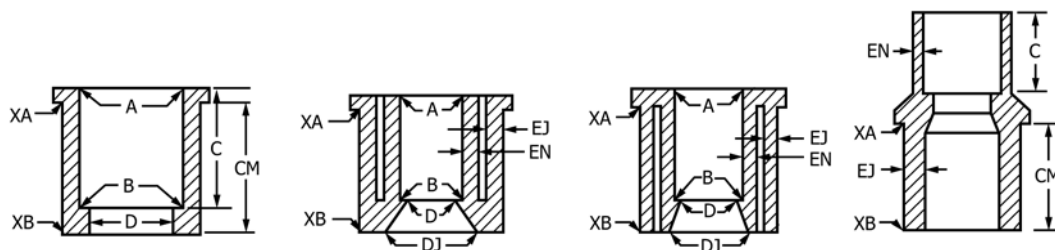
### 11. Quality Assurance

11.1 When the product is marked with this designation, D2466, the manufacturer affirms that the product was manufactured, inspected, sampled, and tested in accordance with this specification and has been found to meet the requirements of this specification.

### 12. Keywords

12.1 fittings; pressure; PVC; Sch 40; sockets; threads

TABLE 3 Dimensions of Reducer Bushings, PVC Socket-Type Pipe Fittings, Schedule 40,<sup>A</sup> in. (mm)



Nominal Size	Outside Diameter XA	Tolerance on Outside Diameter	Outside Diameter XB	Tolerance on Outside Diameter	Maximum Out-of-Roundness (max, minus min.)
1/4 by 1/8	0.540 (13.72)	+0.007 – 0.004 (0.18 – 0.10)	0.540 (13.72)	±0.004 (0.10)	0.016 (0.41)
3/8 by 1/4, 1/8	0.675 (17.41)	+0.007 – 0.004 (0.18 – 0.10)	0.675 (17.41)	±0.004 (0.10)	0.016 (0.41)
1/2 by 3/8, 1/4	0.840 (21.34)	+0.007 – 0.004 (0.18 – 0.10)	0.840 (21.34)	±0.004 (0.10)	0.016 (0.41)
3/4 by 1/2, 3/8, 1/4	1.050 (26.67)	+0.007 – 0.004 (0.18 – 0.10)	1.050 (26.67)	±0.004 (0.10)	0.020 (0.51)
1 by 1/2, 3/4	1.315 (33.40)	+0.008 – 0.005 (0.20 – 0.13)	1.315 (33.40)	±0.005 (0.13)	0.020 (0.51)
1 1/4 by 1/2, 3/4, 1	1.660 (42.16)	+0.008 – 0.005 (0.20 – 0.13)	1.660 (42.16)	±0.005 (0.13)	0.024 (0.61)
1 1/2 by 1/2, 3/4, 1, 1 1/4	1.900 (48.26)	+0.010 – 0.006 (0.25 – 0.15)	1.900 (48.26)	±0.006 (0.15)	0.024 (0.61)
2 by 1/2, 3/4, 1, 1 1/4, 1 1/2	2.375 (60.33)	+0.010 – 0.006 (0.25 – 0.15)	2.375 (60.33)	±0.006 (0.15)	0.024 (0.61)
2 1/2 by 2	2.875 (73.03)	+0.012 – 0.007 (0.30 – 0.18)	2.875 (73.03)	±0.007 (0.18)	0.030 (0.76)
3 by 2 1/2, 2	3.500 (88.90)	+0.013 – 0.008 (0.33 – 0.20)	3.500 (88.90)	±0.008 (0.20)	0.030 (0.76)
3 1/2 by 2 1/2, 2	4.000 (101.60)	+0.013 – 0.008 (0.33 – 0.20)	4.000 (101.60)	±0.008 (0.20)	0.030 (0.76)
4 by 3 1/2, 3, 2 1/2, 2	4.500 (114.30)	+0.015 – 0.009 (0.38 – 0.23)	4.500 (114.30)	±0.009 (0.23)	0.030 (0.76)
5 by 4	5.563 (141.30)	+0.017 – 0.010 (0.43 – 0.25)	5.563 (141.30)	±0.010 (0.25)	0.060 (1.52)
6 by 5	6.625 (168.28)	+0.018 – 0.011 (0.46 – 0.28)	6.625 (168.28)	±0.011 (0.28)	0.070 (1.78)
8 by 6	8.625 (219.08)	+0.025 – 0.015 (0.64 – 0.38)	8.625 (219.08)	±0.015 (0.38)	0.090 (2.29)
10 by 6	10.750 (273.05)	+0.025 – 0.015 (0.64 – 0.38)	10.750 (273.05)	±0.015 (0.38)	0.100 (2.54)
10 by 8	10.750 (273.05)	+0.025 – 0.015 (0.64 – 0.38)	10.750 (273.05)	±0.015 (0.38)	0.100 (2.54)
12 by 6	12.750 (323.85)	+0.025 – 0.015 (0.64 – 0.38)	12.750 (323.85)	±0.015 (0.38)	0.120 (3.05)
12 by 8	12.750 (323.85)	+0.025 – 0.015 (0.64 – 0.38)	12.750 (323.85)	±0.015 (0.38)	0.120 (3.05)
12 by 10	12.750 (323.85)	+0.025 – 0.015 (0.64 – 0.38)	12.750 (323.85)	±0.015 (0.38)	0.120 (3.05)

<sup>A</sup> The sketches and designs of fittings are illustrative only, see Symbols D2749.

TABLE 4 Burst Pressure Requirements for Water at 73°F (23°C)  
for PVC Socket-Type Pipe Fittings, Schedule 40

Nominal Size, in.	Min Burst Strength, <sup>A</sup>			
	Classes 12454, 13354-C, and 11443		Class 14333	
	psi	(MPa)	psi	(MPa)
1/8	2580	(17.79)	2020	(13.93)
1/4	2490	(17.17)	1950	(13.44)
3/8	1990	(13.72)	1560	(10.76)
1/2	1910	(13.17)	1490	(10.27)
3/4	1540	(10.62)	1210	(8.34)
1	1440	(9.93)	1130	(7.79)
1 1/4	1180	(8.14)	920	(6.34)
1 1/2	1060	(7.31)	830	(5.72)
2	890	(6.14)	690	(4.76)
2 1/2	970	(6.69)	760	(5.24)
3	840	(5.79)	660	(4.55)
3 1/2	770	(5.31)	600	(4.14)
4	710	(4.90)	560	(3.86)
5	620	(4.27)	490	(3.38)
6	560	(3.86)	440	(3.03)
8	500	(3.45)	390	(2.69)
10	450	3.10	...	...
12	420	2.90	...	...

<sup>A</sup> This table was calculated for Schedule 40 pipe using the formula and the stress levels for materials as follows:

	psi	MPa
Classes 11443, 13354-C, and 12454	6400	44.1
Class 1433	5000	34.5

## SUPPLEMENTARY REQUIREMENTS

### POTABLE WATER REQUIREMENT

This requirement applies whenever a Regulatory Authority or user calls for product to be used to convey or to be in contact with potable water.

S1. Products intended for contact with potable water shall be evaluated, tested and certified for conformance with ANSI/NSF Standard No. 61 or the health effects portion of NSF Standard No. 14 by an acceptable certifying organization when required by the regulatory authority having jurisdiction.

### SUMMARY OF CHANGES

Committee F17 has identified the location of selected changes to this standard since the last issue (D2466–15) that may impact the use of this standard.

(1) Revised 8.5 to clarify use of Test Method D1599, Procedure B, and that test duration is to be a range. (2) Deleted 8.5.1.

*ASTM International takes no position respecting the validity of any patent rights asserted in connection with any item mentioned in this standard. Users of this standard are expressly advised that determination of the validity of any such patent rights, and the risk of infringement of such rights, are entirely their own responsibility.*

*This standard is subject to revision at any time by the responsible technical committee and must be reviewed every five years and if not revised, either reapproved or withdrawn. Your comments are invited either for revision of this standard or for additional standards and should be addressed to ASTM International Headquarters. Your comments will receive careful consideration at a meeting of the responsible technical committee, which you may attend. If you feel that your comments have not received a fair hearing you should make your views known to the ASTM Committee on Standards, at the address shown below.*

*This standard is copyrighted by ASTM International, 100 Barr Harbor Drive, PO Box C700, West Conshohocken, PA 19428-2959, United States. Individual reprints (single or multiple copies) of this standard may be obtained by contacting ASTM at the above address or at 610-832-9585 (phone), 610-832-9555 (fax), or service@astm.org (e-mail); or through the ASTM website (www.astm.org). Permission rights to photocopy the standard may also be secured from the Copyright Clearance Center, 222 Rosewood Drive, Danvers, MA 01923, Tel: (978) 646-2600; <http://www.copyright.com/>*