



# Standard Practice for Preparing Concrete Blocks for Testing Sealants, for Joints and Cracks<sup>1</sup>

This standard is issued under the fixed designation D1985; the number immediately following the designation indicates the year of original adoption or, in the case of revision, the year of last revision. A number in parentheses indicates the year of last reappraisal. A superscript epsilon ( $\epsilon$ ) indicates an editorial change since the last revision or reappraisal.

## 1. Scope

1.1 This practice covers the preparation of concrete blocks used for testing of joint and crack sealants for portland cement concrete and asphaltic concrete pavements. There are numerous standard material specifications that use concrete blocks prepared according to this practice. Refer to the specific standard material specification of interest to determine which tests apply and refer to the test methods for each specific test.

1.2 The values stated in SI units are to be regarded as the standard. The values given in parentheses are provided for information purposes only.

1.3 *This standard does not purport to address all of the safety concerns, if any, associated with its use. It is the responsibility of the user of this standard to establish appropriate safety and health practices and determine the applicability of regulatory limitations prior to use.*

## 2. Referenced Documents

2.1 *ASTM Standards:*<sup>2</sup>

[C33 Specification for Concrete Aggregates](#)

[C150 Specification for Portland Cement](#)

[C192/C192M Practice for Making and Curing Concrete Test Specimens in the Laboratory](#)

[E171 Practice for Conditioning and Testing Flexible Barrier Packaging](#)

## 3. Significance and Use

3.1 It is intended that this practice may be used by manufacturers, users, and testing agencies. The use of this practice establishes a uniform procedure for preparing concrete blocks for the testing of sealants. It is not intended to establish

test procedures or conditions of test which are associated with each of the joint sealants.

## 4. Standard Conditions

4.1 The laboratory atmospheric conditions, hereinafter referred to as standard conditions, shall be in accordance with Specification [E171](#), ( $23 \pm 2^\circ\text{C}$  ( $73.4 \pm 3.6^\circ\text{F}$ ) and  $50\% \pm 5\%$  relative humidity).

## 5. Concrete Block Preparation<sup>3</sup>

5.1 *Materials*—The aggregate shall conform to Specification [C33](#), except as specified herein. The aggregate grading shall be as shown in [Table 1](#). The coarse aggregate shall consist of crushed limestone (plus 95%  $\text{CaCO}_3$ ) having a water absorption of not more than 1.5%. The fine aggregate shall consist of crushed limestone and shall be manufactured from the same parent rock as the coarse aggregate.<sup>4</sup> The portland cement shall conform to ASTM Specification [C150](#), Type II. The concrete shall have a water-cement ratio of 0.49, a cement factor of  $335 \pm 30 \text{ kg/m}^3$  ( $6.0 \pm 0.5$  bags of cement per cubic yard), and a slump of  $63 \pm 13 \text{ mm}$  ( $2\frac{1}{2} \pm \frac{1}{2} \text{ in.}$ ). The ratio of fine aggregate to total aggregate shall be approximately 40% by solid volume. The air content shall be  $5.0 \pm 0.5\%$  and shall be obtained by the addition to the batch of an air-entraining agent. Prepare the concrete in accordance with the procedure described in Test Method [C192/C192M](#).

5.1.1 *Alternate Block Materials*—As an alternate to the materials specified in [5.1](#), the blocks may be prepared using a concrete mixture which meets local requirements for concrete pavements. Use the materials specified in [5.1](#) for all referee testing.

5.2 *Block Preparation*—Use a minimum 100 mm by 300 mm by 75 mm (4 in. wide by 12 in. long by 3 in. deep) mold,

<sup>1</sup> This practice is under the jurisdiction of ASTM Committee [D04](#) on Road and Paving Materials and is the direct responsibility of Subcommittee [D04.33](#) on Formed In-Place Sealants for Joints and Cracks in Pavements.

Current edition approved July 1, 2013. Published August 2013. Originally approved in 1991. Last previous edition approved in 2008 as D1985 – 03 (2008). DOI: 10.1520/D1985-13.

<sup>2</sup> For referenced ASTM standards, visit the ASTM website, [www.astm.org](http://www.astm.org), or contact ASTM Customer Service at [service@astm.org](mailto:service@astm.org). For *Annual Book of ASTM Standards* volume information, refer to the standard's Document Summary page on the ASTM website.

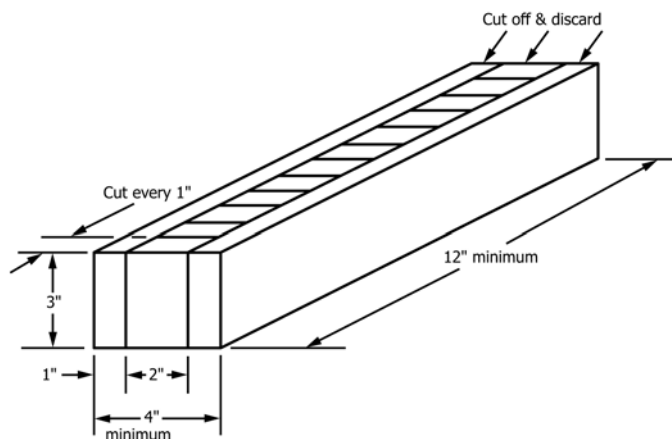
<sup>3</sup> The sole source of supply of blocks made to this specification are available from USAE Laboratory, Missouri River Division, 429 S18th Street, Omaha, NE 68101. If you are aware of alternative suppliers, please provide this information to ASTM International Headquarters. Your comments will receive careful consideration at a meeting of the responsible technical committee,<sup>1</sup> which you may attend.

<sup>4</sup> The sole source of supply of aggregate meeting this specification is available from Pete Lien & Sons Inc., P.O. Box 440, Rapid City, SD. If you are aware of alternative suppliers, please provide this information to ASTM International Headquarters. Your comments will receive careful consideration at a meeting of the responsible technical committee,<sup>1</sup> which you may attend.

**TABLE 1 Aggregate Grading**

Type	Sieve Size	% Passing
Coarse aggregate	19.0 mm (¾ in.)	97 to 100
	12.5 mm (½ in.)	63 to 69
	9.5 mm (⅜ in.)	30 to 36
	4.75 mm (No. 4)	0 to 3
Fine aggregate	4.75 mm (No. 4)	100
	2.36 mm (No. 8)	82 to 88
	1.18 mm (No. 16)	60 to 70
	600 μm (No. 30)	40 to 50
	300 μm (No. 50)	16 to 26
	150 μm (No. 100)	5 to 9

made from metal or plastic and provided with a metal or plastic base plate. Provide means for securing the base plate to the mold. Make the assembled mold and base plate water-tight and oil with mineral oil before use. Fill the mold with concrete, prepared in accordance with 5.1 or 5.1.1, to overflowing and vibrate externally for 30 s. Screed (level) the concrete to a smooth surface with a wooden float and level off with a metal straightedge drawn across the top with a sawing motion. Cure as specified in Test Method C192/C192M. After curing for not less than 14 days, cut the slab of concrete into individual blocks using a 40 by 60-grit diamond saw blade rotating at a peripheral speed of 3050 ± 150 m/min (10 000 ± 500 ft/min.) (see Fig. 1). Each test block should be 25 by 50 by 75-mm (1



**FIG. 1 Concrete Block Slab (after removal from mold)**

by 2 by 3-in.), leaving 25 mm (1 in.) strips for discarding from the slab that were in contact with the vertical sides of the mold. While the blocks are still wet from the sawing operation, scrub the surfaces of the blocks lightly with a non-metallic stiff-bristle brush while holding under a stream of running water. Stocks of prepared blocks may be stored under standard conditions indefinitely, but store such blocks in a 100 % humidity environment for not less than 7 days prior to use.

*ASTM International takes no position respecting the validity of any patent rights asserted in connection with any item mentioned in this standard. Users of this standard are expressly advised that determination of the validity of any such patent rights, and the risk of infringement of such rights, are entirely their own responsibility.*

*This standard is subject to revision at any time by the responsible technical committee and must be reviewed every five years and if not revised, either reapproved or withdrawn. Your comments are invited either for revision of this standard or for additional standards and should be addressed to ASTM International Headquarters. Your comments will receive careful consideration at a meeting of the responsible technical committee, which you may attend. If you feel that your comments have not received a fair hearing you should make your views known to the ASTM Committee on Standards, at the address shown below.*

*This standard is copyrighted by ASTM International, 100 Barr Harbor Drive, PO Box C700, West Conshohocken, PA 19428-2959, United States. Individual reprints (single or multiple copies) of this standard may be obtained by contacting ASTM at the above address or at 610-832-9585 (phone), 610-832-9555 (fax), or service@astm.org (e-mail); or through the ASTM website (www.astm.org). Permission rights to photocopy the standard may also be secured from the Copyright Clearance Center, 222 Rosewood Drive, Danvers, MA 01923, Tel: (978) 646-2600; http://www.copyright.com/*