



# Standard Test Method for Static and Kinetic Coefficients of Friction of Plastic Film and Sheeting<sup>1</sup>

This standard is issued under the fixed designation D1894; the number immediately following the designation indicates the year of original adoption or, in the case of revision, the year of last revision. A number in parentheses indicates the year of last reapproval. A superscript epsilon ( $\epsilon$ ) indicates an editorial change since the last revision or reapproval.

*This standard has been approved for use by agencies of the U.S. Department of Defense.*

## 1. Scope\*

1.1 This test method covers determination of the coefficients of starting and sliding friction of plastic film and sheeting when sliding over itself or other substances at specified test conditions. The procedure permits the use of a stationary sled with a moving plane, or a moving sled with a stationary plane. Both procedures yield the same coefficients of friction values for a given sample.

NOTE 1—For the frictional characteristics of plastic films partially wrapped around a cylinder, or capstan, see Test Method G143 under the jurisdiction of ASTM Subcommittee G02.50.

1.2 Test data obtained by this test method is relevant and appropriate for use in engineering design.

1.2.1 As an option to this test, coefficient of friction may be run at temperatures other than 23°C by heating only the plane while the sled is at ambient temperature.

1.3 The values stated in SI units are to be regarded as standard. The values given in parentheses are for information only.

1.4 *This standard does not purport to address all of the safety concerns, if any, associated with its use. It is the responsibility of the user of this standard to establish appropriate safety and health practices and determine the applicability of regulatory limitations prior to use.* For a specific precautionary statement, see the end of 6.5.

NOTE 2—This test method is not equivalent to ISO 8295–1995, and results cannot be directly compared between the two methods.

## 2. Referenced Documents

### 2.1 ASTM Standards:<sup>2</sup>

D618 Practice for Conditioning Plastics for Testing

<sup>1</sup> This test method is under the jurisdiction of ASTM Committee D20 on Plastics and is the direct responsibility of Subcommittee D20.19 on Film, Sheeting, and Molded Products.

Current edition approved March 1, 2014. Published March 2014. Originally approved in 1961. Last previous edition approved in 2011 as D1894 - 11<sup>ε</sup>1. DOI: 10.1520/D1894-14.

<sup>2</sup> For referenced ASTM standards, visit the ASTM website, www.astm.org, or contact ASTM Customer Service at service@astm.org. For *Annual Book of ASTM Standards* volume information, refer to the standard's Document Summary page on the ASTM website.

D883 Terminology Relating to Plastics

D1894 Test Method for Static and Kinetic Coefficients of Friction of Plastic Film and Sheeting

D3574 Test Methods for Flexible Cellular Materials—Slab, Bonded, and Molded Urethane Foams

D4000 Classification System for Specifying Plastic Materials

E177 Practice for Use of the Terms Precision and Bias in ASTM Test Methods

E691 Practice for Conducting an Interlaboratory Study to Determine the Precision of a Test Method

G143 Test Method for Measurement of Web/Roller Friction Characteristics

2.2 ISO Standard:

ISO 8295–1995<sup>3</sup>

## 3. Terminology

### 3.1 Definitions:

3.1.1 *friction, n*—resistance to relative motion between two bodies in contact.

3.1.1.1 *coefficient of friction*—the ratio of the force required to move one surface over another to the total force applied normal to those surfaces.

3.1.1.2 *kinetic coefficient of friction*—the ratio of the force required to move one surface over another to the total force applied normal to those surfaces, once that motion is in progress.

3.1.1.3 *static coefficient of friction*—the ratio of the force required to move one surface over another to the total force applied normal to those surfaces, at the instant motion starts.

### 3.2 Definitions of Terms Specific to This Standard:

3.2.1 *slip—in plastic films*, lubricity of two surfaces sliding in contact with each other.

## 4. Significance and Use

4.1 Measurements of frictional properties may be made on a film or sheeting specimen when sliding over itself or over

<sup>3</sup> Available from American National Standards Institute (ANSI), 25 W. 43rd St., 4th Floor, New York, NY 10036, <http://www.ansi.org>.

\*A Summary of Changes section appears at the end of this standard

another substance. The coefficients of friction are related to the slip properties of plastic films that are of wide interest in packaging applications. These methods yield empirical data for control purposes in film production. Correlation of test results with actual performance can usually be established.

4.1.1 This test method includes testing at temperatures other than 23°C by heating only the plane while the sled is at ambient temperature.

4.2 Slip properties are generated by additives in some plastic films, for example, polyethylene. These additives have varying degrees of compatibility with the film matrix. Some of them bloom, or exude to the surface, lubricating it and making it more slippery. Because this blooming action may not always be uniform on all areas of the film surface, values from these tests may be limited in reproducibility.

4.3 The frictional properties of plastic film and sheeting may be dependent on the uniformity of the rate of motion between the two surfaces. Care should be exercised to ensure that the rate of motion of the equipment is as carefully controlled as possible.

4.4 Data obtained by these procedures may be extremely sensitive to the age of the film or sheet and the condition of the surfaces. The blooming action of many slip additives is time-dependent. For this reason, it is sometimes meaningless to compare slip and friction properties of films or sheets produced at different times, unless it is desired to study this effect.

4.5 Frictional and slip properties of plastic film and sheeting are based on measurements of surface phenomena. Where products have been made by different processes, or even on different machines by the same process, their surfaces may be dependent on the equipment or its running conditions. Such factors must be weighed in evaluating data from these methods.

4.6 The measurement of the static coefficient of friction is highly dependent on the rate of loading and on the amount of blocking occurring between the loaded sled and the platform due to variation in time before motion is initiated.

4.7 Care should be exercised to make certain that the speed of response of the recorder, either electronic or mechanical, is not exceeded.

4.8 For many materials, there may be a specification that requires the use of this test method, but with some procedural modifications that take precedence when adhering to the specification. Therefore, it is advisable to refer to that material specification before using this test method. Table 1 of Classification System **D4000** lists the ASTM materials standards that currently exist.

## 5. Apparatus

5.1 *Sled*—A metal block 63.5-mm (2½-in.) square by approximately 6-mm (0.25-in.) thick with a suitable eye screw fastened in one end. When a flexible film (see 6.2) is to be attached, the block shall be wrapped with a sponge rubber 63.5 mm (2½ in.) in width and 3.2 mm (⅛ in.) in thickness. The foam shall be flexible, smooth-faced, and have a nominal density of 0.25 g/cm<sup>3</sup> when measured in accordance with the

Density Test of Methods **D3574**. The pressure required to compress the foam 25 % shall be 85 ± 15 kPa (12.5 ± 2.5 psi). The foam shall also have a high hysteresis when deformed.<sup>4</sup> The rubber shall be wrapped snugly around the sled and held in place against the bottom and top of the sled with double-faced masking tape. When a sheet (see 6.3) is to be attached, double-faced tape shall be used to attach the specimen. The total weight of the (wrapped) sled and specimen shall be 200 ± 5 g.

NOTE 3—Round-robin testing<sup>5</sup> has shown that the physical properties of the backing can drastically affect both the coefficient of friction and stick-slip behavior of the film.

5.2 *Plane*—A polished plastic, wood, or metal sheet,<sup>6</sup> approximately 150 by 300 by 1 mm (6 by 12 by 0.040 in.). A smooth, flat piece of glass may cover the upper surface of the plane. This provides a smooth support for the specimen.

5.2.1 When it is desirable to run tests at temperatures above 23°C, a heating unit shall be provided that is capable of maintaining the temperature of the plane within ±2°C of the desired temperature. The temperature should be maintained within ±2°C of the desired temperature over the entire traverse of the sled (that is, over the full surface of the plane).

NOTE 4—If the equipment has a plane with a heater, a cover may be used to help maintain the temperature of the plane within ±2°C of the desired temperature.

5.3 *Scissors or Cutter*, suitable for cutting specimens to the desired dimensions.

5.4 *Adhesive Tape*, cellophane or pressure-sensitive.

5.5 *Adhesive Tape*, double-faced.

5.6 *Nylon Monofilament*, having a 0.33 ± 0.05-mm (0.013 ± 0.002-in.) diameter and capable of supporting a 3.6-kg (8-lb) load.

5.7 *Beaded Chain*, flexible metal cable, or equivalent, having a spring rate no less than 600 lbs per inch of stretch per inch of length (40 lbs/in. (7000 N/m) for a 15-in. chain) in the range of 50 to 150 g of tension (such as beaded lampswitch pull chain).

5.8 *Low-Friction Pulleys*—A phenolic type pulley mounted in hardened steel cone bearings on a metal fork. A ball-bearing type pulley may also be used.

5.9 *Force-Measuring Device*, capable of measuring the frictional force to ±5 % of its value. A spring gauge<sup>7</sup> (see **Note 5**), universal testing machine, or strain gauge may be used.

NOTE 5—The capacity of the spring gauge (**Fig. 1(a and b)**) needed will depend upon the range of values to be measured. For most plastic, a 500-g

<sup>4</sup> Sleds pre-wrapped with sponge rubber are commercially available from a number of suppliers.

<sup>5</sup> Supporting data are available from ASTM Headquarters. Request RR:D20-1065.

<sup>6</sup> Acrylic or rigid poly(vinyl chloride) sheeting has been found satisfactory for this purpose.

<sup>7</sup> The sole source of supply of the Model L-500 known to the committee at this time is Hunter Spring Co., Lansdale, PA. If you are aware of alternative suppliers, please provide this information to ASTM International Headquarters. Your comments will receive careful consideration at a meeting of the responsible technical committee,<sup>1</sup> which you may attend.

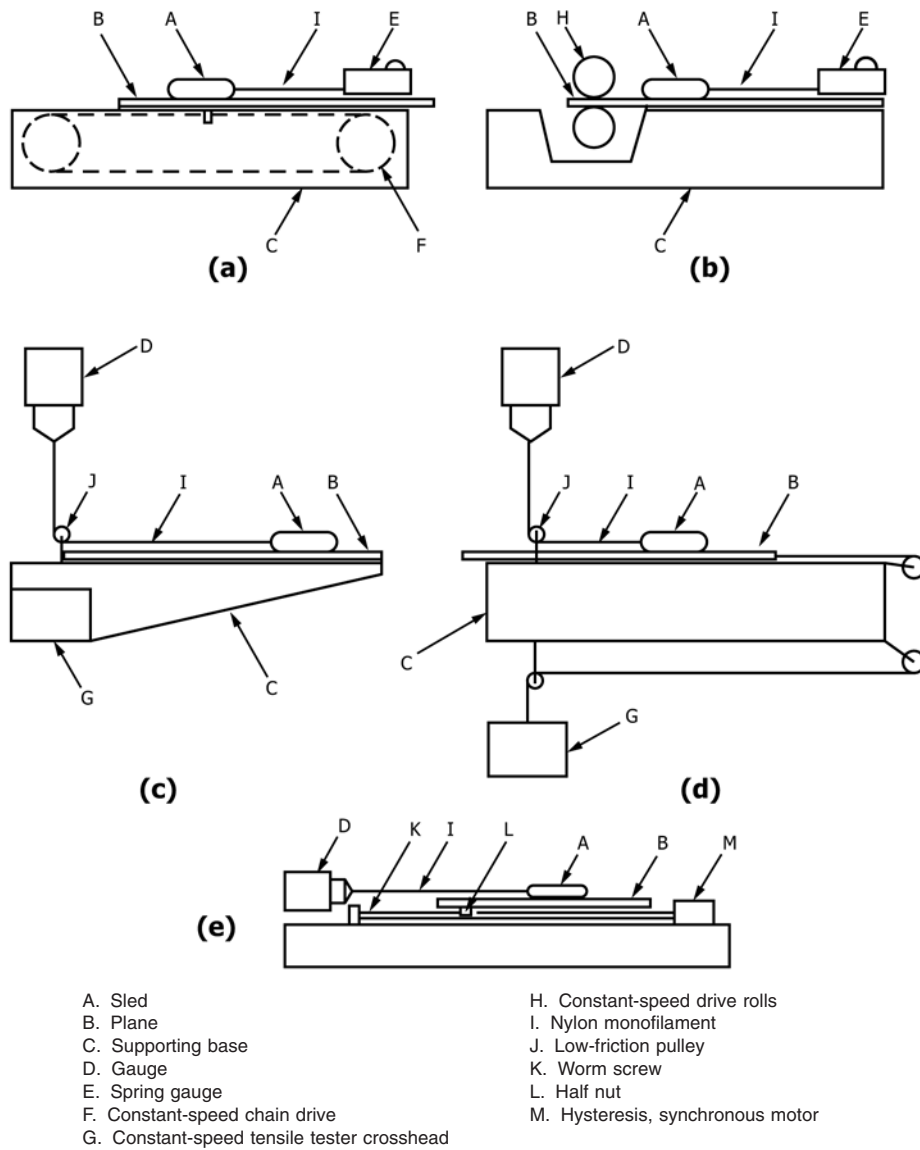


FIG. 1 Five Methods of Assembly of Apparatus for Determination of Coefficients of Friction of Plastic Film

capacity gauge with 10-g or smaller subdivisions will be satisfactory. This spring will measure coefficients of friction up to and including 2.5.

5.10 *Supporting Base*—A smooth wood or metal base approximately 200 by 380 mm (8 by 15 in.) is necessary to support the plane. The supporting base may be a simple rectangular box. If a universal testing machine is used to pull a moving plane, a supporting base of sufficient structural strength and rigidity to maintain a firm position between the moving crosshead and the force-measuring device will be necessary.

5.11 *Driving or Pulling Device for Sled or Plane*—The plane may be pulled by a driven pair of rubber-coated rolls not less than 200 mm (8 in.) long, capable of maintaining a uniform surface speed  $150 \pm 30$  mm/min ( $0.5 \pm 0.1$  ft/min) (Fig. 1(b)), by the crosshead of a universal testing machine (Fig. 1(d)) (see Note 6), or a worm drive driven with a synchronous motor (Fig. 1(e)). A constant-speed chain drive system has also been found satisfactory (Fig. 1(a)). A power-

operated source may be used for pulling the sled over the horizontally-mounted specimen at a uniform speed of  $150 \pm 30$  mm/min ( $0.5 \pm 0.1$  ft/min). A universal testing machine equipped with a load cell in its upper crosshead and a constant rate-of-motion lower crosshead has been found satisfactory (see Fig. 1(c)).

NOTE 6—Where the moving crosshead of a universal testing machine is used to pull the moving plane through a pulley system (Fig. 1(d)), the strain gauge load cell, or other load-sensing instrument in the testing machine, acts as the force-measuring device.

## 6. Test Specimens

6.1 The test specimen that is to be attached to the plane shall be cut approximately 250 mm (10 in.) in the machine direction and 130 mm (5 in.) in the transverse direction when such extrusion directions exist and are identifiable.

6.2 A film specimen that is to be attached to the sled shall be cut approximately 120-mm (4½-in.) square. Film is defined as

sheeting having a nominal thickness of not greater than 0.254 mm as indicated in Terminology **D883**.

6.3 A sheeting specimen (greater than 0.254 mm nominal thickness) or another substance that is to be attached to the sled shall be cut 63.5 mm (2½ in.) square.

6.4 Sheetting specimens shall be flat and free of warpage. Edges of specimens shall be rounded smooth.

6.5 Five specimens shall be tested for each sample unless otherwise specified. (**Warning**—Extreme care is needed in handling the specimens. Contamination of the test surface by dust, lint, finger prints, or any foreign matter may change the surface characteristics of the specimens.)

**NOTE 7**—Plastic films and sheeting may exhibit different frictional properties in their respective principal directions due to anisotropy or extrusion effects. Specimens may be tested with their long dimension in either the machine or transverse direction of the sample, but it is more common practice to test the specimen as described in 6.1 with its long dimension parallel to the machine direction.

## 7. Preparation of Apparatus

7.1 **Fig. 1** shows five ways in which the apparatus may be assembled. The support bases for all apparatus assemblies shall be level.

7.2 If the apparatus of **Fig. 1(a)** or **(b)** is used, calibrate the scale of the spring gauge as follows:

7.2.1 Mount the low-friction pulley in front of the spring gauge.

7.2.2 Fasten one end of the nylon filament to the spring gauge, bring the filament over the pulley, and suspend a known weight on the lower end of the filament to act downward.

**NOTE 8**—The reading on the scale shall correspond to the known weight within  $\pm 5\%$ . The weight used for this calibration shall be between 50 and 75 % of the scale range on the gauge.

7.3 The drive speed for the apparatus of **Fig. 1(a and b)** shall be adjusted to  $150 \pm 30$  mm/min ( $6.0 \pm 1.2$  in./min). This speed may be checked by marking off a 150-mm (6.0 in.) section beside the plane and determining the time required for the plane to travel 150 mm.

7.4 If the apparatus of **Fig. 1(c and d)** employing a universal testing machine is used, select the proper speed setting for a crosshead motion of  $150 \pm 30$  mm/min ( $6.0 \pm 1.2$  in./min). A similar speed for the load-displacement recorder is desirable. However, the speed of the recorder can be adjusted to give the desired accuracy in reading the pen trace.

7.5 When the apparatus of **Fig. 1(c)** (moving sled-stationary plane) is used, wipe the support base free of foreign matter and lay down two strips of double-faced adhesive tape along the length of the supporting base so that they are approximately 100 mm (4 in.) between centers.

7.6 Fix the plane in position on the tape strips and firmly press in place.

## 8. Conditioning

8.1 **Conditioning**—Condition the test specimens at  $23 \pm 2^\circ\text{C}$  ( $73.4 \pm 3.6^\circ\text{F}$ ) and  $50 \pm 10\%$  relative humidity for not less than 40 h prior to test in accordance with Procedure A of

Practice **D618**, unless otherwise specified by agreement or the relevant ASTM material specification. In cases of disagreement, the tolerances shall be  $\pm 1^\circ\text{C}$  ( $\pm 1.8^\circ\text{F}$ ) and  $\pm 5\%$  relative humidity.

**NOTE 9**—In specific cases, such as control testing, where the conditioning requirements cannot be met and the data are of direct assistance to the operation, other conditioning procedures can be used and recorded in the report. Frictional properties are to be measured only after sufficient time has elapsed for the specimens to reach essential equilibrium with the ambient atmosphere.

**NOTE 10**—Certain lubricants and slip-agents are affected by relative humidity and aging time. This must be recognized and can dictate alternative conditioning. This can also be an item of interest for study and, if so, shall be noted in the report.

8.2 **Test Conditions**—Conduct the tests at  $23 \pm 2^\circ\text{C}$  ( $73.4 \pm 3.6^\circ\text{F}$ ) and  $50 \pm 10\%$  relative humidity unless otherwise specified by agreement or the relevant ASTM material specification. In cases of disagreement, the tolerances shall be  $\pm 1^\circ\text{C}$  ( $\pm 1.8^\circ\text{F}$ ) and  $\pm 5\%$  relative humidity.

## 9. Procedure

9.1 Tape the 250 by 130-mm (10 by 5-in.) film or sheet specimen to the plane with the machine direction of the specimen in the 250-mm direction. Smooth the film specimen to eliminate wrinkles if necessary, taking care not to alter the specimen surface through finger oils, etc.

**NOTE 11**—For some samples it has been found necessary to tape only the leading edge of the specimen to the plane. In some cases the specimen has been pulled through the nip rolls apparatus of **Fig. 1(b)** without the plane. However, should any dispute arise, taping of all four edges is considered to be the referee method.

9.1.1 For the sake of uniformity and later comparison when testing a specimen sliding over itself, the specimens shall be mounted so that the same side of the specimen shall be used as the contact surface for both the moving and stationary specimens.

**NOTE 12**—Coefficient of friction measurements may be made on a film or sheeting specimen when sliding over itself or over other substance surfaces wherein the movement is made in the transverse direction of the specimen. However, the methods described here are confined to movements in the machine direction of the specimens.

9.2 For film specimens, tape the edges of the 120-mm (4½-in.) square film specimen to the back of the sled, using adhesive tape and pulling the specimen tight to eliminate wrinkles without stretching it. For sheet specimens, tape the 63.5-mm (2½-in.) square sheet specimen or second substrate to the sled face with double faced tape. Keep the machine direction of the specimen parallel to the length of the sled (where such a direction exists and is identifiable).

9.3 Attach the specimen-covered sled through its eye screw to the nylon filament. If a universal testing machine is used (**Fig. 1(c and d)**), pass the filament through pulley(s) and upward to the bottom of the load-sensing device and attach securely. If a spring gauge is used (**Fig. 1(a and b)**), securely attach the filament to it. The nylon filament shall be of sufficient length to allow maximum sled or plane travel. With some slack in the nylon filament, lightly place the sled in position on the horizontal plane (**Note 12**). The positioning of the sled shall be such that the length of the sled, the adjacent

length of nylon filament, and the long dimension (machine direction) of the plane-mounted specimen are parallel. For material combinations found to have an excessive stick-slip tendency, wherein the kinetic portion of the test degenerates into a series of static tests interspersed by rapid jumps of the sled, it is advisable but not mandatory to substitute the metal tow line (5.7) for the nylon tow line to make kinetic measurements. This will necessitate making separate measurements for static and kinetic friction coefficients. Each laboratory will determine what level of stick-slip is considered excessive for its materials. In case of disagreement between testing laboratories, the nylon tow line remains the referee procedure.

NOTE 13—The purpose of using a nylon filament for the static friction and sometimes a metallic tow line for kinetic friction is to avoid a faster force buildup in the static measurement than the recorder can respond to, and to allow time for the recorder to separate the buildup of static friction force in the nylon filament from the mass acceleration force as the sled breaks loose. The opposite effect is needed from the metallic tow line during kinetic friction measurement to prevent the occurrence of repeated stick-slips instead of steady motion.

NOTE 14—It is important that the sled be placed very lightly and gently on the plane to prevent any unnatural bond from developing. A high starting coefficient of friction may be caused by undue pressure on the sled when mounting it onto the plane.

9.4 Start the driving mechanism (which has been adjusted previously to provide a speed of  $150 \pm 30$  mm/min ( $6.0 \pm 1.2$  in./min)). As a result of the frictional force between the contacting surfaces, no immediate relative motion may take place between the sled and the moving plane until the pull on the sled is equal to, or exceeds, the static frictional force acting at the contact surfaces. Record this initial, maximum reading as the force component of the static coefficient of friction.

9.4.1 If conducting the test at temperatures above 23°C (the temperature of the plane), ensure that sufficient time for the interface to reach the temperature of the plane has elapsed before starting the driving mechanism.

9.5 Record the visual average reading during a run of approximately 130 mm (5 in.) while the surfaces are sliding uniformly over one another. This is equivalent to the kinetic force required to sustain motion between the surfaces and normally is lower than the static force required to initiate motion. After the sled has traveled over 130 mm (5 in.) stop the apparatus and return to the starting position.

9.6 If a strain gauge and load-displacement recorder are used, either draw the best straight line midway between the maximum points and minimum points shown on the chart while the sled is in motion, or obtain the average load by integration of the recorder trace. The mean load is the kinetic friction force required to sustain motion on the sled.

9.7 Remove the film or sheeting specimen from the sled and the horizontal plane. The apparatus is now ready for the next set of specimens. A new set of specimens shall be used for each run. No specimen surface(s) shall be tested more than once unless such tests constitute one of the variables to be studied.

NOTE 15—The maximum point at which initial motion takes place between the sled and the horizontal plane should be carefully examined with reference to the rate of loading and the speed of response of the sensing device. Failure to consider this factor can lead to meaningless results for the value of the static coefficient of friction.

## 10. Calculation

10.1 Calculate the static coefficient of friction  $\mu_s$ , as follows:

$$\mu_s = A_s/B \quad (1)$$

where:

$A_s$  = initial motion scale reading, g, and  
 $B$  = sled weight, g.

10.2 Calculate the kinetic coefficient of friction,  $\mu_k$ , as follows:

$$\mu_k = A_k/B \quad (2)$$

where:

$A_k$  = average scale reading obtained during uniform sliding of the film surfaces, g, and  
 $B$  = sled weight, g.

10.3 Calculate the arithmetic mean of each set of observations and report these values to three significant figures.

10.4 Calculate the standard deviation (estimated to be  $\pm 15\%$  of the value of the coefficient of friction) as follows, and report it to two significant figures:

$$s = \sqrt{(\sum X^2 - n \bar{X}^2)/(n - 1)} \quad (3)$$

where:

$s$  = sample standard deviation,  
 $X$  = value of a single observation,  
 $n$  = number of observations, and  
 $\bar{X}$  = arithmetic mean of the set of observations.

## 11. Report

11.1 Report the following information:

11.1.1 Complete description of the plastic sample, including manufacturer's code designation, thickness, method of production, surfaces tested, principal directions tested, and approximate age of sample after manufacture,

11.1.2 Description of second substance if used,

11.1.3 Apparatus used,

11.1.4 Average static and kinetic coefficients of friction, together with the standard deviation,

11.1.5 Number of specimens tested for each coefficient of friction, and

11.1.6 The temperature of the plane at which the test was conducted.

## 12. Precision and Bias<sup>8</sup>

12.1 *Precision:*

12.1.1 The precision of this test method, as described in Table 1, is based on an interlaboratory study of Test Method D1894, conducted in 2010. Eight laboratories tested four different plastic sheeting materials. Every "test result" represents an individual determination. Each laboratory was instructed to report three replicate test results for each material. Except for the limited number of responses from the participating laboratories, Practice E691 was followed for the design

<sup>8</sup> Supporting data have been filed at ASTM International Headquarters and may be obtained by requesting Research Report RR:D20-1253.

**TABLE 1 Coefficient of Friction Precision Data**

Static Coefficient of Friction at 23°C					
Material	Average <sup>A</sup>	Repeatability Standard Deviation	Reproducibility Standard Deviation	Repeatability Limit	Reproducibility Limit
	$\bar{x}$	$S_r^B$	$S_R^C$	$r^D$	$R^E$
PP 2.2 mil	0.763	0.089	0.233	0.250	0.652
LLDPE 1.6 mil	0.872	0.104	0.466	0.290	1.306
LLDPE 2.0 mil	0.099	0.064	0.094	0.179	0.264
LDPE 1.0 mil	0.261	0.037	0.081	0.103	0.227
Kinetic Coefficient of Friction at 23°C					
Material	Average <sup>A</sup>	Repeatability Standard Deviation	Reproducibility Standard Deviation	Repeatability Limit	Reproducibility Limit
	$\bar{x}$	$S_r^B$	$S_R^C$	$r^D$	$R^E$
PP 2.2 mil	0.649	0.069	0.253	0.193	0.707
LLDPE 1.6 mil	1.008	0.127	0.429	0.355	1.202
LLDPE 2.0 mil	0.067	0.033	0.054	0.092	0.152
LDPE 1.0 mil	0.244	0.033	0.044	0.093	0.124

<sup>A</sup>The average of the laboratories' calculated averages.

<sup>B</sup> $S_r$  = within-laboratory standard deviation of the average.

<sup>C</sup> $S_R$  = between-laboratories standard deviation of the average.

<sup>D</sup> $r$  = 2.83  $S_r$ .

<sup>E</sup> $R$  = 2.83  $S_R$ .

and analysis of the data; the details are given in ASTM Research Report No. D20-1253.

12.1.2 *Repeatability Limit (r)*—Two test results obtained within one laboratory shall be judged not equivalent if they differ by more than the  $r$  value for that material;  $r$  is the interval representing the critical difference between two test results for the same material, obtained by the same operator using the same equipment on the same day in the same laboratory.

12.1.2.1 Repeatability limits are listed in **Table 1**.

12.1.3 *Reproducibility limit (R)*—Two test results shall be judged not equivalent if they differ by more than the  $R$  value for that material;  $R$  is the interval representing the critical difference between two test results for the same material, obtained by different operators using different equipment in different laboratories.

12.1.3.1 Reproducibility limits are listed in **Table 1**.

12.1.4 The above terms (repeatability limit and reproducibility limit) are used as specified in Practice **E177**.

12.1.5 Any judgment in accordance with statements 9.1.1 and 9.1.2 would normally have an approximate 95 % probability of being correct, however the precision statistics obtained in

this ILS must not be treated as exact mathematical quantities which are applicable to all circumstances and uses. The limited number of laboratories reporting replicate results guarantees that there will be times when differences greater than predicted by the ILS results will arise, sometimes with considerably greater or smaller frequency than the 95 % probability limit would imply. Consider the repeatability limit and the reproducibility limit as general guides, and the associated probability of 95 % as only a rough indicator of what can be expected.

12.2 *Bias*—At the time of the study, there was no accepted reference material suitable for determining the bias for this test method, therefore no statement on bias is being made.

### 13. Keywords

13.1 friction; kinetic coefficient of friction; plastic film; plastic sheeting; slip; static coefficient of friction

## SUMMARY OF CHANGES

Committee D20 has identified the location of selected changes to this standard since the last issue (D1894 - 11) that may impact the use of this standard. (March 1, 2014)

(1) Revised footnote in **5.1** by removing sole source supplier information.

*ASTM International takes no position respecting the validity of any patent rights asserted in connection with any item mentioned in this standard. Users of this standard are expressly advised that determination of the validity of any such patent rights, and the risk of infringement of such rights, are entirely their own responsibility.*

*This standard is subject to revision at any time by the responsible technical committee and must be reviewed every five years and if not revised, either reapproved or withdrawn. Your comments are invited either for revision of this standard or for additional standards and should be addressed to ASTM International Headquarters. Your comments will receive careful consideration at a meeting of the responsible technical committee, which you may attend. If you feel that your comments have not received a fair hearing you should make your views known to the ASTM Committee on Standards, at the address shown below.*

*This standard is copyrighted by ASTM International, 100 Barr Harbor Drive, PO Box C700, West Conshohocken, PA 19428-2959, United States. Individual reprints (single or multiple copies) of this standard may be obtained by contacting ASTM at the above address or at 610-832-9585 (phone), 610-832-9555 (fax), or [service@astm.org](mailto:service@astm.org) (e-mail); or through the ASTM website ([www.astm.org](http://www.astm.org)). Permission rights to photocopy the standard may also be secured from the Copyright Clearance Center, 222 Rosewood Drive, Danvers, MA 01923, Tel: (978) 646-2600; <http://www.copyright.com/>*