



# Standard Test Method for Foaming Tendencies of Engine Coolants in Glassware<sup>1</sup>

This standard is issued under the fixed designation D1881; the number immediately following the designation indicates the year of original adoption or, in the case of revision, the year of last revision. A number in parentheses indicates the year of last reapproval. A superscript epsilon ( $\epsilon$ ) indicates an editorial change since the last revision or reapproval.

*This standard has been approved for use by agencies of the U.S. Department of Defense.*

## 1. Scope

1.1 This test method covers a simple glassware test for evaluating the tendency of engine coolants to foam under laboratory-controlled conditions of aeration and temperature.

1.2 *This standard does not purport to address all of the safety concerns, if any, associated with its use. It is the responsibility of the user of this standard to establish appropriate safety and health practices and determine the applicability of regulatory limitations prior to use.* For specific warning statements, see and .

1.3 The values stated in SI units are to be regarded as standard. The values given in parentheses are approximate equivalents provided for information purposes only.

## 2. Referenced Documents

2.1 *ASTM Standards:*<sup>2</sup>

D1176 Practice for Sampling and Preparing Aqueous Solutions of Engine Coolants or Antirusts for Testing Purposes

D1193 Specification for Reagent Water

D3585 Specification for ASTM Reference Fluid for Coolant Tests

E1 Specification for ASTM Liquid-in-Glass Thermometers

E128 Test Method for Maximum Pore Diameter and Permeability of Rigid Porous Filters for Laboratory Use

## 3. Terminology

3.1 *Definitions of Terms Specific to This Standard:*

3.1.1 *break time, n*—the time required for the foam to collapse (after the air supply has been shut off) to the first appearance of an “eye” on the surface of the test solution.

3.1.2 *eye, n*—the appearance of foam free area on the surface of the test coolant surrounded by a ring of foam clinging to the cylinder walls.

<sup>1</sup> This test method is under the jurisdiction of ASTM Committee D15 on Engine Coolants and Related Fluids and is the direct responsibility of Subcommittee D15.06 on Glassware Performance Tests.

Current edition approved Nov. 1, 2009. Published December 2009. Originally approved in 1961 as D1881 – 61 T. Last previous edition D1881 – 97(02)<sup>ε1</sup>. DOI: 10.1520/D1881-97R09.

<sup>2</sup> For referenced ASTM standards, visit the ASTM website, www.astm.org, or contact ASTM Customer Service at service@astm.org. For *Annual Book of ASTM Standards* volume information, refer to the standard’s Document Summary page on the ASTM website.

## 4. Summary of Test Method

4.1 A solution of coolant and ASTM Type II water is blown with air at a constant rate for 5 min, while maintained at a constant temperature of  $88 \pm 1^\circ\text{C}$  ( $190 \pm 2^\circ\text{F}$ ) by means of a suitable temperature bath. The volume of foam, and the time for such foam to break, are measured.

## 5. Significance and Use

5.1 The test method generally will distinguish coolants that have a tendency to foam excessively from those that are suitable for further evaluation to determine performance in actual service.

NOTE 1—In use, the foaming tendency of a coolant solution may be increased by service aging or contamination. A properly functioning pressure cap will tend to suppress foaming in coolant solutions.

## 6. Apparatus

6.1 *Container*—A 500-mL graduated container of heat-resistant glass, having a diameter of 45 to 50 mm and a length of 380 mm.

6.2 *Temperature Bath*—A heat resistant glass container large enough to permit immersion of the graduated container at least to the 350 mL graduation mark. A 4000-mL beaker is satisfactory.

6.3 *Heat Source*—Any heating system capable of maintaining a uniform bath temperature  $\pm 1^\circ\text{C}$  ( $\pm 2^\circ\text{F}$ ). A 750-watt electric hot-plate is satisfactory.

6.4 *Aerator Tube*—A 25.4-mm (1-in.) diameter spherical gas-diffuser stone<sup>3</sup> made of fused crystalline alumina grain which meets the following specifications when tested in accordance with the method given in [Annex A1](#):

Maximum pore diameter, $\mu\text{m}$	Not greater than 80
Permeability at a pressure of 2.45 kPa, mL of air/min	3000 to 6400

6.5 *Thermometer*—An ASTM Partial Immersion Thermometer having a range from  $-20$  to  $+150^\circ\text{C}$  ( $0$  to  $302^\circ\text{F}$ ) and conforming to the requirements for Thermometer 1F as prescribed in Specification [E1](#).

<sup>3</sup> For information on aerator supplier and specifications contact ASTM Subcommittee D15.06 through ASTM International Headquarters.

6.6 *Air Supply*—A clean and dry source, free from grease and other contaminants, capable of maintaining the prescribed flow rate through the diffuser stone.

6.7 *Timer*—A stop watch or suitable timing device, accurate to  $\pm 0.2$  s.

6.8 *Vent*—A three-way stopcock inserted in the metered air supply line immediately ahead of the aerator tube.

6.9 *Typical Assembly Set-Up*—A typical apparatus using a hot-plate heat source is shown in Fig. 1.

## 7. Materials and Reagents

7.1 *Purity of Water*—Unless otherwise indicated, references to water means reagent water as defined by Type II of Specification D1193.

7.2 *Acetone*, for flushing and drying the test equipment. (**Warning**—Acetone is extremely flammable.)

7.3 *Specification D3585 Test Coolant*—Unless otherwise indicated, references to the reference test coolant means Specification D3585 coolant prepared without antifoam (Pluronic L-61) as defined in Specification D3585.

7.4 *Cleaning Bath*—Refers to an acid or base cleaning solution used to clean glassware between tests. The choice of cleaning baths depends on individual needs. For example, Nochromix and alcoholic sodium (potassium) hydroxide are

common acid and base cleaning baths, respectively.<sup>4</sup> (**Warning**—The cleaning baths are strong oxidants and strong acid and base, respectively. Avoid contact with skin, eyes, and clothing. Do not breathe vapor. Handle in a fume hood.)

## 8. Test Solution

8.1 A 33 % by volume solution of reference coolant (Specification D3585 test coolant without antifoam) shall be prepared with the proper quantity of Type II water.

8.2 Prepare a 33 % by volume solution of the coolant to be tested with Type II water. Use the same glassware used to prepare the reference coolant test solution. Rinse the glassware with Type II water between preparations. Additive concentrates shall be diluted with Type II water to recommended use concentration. Preparation of the sample shall be done in accordance with treatment of mixtures described in Test Method D1176. Thus, any insoluble materials will be included in the representative sample.

## 9. Test Conditions

9.1 *Test Temperature*—The temperature bath shall be kept at a constant volume (350 to 375 mL mark of the graduated cylinder) throughout the test. The test solution shall be maintained at  $88 \pm 1^\circ\text{C}$  ( $190 \pm 2^\circ\text{F}$ ) throughout. This temperature is suitable for both high-boiling and low-boiling coolants.

9.2 *Aeration Rate*—The aeration rate shall be  $1000 \pm 25$  mL/min.

9.3 *Number of Tests*—The reference coolant shall be tested to determine if the glassware and testing equipment is contaminated with residue defoamer. If the reference coolant gives a foam volume of greater than 250 mL and a break time of greater than 8 s, drain the reference coolant from the glassware, rinse with Type II water and use for the preparation of the test coolant.

9.3.1 Each test coolant shall be tested in triplicate, using a freshly prepared test solution (Section 8) for each test. The entire container and aerator tube (see 6.1 and 6.4) shall be cleaned scrupulously between each test. The container shall be cleaned in cleaning bath and the aerator tube shall be immersed first in acetone and flushed back and forth, and then in water and flushed back and forth, using vacuum and air pressure. The entire assembly shall be thoroughly rinsed with Type II water before each test.

NOTE 2—Scrupulously cleaning of the glassware, aerator tube and diffuser stone between tests will reduce the potential carry-over of antifoam from previous test or glassware detergents that can interfere with test reproducibility.

## 10. Procedure

10.1 Heat 145 mL of solution to  $88^\circ\text{C}$  ( $190^\circ\text{F}$ ) in the container positioned in the temperature bath. Immerse the

<sup>4</sup> Nochromix is an inorganic oxidizer that contains no metallic ions. The white powder is dissolved in water and mixed with concentrated sulfuric acid, giving a solution that reportedly is more strongly oxidizing than chromic acid.

The sole source of supply of Nochromix known to the committee at this time is Godax Laboratories Inc., 720-B Erie Ave., Takoma Park, MD 20912. If you are aware of alternative suppliers, please provide this information to ASTM International Headquarters. Your comments will receive careful consideration at a meeting of the responsible technical committee,<sup>1</sup> which you may attend.

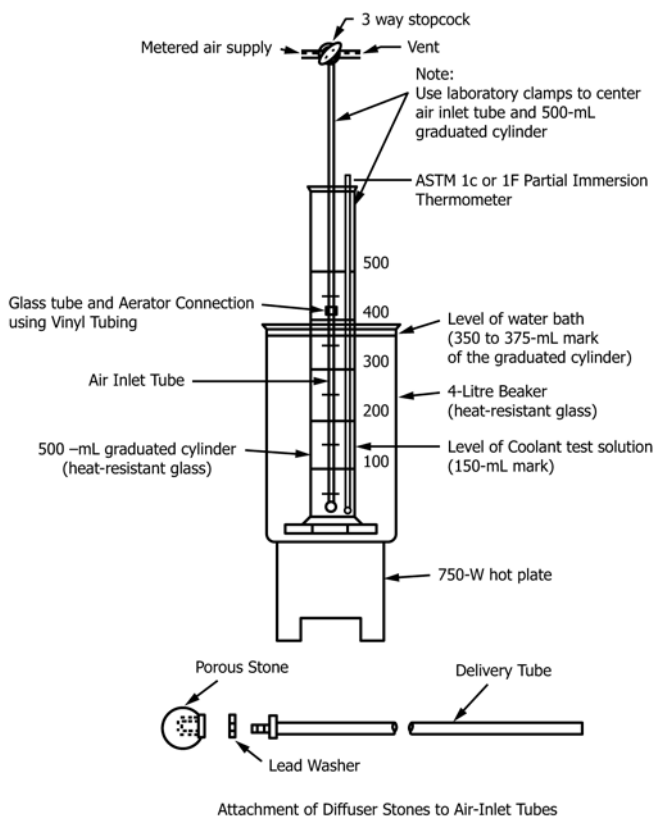


FIG. 1 Schematic Drawing of Apparatus for Glassware Foam Test

aerator tube and read the level of the liquid to the nearest 5 mL. Measure the temperature with the thermometer inside the graduated container.

10.2 Connect air supply, position stopcock to permit air flow to aerator tube, and adjust the air flow rate of 1000 mL/min using a manometer or other suitable instrument for accurately measuring volumes of air flow.

10.3 If the volume of the test solution drops as a result of evaporation, replenish the test solution to its original volume using Type II water before initiating aeration. Measure the temperature of the test solution at the start of aeration.

10.4 The timing of the 5-min aeration period shall start at the appearance of the first bubbles in the test solution.

10.5 At the end of 5 min, measure the volume of foam at the highest level and subtract the initial volume read after inserting the aerator tube. Read the foam volume to the nearest 5-mL graduation.

10.6 Relieve the air pressure by positioning the three-way stopcock to shut off the air supply and vent the inlet tube to the atmosphere simultaneously, and record precisely ( $\pm 0.2$  s) the

time for the foam to collapse to the first appearance of an “eye” on the surface of the test solution.

**11. Report**

11.1 The testing shall be done in triplicate, using a freshly prepared solution for each test run. The report shall include the test results tabulated as follows:

Test Run	Foam Volume at 5 min	“Break Time” Appearance of “Eye”
1	_____ mL	_____ s
2	_____ mL	_____ s
3	_____ mL	_____ s
<hr/>		
Average	_____ mL	_____ s

**12. Precision and Bias**

12.1 A statement on precision is under review, and round robin testing is currently in progress.

**13. Keywords**

13.1 engine coolants; foaming; glassware

**ANNEX**

**(Mandatory Information)**

**A1. TEST FOR MAXIMUM PORE DIAMETER AND PERMEABILITY OF STONE DIFFUSERS  
(Based on Test Method E128, E1)**

**A1.1 Definitions**

A1.1.1 *maximum pore diameter*—the diameter in micrometres of a capillary of circular cross section which is equivalent (with respect to surface tension effects) to the largest pore in the diffuser under consideration.

A1.1.2 *permeability*—the flow of air, in millilitres per minute through the diffuser stone at air pressure of 2.5 kPa (250 mm of water).

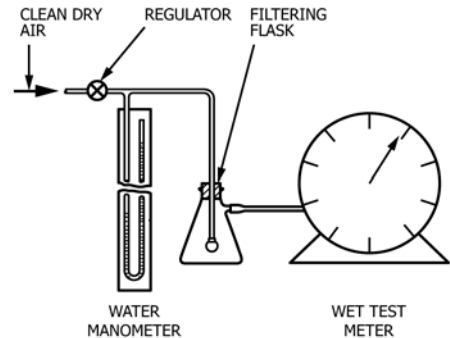
**A1.2 Apparatus**

A1.2.1 Apparatus for the maximum pore diameter determination consists of a regulated source of clean, dry, compressed air; a U-tube water manometer of sufficient length to read a pressure differential of 800 mm; and a cylinder of a size sufficient (250 mL is suitable) to conveniently immerse a diffuser stone to a depth of 100 mm.

A1.2.2 Additional apparatus for permeability determination consists of a gas volume meter of sufficient capacity to measure flow rates of at least 6000 mL/min, and a filtering flask large enough that 25.4-mm (1-in.) diameter diffuser stones will pass through the neck. The flask shall be fitted with a rubber stopper with a single hole to admit the air-inlet tube (see Fig. A1.1).

**A1.3 Procedure**

A1.3.1 *Maximum Pore Diameter*—Support the clean diffuser by an air-inlet tube at a depth of 100 mm as measured to



**FIG. A1.1 Apparatus for Measuring Permeability**

the top of the stone in distilled water in a cylinder and allow it to soak for at least 2 min. Connect the air-inlet tube to a controllable source of clean, compressed air and a manometer as shown in Fig. A1.2. Increase the air pressure at a rate of about 50 mm of water/min until the first dynamic bubble passes through the filter and rises through the water. The first dynamic bubble is recognized by being followed by a succession of additional bubbles. Read the water level in both legs of the manometer and record the difference as the pressure, *p*. The uniformity of distribution of pores approaching maximum pore size may be observed by gradually increasing the air pressure and noting the uniformity with which streams of bubbles are distributed over the surface.

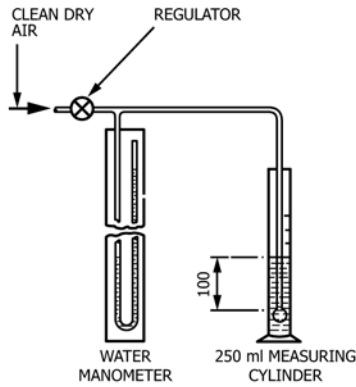


FIG. A1.2 Apparatus for Measuring Maximum Pore Size

Calculate maximum pore diameter,  $D$ , in micrometres, as follows:

$$D = 29\,225/(p - 100) \quad (\text{A1.1})$$

where:

$p$  = pressure, mm.

A1.3.2 *Permeability*—Connect the clean, dry diffuser stone to a controllable source of clean, dry, compressed air and place it in a filtering flask connected to a suitable flowmeter as shown in Fig. A1.1. Adjust the pressure differential to 2.5 kPa (250 mm of water) and measure the rate of flow of air through the diffuser stone in millilitres per minute. Depending on the sensitivity of the flowmeter used, this observation may be made for a suitably longer period and the average flow rate per minute recorded.

ASTM International takes no position respecting the validity of any patent rights asserted in connection with any item mentioned in this standard. Users of this standard are expressly advised that determination of the validity of any such patent rights, and the risk of infringement of such rights, are entirely their own responsibility.

This standard is subject to revision at any time by the responsible technical committee and must be reviewed every five years and if not revised, either reapproved or withdrawn. Your comments are invited either for revision of this standard or for additional standards and should be addressed to ASTM International Headquarters. Your comments will receive careful consideration at a meeting of the responsible technical committee, which you may attend. If you feel that your comments have not received a fair hearing you should make your views known to the ASTM Committee on Standards, at the address shown below.

This standard is copyrighted by ASTM International, 100 Barr Harbor Drive, PO Box C700, West Conshohocken, PA 19428-2959, United States. Individual reprints (single or multiple copies) of this standard may be obtained by contacting ASTM at the above address or at 610-832-9585 (phone), 610-832-9555 (fax), or service@astm.org (e-mail); or through the ASTM website (www.astm.org). Permission rights to photocopy the standard may also be secured from the Copyright Clearance Center, 222 Rosewood Drive, Danvers, MA 01923, Tel: (978) 646-2600; http://www.copyright.com/