



Standard Test Method for Corrosion Test for Engine Coolants in Glassware¹

This standard is issued under the fixed designation D1384; the number immediately following the designation indicates the year of original adoption or, in the case of revision, the year of last revision. A number in parentheses indicates the year of last reapproval. A superscript epsilon (ϵ) indicates an editorial change since the last revision or reapproval.

1. Scope

1.1 This test method covers a simple beaker-type procedure for evaluating the effects of engine coolants on metal specimens under controlled laboratory conditions (see [Appendix X1](#)).

NOTE 1—For more information on engine coolants, see (Refs [1-8](#)).²

1.2 The values stated in SI units are to be regarded as the standard. The values given in parentheses are for information only.

1.3 *This standard does not purport to address all of the safety concerns, if any, associated with its use. It is the responsibility of the user of this standard to establish appropriate safety and health practices and determine the applicability of regulatory limitations prior to use.* Specific hazards statements are given in [10.1.7.2](#), [10.1.7.3](#), and [10.1.7.4](#).

2. Referenced Documents

2.1 *ASTM Standards*:³

[B32 Specification for Solder Metal](#)

[B36/B36M Specification for Brass Plate, Sheet, Strip, and Rolled Bar](#)

[D1176 Practice for Sampling and Preparing Aqueous Solutions of Engine Coolants or Antirusts for Testing Purposes](#)

[E1 Specification for ASTM Liquid-in-Glass Thermometers](#)

[E178 Practice for Dealing With Outlying Observations](#)

[E230 Specification and Temperature-Electromotive Force \(EMF\) Tables for Standardized Thermocouples](#)

¹ This test method is under the jurisdiction of ASTM Committee D15 on Engine Coolants and Related Fluids and is the direct responsibility of Subcommittee D15.06 on Glassware Performance Tests.

Current edition approved April 1, 2012. Published June 2012. Originally approved in 1955. Last previous edition approved in 2005 as D1384–04 (2005). DOI: 10.1520/D1384-05R12.

² The boldface numbers in parentheses refer to the list of references at the end of this standard.

³ For referenced ASTM standards, visit the ASTM website, www.astm.org, or contact ASTM Customer Service at service@astm.org. For *Annual Book of ASTM Standards* volume information, refer to the standard's Document Summary page on the ASTM website.

[G31 Guide for Laboratory Immersion Corrosion Testing of Metals](#)

2.2 *ASTM Adjuncts*:

All-glass apparatus for corrosion test (2 drawings)⁴

3. Summary of Test Method

3.1 In this test method, specimens of metals typical of those present in engine cooling systems are totally immersed in aerated engine coolant solutions for 336 h at 88°C (190°F). The corrosion-inhibitive properties of the test solution are evaluated on the basis of the weight changes incurred by the specimens. Each test is run in triplicate, and the average weight change is determined for each metal. A single test may occasionally be completely out of line (see [11.2](#)).

4. Significance and Use

4.1 This test method will generally distinguish between coolants that are definitely deleterious from the corrosion standpoint and those that are suitable for further evaluation. However, the results of this test method cannot stand alone as evidence of satisfactory corrosion inhibition. The actual service value of an engine coolant formulation can be determined only by more comprehensive bench, dynamometer, and field tests.

5. Apparatus

5.1 *Container*—A 1000-mL, tall-form, spoutless beaker, made of heat-resistant glass, for containing the engine coolant solution and test specimens. The beaker shall be tightly closed with a No. 15 rubber stopper, having drill holes to accommodate a water condenser, an aerator tube, and a thermometer as shown in [Fig. 1](#). Optionally, an all-glass apparatus may be used.⁴

5.2 *Condenser*—A water condenser of the reflux, glass-tube type, having a 400-mm (16-in.) condenser jacket.

⁴ Details available from: ASTM International Headquarters. Order Adjunct No. [ADJD1384](#). Original adjunct produced in (1980).

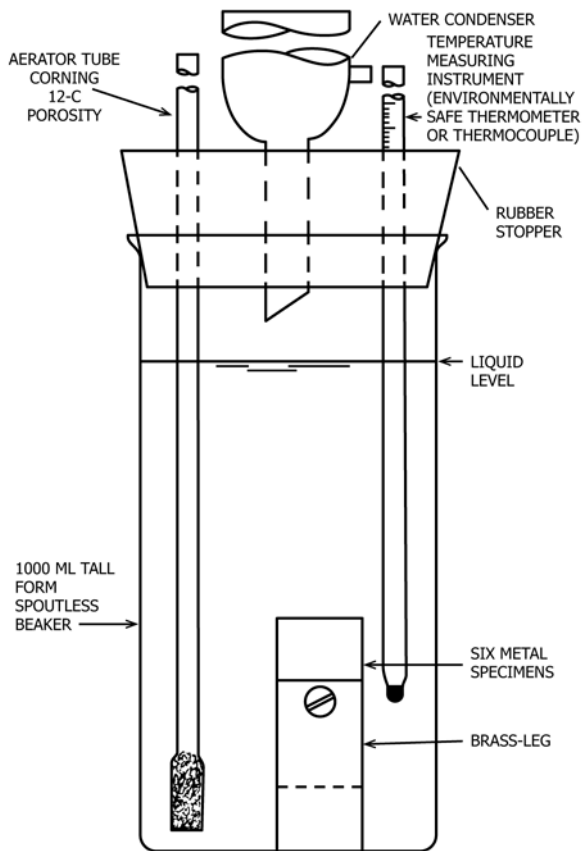


FIG. 1 Metal Specimens and Equipment for the 336-h Corrosion Test

5.3 *Aerator Tube*— A gas-dispersion tube, porosity size 12-C,⁵ to ensure continuous aeration without plugging.

5.4 *Temperature Measuring Instrument (Environmentally Safe Thermometer or Thermocouple)*— An ASTM Partial Immersion Temperature Measuring Instrument having a range from -20 to 150°C (0 to 302°F) and conforming to the requirements for Thermometer 1C (1F), as prescribed in Specification E1 or Thermocouple as summarized in Specification E230.

5.5 *Heater*—A constant-temperature bath containing a high-boiling liquid (see Note 2) that is capable of giving continuous service with the specified temperature control.⁶ The size of the bath will be determined by the number of corrosion tests that are to be run concurrently.

⁵ The sole source of supply of the apparatus known to the committee at this time is the Corning Glass Works. Gas-dispersion tube No. 39533, manufactured by the Corning Glass Works, 44-5 Crystal St., Corning, NY, has generally been found satisfactory for this purpose. Optionally, a capillary tip bleed tube with 0.28-in. (7-mm) bore and 11.2-in. (280-mm) length may be used when consistent early plugging of gas dispersion tubes occurs. The tube, catalog No. 7815-19, may be obtained from the Corning Glass Works, Corning, NY 14830. If you are aware of alternative suppliers, please provide this information to ASTM International Headquarters. Your comments will receive careful consideration at a meeting of the responsible technical committee¹, which you may attend.

⁶ If a water bath is used, a significant reduction in evaporation rate is achieved by addition of floating plastic chips on the water surface.

6. Metal Test Specimens

NOTE 2—The specimens prescribed in this test method have been accepted by automobile manufacturers, but their composition may not be the same as that of alloys currently used for engine cooling system components. Therefore, specimens other than those designated in this test method may be used by mutual agreement of the parties involved.

6.1 *Type*—The following metal test specimens,⁷ representative of cooling system metals, shall be used:

6.1.1 *Steel*, UNS G10200 (SAE 1020),⁸ cut from 1.59-mm ($1/16$ -in.) cold-rolled sheet stock to size 50.8 by 25.4 mm (2 by 1 in.). Chemical composition of the carbon steel is as follows: carbon, 0.17 to 0.23 %; manganese, 0.30 to 0.60 %; phosphorus, 0.040 % maximum; sulfur, 0.050 % maximum.

6.1.2 *Copper*, conforming to UNS C11000 (SAE CA110)⁸ or UNS C11300 (SAE CA113)⁸. Cold-rolled, cut from 1.59-mm ($1/16$ -in.) sheet stock to size 50.8 by 25.4 mm (2 by 1 in.).

6.1.3 *Brass*, conforming to Alloy UNS C26000 (SAE CA 260).⁹ Half-hard, cut from 1.59-mm ($1/16$ -in.) sheet stock to size 50.8 by 25.4 mm (2 by 1 in.).

6.1.4 *Solder*—A brass specimen as described in 6.1.3, coated with solder conforming to Alloy Grade 30A (SAE 3A) of Specification B32.⁹ Solder-coated specimens may be prepared, or used specimens recoated for reuse, by the procedure given in Annex A1. A solid solder specimen cut from 1.59-mm ($1/16$ -in.) sheet stock of Alloy Grade 30A (SAE 3A) to size 50.8 by 25.4 mm (2 by 1 in.) may be used subject to mutual agreement of the parties involved. The use of a solid solder specimen must be reported along with the metal specimen weight loss results.

6.1.4.1 When agreed upon between the supplier and the purchaser of engine coolants, the standard solder specimen may be replaced with one having a different alloy composition than standard Alloy Grade 30A or 30B. Use of specimens other than standard Alloy Grade 30A or 30B shall be noted in the test report.

NOTE 3—Where non-standard alloy is used, the standard flux shown in A1.1.5 may not be satisfactory. A low corrosive flux may be required.

6.1.5 *Cast Aluminum*, conforming to Alloy UNS A23190 (SAE 329).⁸ Specimen size, 50.8 by 25.4 by 3.18 mm (2 by 1 by $1/8$ in.).

6.1.6 *Cast Iron*, conforming to Alloy UNS F10007 (SAE G3500).⁷ Specimen size, 50.8 by 25.4 by 3.18 mm (2 by 1 by $1/8$ in.).

6.2 Arrangement (See Fig. 2):

6.2.1 *Metal Specimen Arrangement*—None of the hardware used in metal specimen arrangement (metal specimen, screws, washers, metal spacers, insulating sleeves, insulating spacers and nuts) can be reused for a test. The metal test specimens shall be drilled through the center with a 6.75-mm ($17/64$ -in.)

⁷ Complete sets or individual metal test specimens are available from (a) Chemical Specialties Manufacturers Association, Inc., Suite 1120, 1001 Connecticut Ave., N.W., Washington, DC 20036; (b) Astro-Mechanics, Inc., 8500 Research Blvd., Austin, TX 78766; (c) The Metaspes Company, P.O. Box 27707, San Antonio, TX 78227; or (d) Metal Samples Co. Inc., P.O. Box 8, Munford, AL 36268.

⁸ UNIFIED numbering system for metals and alloys, SAE-ASTM, July 1995.

⁹ Round-robin evaluation of coated solder report is available from ASTM Headquarters. Request RR:D15-0132.

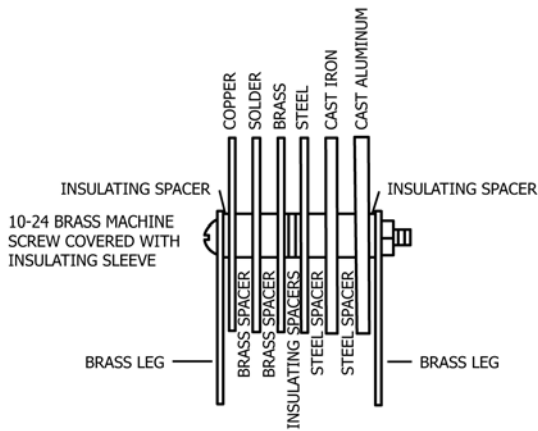


FIG. 2 Metal Specimen Arrangement

drill to accommodate a 50.8-mm (2-in.) 10–24 brass machine screw covered with a thin-walled insulating sleeve. Tetrafluoroethylene tubing with a 6.35-mm (1/4-in.) outside diameter 1.59-mm (1/16-in.) wide and a wall thickness of 0.4 mm (1/64-in.) is satisfactory. Two half-hard brass legs shall be cut from 1.59-mm (1/16-in.) sheet stock to size 50.8 by 25.4 mm (2 by 1 in.). A 6.35-mm (1/4-in.) diameter hole shall be drilled in each leg with the center 6.35 mm (1/4 in.) from the top and 12.7 mm (1/2 in.) from each side. The test “bundle” shall be made up on the insulated screw with the specimens in the following order: brass leg, copper, solder, brass, steel, cast aluminum, and brass leg. The specimens shall be separated by 4.76-mm (3/16-in.) thick solid metal spacers having a 6.75-mm (1/4-in.) inside diameter and a 11.11-mm (7/16-in.) outside diameter. Insulating spacers made from tetrafluoroethylene shall be used between the brass legs and the specimen “bundle,” and between the brass and steel specimens. Brass spacers shall be used between the brass, solder, and copper specimens, and steel spacers between the cast iron, steel, and cast aluminum specimens. The nut shall be tightened firmly to ensure good electrical contact between the test specimens in each section of the “bundle.”

6.2.2 *Alternate Metal Specimen Arrangement*—When agreed upon between the supplier and the purchaser, an alternate metal specimen arrangement may be used to evaluate multiple solder alloys, such as high lead Alloy Grade L50113⁹ consisting of 97 % lead, 2.5 % tin, 0.3 % silver, concurrently with Standard Alloy Grade 30A or 30B. It is recommended that the metal specimen arrangement be modified by replacing the copper specimen with the high lead solder specimen and arranging specimens in the bundle as follows:

High Lead Solder	Brass	Alloy Grade 30A or 30B	Steel	Cast Iron	Cast Aluminum
------------------	-------	------------------------	-------	-----------	---------------

Use of alternate specimens and metal specimens arrangements shall be noted in the test report.

7. Preparation of Test Specimens

7.1 Sand the cast iron and cast aluminum specimens on the 25.4 by 50.8-mm (1 by 2-in.) cut surfaces with “coarse” grade (No. 1) emery cloth. Remove any burrs from coupon edges and hole. Scrub all specimens vigorously, using a moistened bristle brush and ground pumice powder or fine silicon carbide grit

until the entire metal area is bright, shiny, and free from any visible oxide film or tarnish.

7.2 Rinse the specimens thoroughly with tap water; then rinse with acetone, dry, and weigh to the nearest 1 mg. Cast aluminum specimens should be dried in a 100°C oven for 1 h, to a constant weight, prior to recording the weight.

NOTE 4—If the test specimens are not to be used immediately, keep them in a desiccator until required.

8. Test Solutions

8.1 The concentration of the engine coolant to be tested shall be as follows:

8.1.1 *Engine Coolant*—The engine coolant, EG or PG based, shall be mixed with the proper quantity of corrosive water to give a 33 1/3 volume % coolant test solution.

8.1.2 *Corrosive Water (Note 4)*—The corrosive water shall contain 100 ppm each of sulfate, chloride, and bicarbonate ions introduced as sodium salts.

8.2 *Preparation of Sample*—The preparation of the sample shall be done in accordance with the section on Preparation of Solutions Requiring Inclusion of Separated Solids and Liquids in Test Method D1176, except that the corrosive water shall be used for dilution instead of distilled water. Thus, any insoluble materials will be included in the representative sample.

NOTE 5—The specified corrosive water can be prepared by dissolving the following amounts of anhydrous sodium salts in a quantity of distilled or deionized water.

sodium sulfate	148 mg
sodium chloride	165 mg
sodium bicarbonate	138 mg

The resulting solution should be made up to a volume of 1 L with distilled or deionized water at 20°C.

If relatively large amounts of corrosive water are needed for testing, a concentrate may be prepared by dissolving ten times the above amounts of the three chemicals, in distilled or deionized water, and adjusting the total volume to 1 L by further additions of distilled or deionized water. When needed, the water concentrate is diluted to the ratio of one part by volume of concentrate to nine parts of distilled or deionized water.

9. Test Conditions

9.1 *Beaker Assembly*—The arrangement of the assembled metal specimens with relation to the aerator tube and other components is shown in Fig. 1. Note that the tip of the condenser just emerges from the bottom of the rubber stopper.

9.2 *Test Temperature*—The test solution shall be maintained at a temperature of 88 ± 2°C (190 ± 5°F).

9.3 *Aeration Rate*—The aeration rate shall be 100 ± 10 mL/min. The aerator tube should be located at least 12.7 mm (1/2 in.) away from the test “bundle” to avoid direct contact with the metal specimens.

9.4 *Test Duration*—The test shall be run continuously for 2 weeks (336 h).

10. Procedure

10.1 Make triplicate tests concurrently on each engine coolant solution in accordance with the following procedure:

10.1.1 Carefully clean the test beaker, condenser, rubber stopper, and aerator tube, and thoroughly rinse with water.

10.1.2 Bolt the specimens together in the order given in 6.2 and place the “bundle” in the test beaker as shown in Fig. 1.

10.1.3 Pour 750 mL of the prepared test solution into the 1000-mL beaker.

10.1.4 Fit the condenser and aeration tube to the beaker, and set the aeration rate at 100 mL/min, using a flow meter or other suitable device.

10.1.5 Raise the temperature of the test solution to 88°C (190°F) for high-boiling engine coolants. Pass water through the condenser at a rate sufficient to maintain adequate cooling.

10.1.6 Check the tests once each working day to ensure proper solution temperature, aeration rate, and solution level. The tests may operate unattended on weekends and holidays. Make up evaporation losses during the corrosion tests by addition of distilled or deionized water.

10.1.7 At the end of the test, *immediately* disassemble specimens and brush very lightly with a soft bristle brush and water to remove loosely held corrosion products. To remove the more tenacious corrosion products and films, the individual specimens shall then be subjected to additional cleaning treatments as follows:

10.1.7.1 *Iron and Steel*—Remove adherent deposits by means of a brass scraper or brass bristle brush, followed by scrubbing with a wet bristle brush and fine pumice to clean the specimen completely.

10.1.7.2 *Copper and Brass*—Dip in a 1 + 1 mixture of concentrated HCl (sp gr 1.19) and water for 15 s to remove tarnish films, rinse with tap water to remove acid, and scrub with a wet bristle brush and fine pumice powder. (**Warning**—HCl is a strong acid. Avoid contact with skin and eyes. Handle in a fume hood.)

10.1.7.3 *Aluminum*—In a fume hood, dip for 10 min in an aqueous solution containing 4 parts concentrated nitric acid (HNO₃, 70 mass %) plus one part distilled water at 25°C (76°F). Rinse thoroughly with water, then brush very lightly with a soft bristle brush to remove any loose films, and again rinse with water.¹⁰ Dry the specimen in a 100°C oven for 1 h, to a constant weight prior to recording the weight. (**Warning**—HNO₃ is a strong toxic oxidant and acid. Avoid contact with skin, eyes, and clothing. Do not breathe vapor. Handle in a fume hood.)

10.1.7.4 *Solder*—Immerse for 5 min in boiling 1 % glacial acetic acid. Rinse in water to remove the acid, and brush very gently with a soft bristle brush to remove any loosened material. (**Warning**—Avoid contact with skin and eyes with glacial acetic acid. Handle in a fume hood.)

10.1.8 The acid dip times given in 10.1.7 for the cleaning of nonferrous specimens are average values found to be adequate in most cases. Other times, suggested by experience, may be used if necessary, if gross weight losses are adjusted by the appropriate tare.

10.1.9 Follow each of the four operations noted above by thorough rinsing, first in tap water and then in acetone. Then dry and weigh the specimens to the nearest 1 mg. Store in a desiccator specimens that cannot be weighed immediately.

10.1.10 Because cleaning methods and materials may vary among laboratories, occasionally determine cleaning losses obtained by a particular operator on an untested set of triplicate metal specimens. Deduct the average cleaning losses from gross weight differences to determine actual corrosion losses.

11. Report

11.1 Report corrosion weight loss as a positive value and weight gain as a negative value. If no sign is given to the value it will be interpreted as a weight loss. *Example*: Initial weight of a brass specimen after cleaning was 405 mg. At the end of test after cleaning it was 398 mg. The cleaning blank was determined by taking the weight of a brass specimen after the initial cleaning, 406 mg, and then cleaning it alongside of the brass specimen removed at the end of the test, 404 mg. Using the equation below, calculate the weight change of the specimen.

$$\begin{aligned} &(\text{Initial weight} - \text{end of test weight}) - (\text{Cleaning} \\ &\text{blank} - \text{cleaning blank recleaned alongside of end of test} \\ &\text{specimen}) = \text{Final reported weight change} \\ &(405 \text{ mg} - 398 \text{ mg}) - (406 \text{ mg} - 404 \text{ mg}) = 5 \text{ mg} \\ &(\text{positive value means that it is a weight loss}) \end{aligned}$$

11.1.1 Report the corrected corrosion weight changes of individual specimens to the nearest 1 mg for each test.

11.2 Report the average corrected metal weight change for triplicate tests on each engine coolant solution. A single weight change that appears completely out of line should be dealt with as described in Practice E178.

12. Precision and Bias

12.1 As indicated in 1.1, this test method is intended only as a rough screening tool. Corrosion tests of this type are inherently lacking in precision and bias, and specific weight-change values for metal specimens cannot be interpreted closely. For information on significance of tests and interpretation of results, reference should be made to Appendix X1. A statistical analysis of the data in Appendix X1 is in progress.

13. Keywords

13.1 engine coolants; glassware corrosion test

¹⁰ A round-robin evaluation of nitric acid cleaning of aluminum specimens is available from ASTM Headquarters. Request RR:D15-1018.

ANNEX**(Mandatory Information)****A1. PROCEDURE FOR PREPARATION OR RECOATING OF SOLDER-COATED BRASS SPECIMENS****A1.1 Preparation**

A1.1.1 Shear 50.8 by 25.4-mm (2 by 1-in.) half hard brass specimen from 1.59-mm ($1/16$ -in.) sheet stock conforming to Alloy No. 8 of Specification **B36/B36M**, UNS C26000 (SAE CA 260).

A1.1.2 Drill a 6.9-mm (0.272-in.) diameter hole (letter “I”) drill in the center of each specimen.

A1.1.3 Smooth the edges and holes.

A1.1.4 Remove tarnish and other surface films by scrubbing the brass specimens with a bristle brush, fine pumice and water. Scrub using a bristle brush followed by a thorough water rinse. Dry specimens by immersing into acetone and air drying. Store in a desiccator until required.

A1.1.5 Immerse brass specimens to be coated by the Alloy Grade 30A solder in a 25 % aqueous solution of acid chloride flux. The composition of the flux is 40 % zinc chloride, 3 % ammonium chloride, 1.5 % hydrochloric acid, and 55.5 % water. A 25 % aqueous solution of low corrosive flux¹¹ may be substituted for the acid chloride flux.

A1.1.5.1 Use a suitable flux for other grades of solder. For example, a low corrosive flux¹¹ is preferred for Alloy Grade L50113⁸ (97 % lead - 2.5 % tin - 0.5 % silver).

A1.1.6 Mount the specimen on a 6-mm glass rod by placing one end of the rod through the center hole. The other end of the rod shall be slightly enlarged to no greater than 10 mm to prevent the specimen from slipping. (**Warning**—The use of a heavy glove is recommended at all times when handling glass rods.)

A1.1.7 Molten solder baths are maintained at different temperatures for each solder type. For Sn30A, dip the specimen sideways at an angle into the molten solder bath main-

tained at $343 \pm 5^\circ\text{C}$ ($649 \pm 9^\circ\text{F}$). The use of a steady stream of argon gas over the solder pot helps in the coating process. Remove any slag on the surface prior to coating. Solder will immediately freeze around the specimen. Move the specimen gently until the slush layer remelts. This takes about 5 to 10 s and should result in a smooth adherent layer. It takes some practice to develop a “feel” for the correct amount of time to immerse the specimen and the moment to remove it. An excessive immersion time will give reduced solder thickness.

A1.1.8 The composition of the solder bath will change with the number of specimens dipped and time. Prepare a new solder bath for each batch of specimens. If an old bath must be reused or solder added to a bath in use, confirm that the composition meets the grade specification before dipping.

A1.1.9 Withdraw the specimen from the bath, rapidly removing at an angle to the surface. Hold the specimen in a horizontal plane until the solder solidifies. The final coated specimen shall have a smoothed, uniform coating of solder over the complete brass specimen. Any specimen not conforming to this standard shall not be used. Recoat any specimens not satisfactorily coated, starting at **A1.1.5**.

A1.1.10 Remove the specimen from the dipping rod after cooling to room temperature.

A1.1.11 Redrill the center hole with a 6.7-mm (0.266-in.) diameter drill (H drill) and trim excess material from the specimen.

A1.1.12 Despite best efforts, differences in coating may arise that could have an affect on the solder corrosion rates. A performance based quality control procedure on each batch of coated specimens is recommended. Test Method D1384 with the ASTM reference coolant is one possible control procedure.

A1.2 Recoating

A1.2.1 Solder-coated brass specimens shall be used for only one corrosion test but may be reused by recoating, if they are first heated and then immediately processed in accordance with **A1.1.5 – A1.1.10**.

A1.2.2 Specimens coated with a particular solder alloy grade must be recoated only with the same alloy grade.

¹¹ The sole source of supply of the apparatus known to the committee at this time is Industrial Chemical Co. *Low-Corrosive Flux (Acid Bromide)*—a suitable flux, is available from Industrial Chemical Co., Detroit, MI, labeled No. REZ 55-F. Manufacturer’s dilution recommendations should be followed. If you are aware of alternative suppliers, please provide this information to ASTM International Headquarters. Your comments will receive careful consideration at a meeting of the responsible technical committee¹, which you may attend.

APPENDIXES**(Nonmandatory Information)****X1. NOTES ON SIGNIFICANCE AND INTERPRETATION OF THE CORROSION TEST IN GLASSWARE****X1.1 Historical Development**

X1.1.1 The corrosion test in glassware was developed through the cooperative efforts of engine coolant suppliers, automobile manufacturers, and other interested organizations. A number of different engine coolant tests in glassware were studied and evaluated first before proceeding with the development of a standard test method; it was found that the methods were quite similar. Although most laboratories recognized the limited significance of corrosion tests in beakers, it was felt that a simple, easily operated procedure would be of considerable value to the industry. After a series of evaluation tests to establish test parameters, a standard test method was adopted by Committee D15 in 1955.

X1.1.2 Modifications in the original test method were considered later, and evaluation tests were run between 1957 and 1960. Principal modifications were the use of a “synthetic” corrosive water, containing 100 ppm each of sulfate, chloride, and bicarbonate ion, to increase the severity of the test over that produced by distilled water, and a change in the arrangement of test specimens such that the “bundle” consisted of two insulated sections, each containing three different electrically coupled specimens, rather than a number of individual specimens. Although most potable waters in the United States do not contain these levels of impurities,¹² this particular test water gave the desired degree of severity. Other modifications included a means for correcting specimen weight changes for metal changes that occur as a result of the cleaning procedure, and an increase in the solution volume to compensate for raising the specimen bundle above the bottom of the beaker. These revisions were approved in 1961.

X1.1.3 The increase in automotive coolant operating temperatures led to consideration of additional revisions in the test method in 1967. Collaborative tests were run to compare results obtained at the original temperature of 71°C (160°F) with those obtained at the proposed temperature of 88°C (190°F). Members of the committee expressed an interest at the same time to increasing the solution volume from 165 mL to 750 mL. The results of these investigations led to general approval of the changes.

X1.1.4 In 1979 old and new glassware corrosion data from various studies were reviewed by members of Committee D15 and Committee E11 on Statistical Methods for the purpose of considering changes in the precision statement of this test method. The limitations of this screening test were reaffirmed and no changes in the precision statement were recommended.

X1.2 Significance

X1.2.1 Users of the corrosion test in glassware should understand thoroughly its purpose and limitations. The opening paragraphs of the test method state clearly that this is a screening procedure for evaluating the effects of antifreeze solutions on metal specimens under controlled laboratory conditions. The test method is generally capable of distinguishing between coolants that are definitely deficient from the corrosion standpoint and those that are worthy of further evaluation. Results from this test are not sufficient evidence of satisfactory corrosion inhibition because service conditions cannot be simulated adequately.

X1.2.2 Because of the simplicity of the test, it is only expected to evaluate corrosion inhibition and not other important properties of an engine coolant such as foaming, rust loosening, heat transfer, dye stability, and noncorrosive service life. In more complex test methods using simulated service units or engine dynamometers, it is possible to combine the determination of several basic properties into one procedure. However, only in vehicle tests can the coolant product be subjected to the actual conditions encountered in service.

X1.2.3 Members of this committee have always agreed that a three-phase program is necessary to determine the suitability of a coolant for actual service. This would include screening in glassware tests, testing in engine dynamometers or laboratory equipment capable of service simulation, and evaluation in cars on the highway. Thus, the corrosion test in glassware is considered to be only the first step in the evaluation of a coolant.

X1.2.4 The corrosion test in glassware is not intended to evaluate inhibitor life, but only the corrosion inhibition qualities of new, unused products. Tests on used solutions that have been drained from cooling systems have little significance because of service contamination effects and the fact that important inhibitor constituents may remain behind on the metal surfaces of the cooling system.

X1.3 Interpretation of Results

X1.3.1 Duplicate runs of laboratory corrosion tests may give widely different results because of the difficulty in controlling test variables as well as variations in specimen composition, grain structure, and surface finish. It is for this reason that tests should be run in triplicate, and the results from each metal should be averaged to obtain a significant value. Two tables are presented to indicate the repeatability and reproducibility of results obtained by this procedure. These results are taken from the data obtained by the study group that ran the cooperative tests. Two coolants with different inhibitive qualities were used.

X1.3.2 **Table X1.1** shows the repeatability of results that may be expected among triplicate test runs by the same

¹² The Geological Survey Water-Supply Paper No. 1299 (1952) shows that only 1.2 % of the major population areas covered in the survey are supplied with water containing more than 100 ppm each of bicarbonate and chloride.

TABLE X1.1 Repeatability Data from Individual Tests by One Laboratory

Engine Coolant	Test Number	Weight Changes per Specimen, mg ^A					
		Copper	Solder	Brass	Steel	Cast Iron	Aluminum
A	1	12	3	3	1	1	111
	2	8	1	3	1	0	104
	3	7	1	2	4	0	115
B	1	5	0	16	6	4	5
	2	6	1	15	2	6	2
	3	5	2	14	4	2	2

^AThe changes are weight losses except plus sign shows weight gain.

TABLE X1.2 Reproducibility Data from Six Different Laboratories on the Same Formulas

Engine Coolant	Laboratory	Average Weight Changes per Specimen, mg ^A					
		Copper	Solder	Brass	Steel	Cast Iron	Aluminum
A	1	11	5	5	3	4	146
	2	4	4	3	2	7	112
	3	9	1	3	2	0	110
	4	5	5	4	1	0	92
	5	17	2	2	+1	0	155
	6	3	1	2	0	0	114
B	1	8	5	13	3	6	26
	2	6	2	13	4	11	4
	3	5	1	15	4	4	3
	4	3	2	12	2	0	2
	5	7	2	14	2	+1	12
	6	3	1	18	4	5	14

^AThe changes are weight losses except plus sign shows weight gain.

laboratory. Repeatability tends to be good, particularly when weight changes are low, although it is not unusual for the highest weight change of a given metal to exceed the lowest by a factor of two or more. If such differences can occur among identical runs on the same product, it is apparent that variations between two different coolants must be of a greater magnitude to be significant. Even then, actual performance in an engine cannot be predicted with certainty. The interpretation that can be given to absolute values varies with the metal. For example, a large difference in copper or brass weight changes is likely to have more significance than the same difference between ferrous metal weight changes.

X1.3.3 **Table X1.2** shows the reproducibility that may be expected among laboratories. Data are presented again for two different formulations. The results show that reproducibility is poorer than repeatability. One laboratory may find the weight change for a particular metal to be ten times greater than that found in another laboratory. However, with some exceptions, most laboratories show general agreement on those metals that are not being inhibited satisfactorily.

X1.4 Summary

X1.4.1 Users of the procedure are encouraged to run tests on products of known performance to familiarize themselves with the procedure and to observe the variations in results that can be obtained from coolants with different inhibitive qualities. Although many limitations to the test method have been presented, the corrosion test in glassware will serve a useful purpose to the industry if users have a thorough understanding of its function in the over-all evaluation of engine coolants. The test method will be particularly valuable to research and development workers in screening out ineffective corrosion inhibitors and in indicating those formulations which should be evaluated further. It should also prove useful to consumer and qualification laboratories as an indication of coolants that are unsuitable or definitely deleterious from the corrosion standpoint, even though good results cannot be considered conclusive evidence of satisfactory performance in service.

(Nonmandatory Information)

X2. PLANNED INTERVAL CORROSION TEST

X2.1 Significant additional information on the corrosion response of all metals in the D1384 tests can be obtained by application of a planned interval corrosion test outlined in Table 1 of Practice **G31**. All other requirements of the D1384 test specimens shall apply to the additional coupons.

X2.2 These tests will identify liquid and metal corrosiveness as it progresses, being unchanged, increased or decreased over time of the exposed period.

X2.3 Tests must be performed simultaneously with the standard D1384 tests in similar equipment to avoid interferences with the standard test requirements and yet provide

supportive and additional data for the evaluation of coolants. Four test bundles are required to accomplish the Practice **G31** Table 1 evaluation.

X2.4 This test is particularly useful in the efficient examination of new additives, different levels of additives, for solving problems encountered with coolant subjected to the standard test procedure only, and for more fully evaluating comparative performance of coolants.

X2.5 These tests are not intended to supplant the accept-reject criteria of the current D1384 method.

REFERENCES

- (1) Hannigan, H. J., “Coolant Performance at Higher Temperatures,” Preprint 680497, Society of Automotive Engineers Meeting, presented at Detroit, MI, May 20–24, 1968.
- (2) Rowe, L. C., “Testing Automotive Engine Coolants for Corrosion Inhibition,” *Handbook on Corrosion Testing and Evaluation*, Edited by W. Ailor, Wiley and Sons, Inc., New York, NY, 1971, p. 625.
- (3) Beynon, E., Cooper, N., and Hannigan, H., “Automotive Antifreeze Coolants,” *Soap and Chemical Specialties*, Vol 47, No. 2, 1971, p. 44.
- (4) Rowe, L. C., “Application of Inhibitors in Automobiles and Their Environment,” *Corrosion Inhibitors*, edited by C. Nathan, National Association of Corrosion Engineers, Houston, TX, 1973, p. 173.
- (5) *Selection and Use of Engine Coolants and Cooling System Chemicals*, UNL6, 4th edition, ASTM, Philadelphia, PA, 1989.
- (6) Payerle, N. E., “Engine Coolant Performance in Late Model Passenger Cars,” Reprint 760631, Society of Automotive Engineers Meeting, presented at Atlanta, GA, March 1, 1976.
- (7) “Engine Coolants,” *SAE Information Report J814C*, Society of Automotive Engineers, Warrendale, PA, revised October 1978.
- (8) *Engine Coolant Testing: State of the Art, ASTM STP 705*, edited by W. Ailor, ASTM, Philadelphia, PA, 1980.

ASTM International takes no position respecting the validity of any patent rights asserted in connection with any item mentioned in this standard. Users of this standard are expressly advised that determination of the validity of any such patent rights, and the risk of infringement of such rights, are entirely their own responsibility.

This standard is subject to revision at any time by the responsible technical committee and must be reviewed every five years and if not revised, either reapproved or withdrawn. Your comments are invited either for revision of this standard or for additional standards and should be addressed to ASTM International Headquarters. Your comments will receive careful consideration at a meeting of the responsible technical committee, which you may attend. If you feel that your comments have not received a fair hearing you should make your views known to the ASTM Committee on Standards, at the address shown below.

This standard is copyrighted by ASTM International, 100 Barr Harbor Drive, PO Box C700, West Conshohocken, PA 19428-2959, United States. Individual reprints (single or multiple copies) of this standard may be obtained by contacting ASTM at the above address or at 610-832-9585 (phone), 610-832-9555 (fax), or service@astm.org (e-mail); or through the ASTM website (www.astm.org). Permission rights to photocopy the standard may also be secured from the Copyright Clearance Center, 222 Rosewood Drive, Danvers, MA 01923, Tel: (978) 646-2600; <http://www.copyright.com/>