



Standard Test Method for Smoke Point of Kerosine and Aviation Turbine Fuel¹

This standard is issued under the fixed designation D1322; the number immediately following the designation indicates the year of original adoption or, in the case of revision, the year of last revision. A number in parentheses indicates the year of last reapproval. A superscript epsilon (ϵ) indicates an editorial change since the last revision or reapproval.

This standard has been approved for use by agencies of the U.S. Department of Defense.

^ε¹ NOTE—Subsection 13.2 was corrected editorially in August 2015.

1. Scope*

1.1 This test method covers two procedures for determination of the smoke point of kerosine and aviation turbine fuel, a manual procedure and an automated procedure, which give results with different precision.

1.2 An interlaboratory study was conducted in 2012 (see ASTM RR:D02-1747 for supporting data) involving 11 manual laboratories and 13 automated laboratories, with 15 samples tested in blind duplicate. The automated procedure demonstrated objective rating and superior control and should be considered the preferred approach.

1.3 The values stated in SI units are to be regarded as standard. No other units of measurement are included in this standard.

1.4 *This standard does not purport to address all of the safety concerns, if any, associated with its use. It is the responsibility of the user of this standard to establish appropriate safety and health practices and determine the applicability of regulatory limitations prior to use.*

2. Referenced Documents

2.1 ASTM Standards:²

[D4057 Practice for Manual Sampling of Petroleum and Petroleum Products](#)

[D6299 Practice for Applying Statistical Quality Assurance and Control Charting Techniques to Evaluate Analytical Measurement System Performance](#)

¹ This test method is under the jurisdiction of ASTM Committee D02 on Petroleum Products, Liquid Fuels, and Lubricants and is the direct responsibility of Subcommittee D02.J0.03 on Combustion and Thermal Properties.

Current edition approved April 1, 2015. Published June 2015. Originally approved in 1954. Last previous edition approved in 2014 as D1322 – 14a. DOI: 10.1520/D1322-15E01.

² For referenced ASTM standards, visit the ASTM website, www.astm.org, or contact ASTM Customer Service at service@astm.org. For *Annual Book of ASTM Standards* volume information, refer to the standard's Document Summary page on the ASTM website.

2.2 Energy Institute Standard:³

[IP 367 Petroleum products - Determination and application of precision data in relation to methods of test](#)

[IP 598 Petroleum products - Determination of the smoke point of kerosine, manual and automated method](#)

NOTE 1—Only IP 598 published in 2012 by the Institute of Petroleum (now Energy Institute) is equivalent to D1322; IP 57 is not equivalent.

3. Terminology

3.1 Definitions:

3.1.1 *aviation turbine fuel, n*—refined petroleum distillate, generally used as a fuel for aviation gas turbines.

3.1.1.1 *Discussion*—Different grades are characterized by volatility ranges, freeze point, and by flash point.

3.1.2 *kerosine, n*—refined petroleum distillate, boiling between 140 and 300°C, generally used in lighting and heating applications.

3.1.2.1 *Discussion*—Different grades are characterized by volatility ranges and sulfur content.

3.2 Definitions of Terms Specific to This Standard:

3.2.1 *smoke point, n*—the maximum height, in millimetres, of a smokeless flame of fuel burned in a wick-fed lamp of specified design.

4. Summary of Test Method

4.1 The sample is burned in an enclosed wick-fed lamp that is calibrated against pure hydrocarbon blends of known smoke point. The maximum height of flame that can be achieved with the test fuel without smoking is determined to the nearest 0.5 mm with the manual apparatus and to the nearest 0.1 mm with the automated apparatus.

5. Significance and Use

5.1 This test method provides an indication of the relative smoke producing properties of kerosines and aviation turbine

³ Available from Energy Institute, 61 New Cavendish St., London, WIG 7AR, U.K., <http://www.energyinst.org.uk>.

*A Summary of Changes section appears at the end of this standard

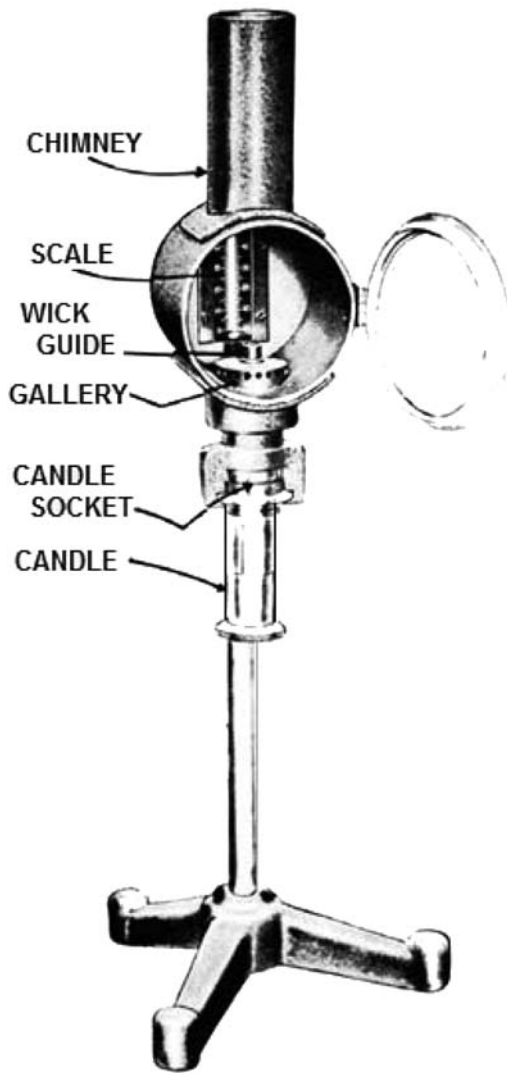


FIG. 1 Smoke Point Lamp (Manual)

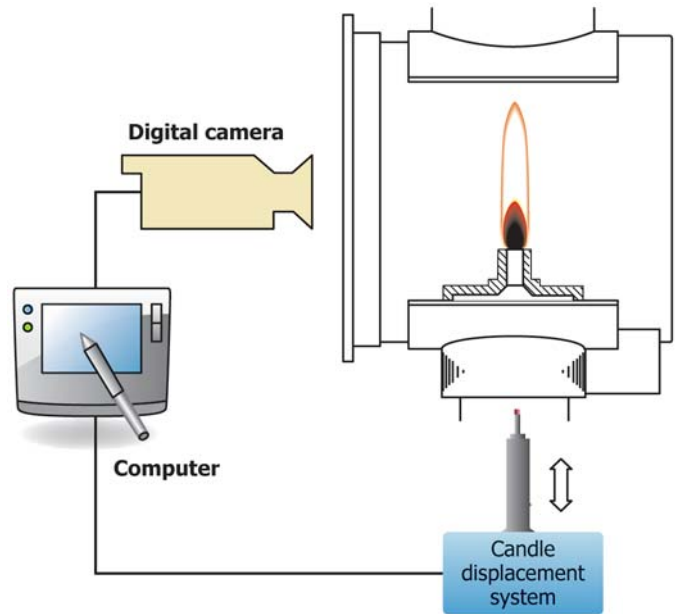


FIG. 2 Smoke Point Principle (Automated)

6.2 *Smoke Point Lamp (Automated)*⁴, in addition to the basic components described in Annex A1, as shown in Fig. 2, automated units also shall be equipped with a digital camera connected to a computer to analyze and record the height of the flame, a candle displacement system to adjust the height of the flame, and a barometric pressure acquisition system associated to a calibration database to select the right calibration value for the automatic calculation of the correction factor defined in 10.1.2.

6.2.1 The digital camera associated to its dedicated software shall have a minimum resolution of 0.05 mm for the flame height measurement.

6.2.2 Due to the vastly superior resolution of the digital camera compared to the human eye, smoke point shall be measured by the automated unit when available. In case of dispute between results from manual and automated methods, the referee shall be considered the automated method.

6.3 *Barometer*—With accuracy of ± 0.5 kPa.

6.4 *Wick*, of woven solid circular cotton of ordinary quality, having the following characteristics:

Casing	17 ends, 66 tex by 3
Filling	9 ends, 100 tex by 4
Weft	40 tex by 2
Picks	6 per centimetre

6.5 *Pipettes or Burettes*, Class A.

⁴ The sole source of supply of the automated apparatus known to the committee at this time is AD systems (www.adsystems-sa.com), model SP 10 – Smoke Point, available from AD systems, Allée de Cindais, P.A. Portes de la Suisse Normande, 14320 Saint-André-sur-Orne, France. If you are aware of alternative suppliers, please provide this information to ASTM International Headquarters. Your comments will receive careful consideration at a meeting of the responsible technical committee,¹ which you may attend.

fuels in a diffusion flame. The smoke point is related to the hydrocarbon type composition of such fuels. Generally the more aromatic the fuel the smokier the flame. A high smoke point indicates a fuel of low smoke producing tendency.

5.2 The smoke point is quantitatively related to the potential radiant heat transfer from the combustion products of the fuel. Because radiant heat transfer exerts a strong influence on the metal temperature of combustor liners and other hot section parts of gas turbines, the smoke point provides a basis for correlation of fuel characteristics with the life of these components.

6. Apparatus

6.1 *Smoke Point Lamp (Manual)*, as shown in Fig. 1 and described in detail in Annex A1.

TABLE 1 Reference Fuel Blends

Standard Smoke Point at 101.3 kPa	Toluene	2,2,4-trimethylpentane
mm	% (V/V)	% (V/V)
14.7	40	60
20.2	25	75
22.7	20	80
25.8	15	85
30.2	10	90
35.4	5	95
42.8	0	100

7. Reagents and Materials

7.1 *Toluene*, ASTM Reference Fuel grade. (**Warning**—Flammable, vapor harmful. (See Annex A2.1.))

7.2 *2,2,4-trimethylpentane (isooctane)*, minimum purity 99.75 mass %. (**Warning**—Flammable, vapor harmful. (See Annex A2.2.))

7.3 *Methanol (methyl alcohol)*, anhydrous. (**Warning**—Flammable, vapor harmful. (See Annex A2.3.))

7.4 *Reference Fuel Blends*, appropriate to the fuels under test, prepared accurately from toluene and 2,2,4-trimethylpentane, in accordance with the compositions given in Table 1, by means of calibrated burettes or pipettes, with a precision of $\pm 0.2\%$ or better.

7.5 *Heptane*, minimum purity 99 mass %. (**Warning**—Extremely flammable, vapor harmful if inhaled. (See Annex A2.4.))

8. Sampling and Preparation of Samples

8.1 It is recommended samples shall be taken by the procedures described in Practice D4057. Use the sample as received. Allow all samples to come to ambient temperature ($20 \pm 5^\circ\text{C}$), without artificial heating. If the sample is hazy or appears to contain foreign material, filter through qualitative filter paper.

9. Preparation of Apparatus

Manual Apparatus

9.1 Place the lamp in a vertical position in a room where it can be completely protected from drafts. Carefully inspect each new lamp to ensure that the air holes in the gallery and the air inlets to the candle holder are all clean, unrestricted, and of proper size. The gallery shall be so located that the air holes are completely unobstructed.

NOTE 2—Slight variations in these items all have a marked effect on the precision of the result obtained.

9.1.1 If the room is not completely draft-free, place the lamp in a vertical position in a box constructed of heat-resistant material (not containing asbestos), open at the front. The top of the box shall be at least 150 mm above the top of the chimney and the inside of the box painted dull black.

Automated Apparatus

9.2 Prepare the apparatus according to the manufacturer's instructions.

9.3 Extract all wicks, either new or from a previous determination, for at least 25 cycles in an extractor, using a mixture of equal volumes of toluene and anhydrous methanol. Allow the wicks to dry partially in a hood before placing in the oven, or use a forced-draft and explosion-proof oven for drying wicks, or both. Dry for 30 min at 100 to 110°C, and store in a desiccator until used.

9.3.1 Extracted wicks are commercially available and may be used, provided that they have been certified as being extracted by the procedure outlined in 9.3. Store purchased extracted wicks in a desiccator over desiccant until use. After use, extract these wicks as in 9.3 before using again.

10. Calibration of Apparatus

Manual Apparatus

10.1 Confirm calibration of the apparatus in accordance with 10.1.3 or calibrate, if needed, in accordance with 10.1.1 prior to first use of the day. Recalibrate when there has been a change in the apparatus or operator, or when a change of more than 0.7 kPa occurs in the barometric pressure reading.

10.1.1 Calibrate the apparatus by testing two of the reference fuel blends specified in 7.4, using the procedure specified in Section 11 and, if possible, bracketing the smoke point of the sample. If this is not possible, use the two test blends having their smoke points nearest to the smoke point of the sample.

10.1.2 Determine the correction factor, f , for the apparatus from the equation:

$$f = \frac{(A s / A d) + (B s / B d)}{2} \quad (1)$$

where:

A_s = the standard smoke point of the first reference fuel blend,

A_d = the smoke point determined for the first reference fuel blend,

B_s = the standard smoke point of the second reference fuel blend, and

B_d = the smoke point determined for the second reference fuel blend.

If the smoke point determined for the test fuel exactly matches the smoke point determined for a reference fuel blend, use as the second bracketing reference fuel the reference fuel blend with the next higher smoke point, if there is one. Otherwise, use the one with the next closest smoke point.

10.1.3 An alternative approach to confirm calibration of the apparatus is for each operator to run a control sample each day the apparatus is in use. Record the results and compare the average from the database of the control sample using control charts or equivalent statistical techniques. If the difference exceeds the control limits or when new apparatus is used, then the apparatus must be recalibrated.

Automated Apparatus

10.2 The apparatus shall have a calibration database for the storage of the reference fuel blends values specified in Table 1. Each calibration test performed with the reference fuel blends

shall be stored in this database in addition with the barometric pressure observed at the moment the calibration was performed.

10.2.1 The apparatus shall have the capability to automatically calculate the correction factor f according to Eq 1 by automatically selecting in its calibration database the reference fuel blends values specified in Table 1, using the procedure specified in Section 11 and the calculation specified in Section 12 and, if possible, bracketing the smoke point of the sample. If this is not possible, it shall use the two test blend results having their smoke points nearest to the smoke point of the sample.

NOTE 3—The digital camera and the associated software replace the operator eyes for the observation of the flame. Consequently it is not necessary to recalibrate the apparatus when there has been a change in the operator.

10.2.2 Record the barometric pressure and check in the calibration database that the instrument has been calibrated at that recorded pressure ± 0.7 kPa. If no calibration values exist for the seven blends specified in Table 1 at the pressure observed ± 0.7 kPa, calibrate the apparatus in accordance with 10.2.3. If calibration values exist for the seven blends specified in Table 1, in other words, if the instrument has been already calibrated at the pressure observed, check the apparatus in accordance with 10.2.4.

NOTE 4—Because the automated apparatus stores the smoke points obtained with the reference fuels at different barometric pressures, it is not necessary to recalibrate the apparatus when a change of more than 0.7 kPa occurs in the barometric pressure reading. Depending on the barometric pressure entered at the test initiation, the apparatus will automatically use the correct stored values obtained with the fuel blends. If the correct values are not yet stored, the apparatus will prompt the operator in order to perform the calibration at the pressure observed.

10.2.3 Calibrate the apparatus by testing the seven reference fuel blends specified in 7.4, using the procedure specified in Section 11.

10.2.4 At regular intervals of not more than seven days or when there has been a change in the apparatus, verify that the apparatus is performing properly by using a quality control (QC) sample that is representative of the fuel(s) routinely tested by the laboratory to confirm that the apparatus is in statistical control following the guidelines given in Practice D6299. If the difference exceeds the control limits, recalibrate the apparatus.

11. Procedure

11.1 Soak a piece of extracted and dried wick, not less than 125 mm long, in the sample and place it in the wick tube of the candle (Fig. 3). Carefully ease out any twists arising from this operation. In cases of dispute, or of referee tests, always use a new wick, prepared in the manner specified in 9.3.

11.1.1 It is advisable to resoak the burning-end of the wick in the sample after the wick is inserted in the wick tube.

11.2 Introduce as near to 20 mL of the prepared sample as available, but not less than 10 mL, at room temperature, into the clean, dry candle.

11.3 Place the wick tube in the candle and screw home. Take care that the candle air vent is free from fuel. If a wick-trimmer

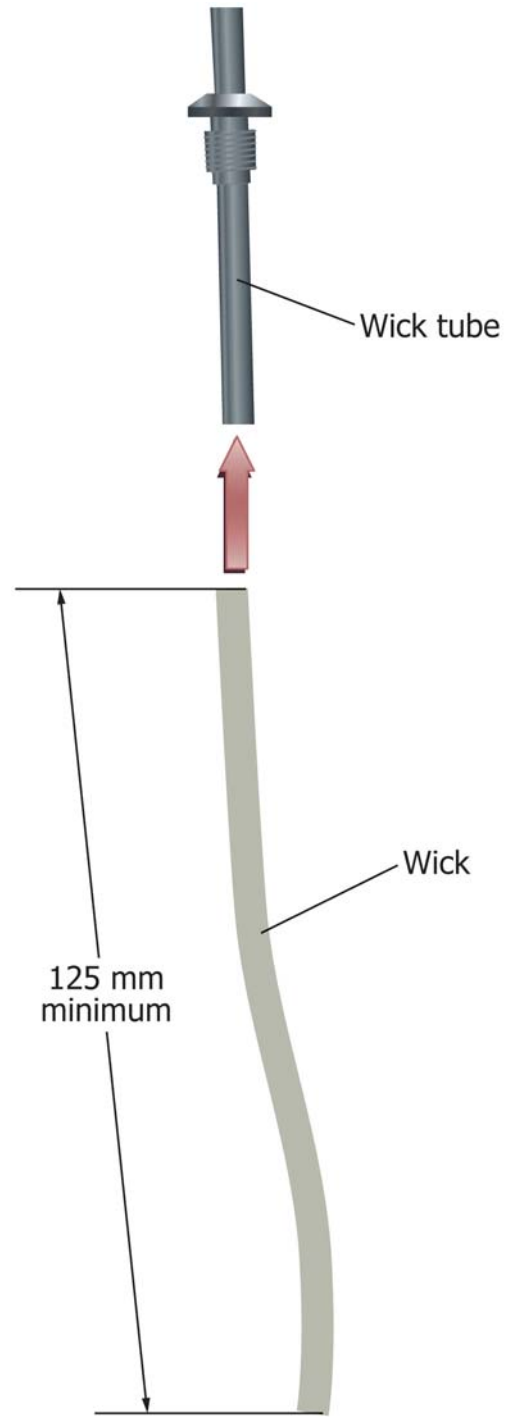


FIG. 3 Wick Tube

assembly is not being used, cut the wick horizontally and trim it free of frayed ends so that 6 mm projects from the end of the candle. Use a clean razor blade or other sharp instrument.

11.3.1 Some razor blades have a protective coating; in such cases, remove the coating with a solvent before using the blade.

11.3.2 An alternative method of preparing a wick free of twists and frayed ends utilizes a wick-trimmer assembly (Fig. 4). The wick-trimmer holder is inserted over the top of the wick tube (Fig. 5—Step 1) and the long-nosed triceps are inserted through the tube and holder (Fig. 5—Step 2). The wick is



FIG. 4 Wick Trimmer Assembly

grasped (Fig. 5—Step 3) and carefully pulled through the tube without twisting (Fig. 5—Step 4). The tube is then inserted into the candle and screwed home (Fig. 5—Step 5). A new, clean, sharp razor is used to cut the wick at the face of the holder and remove wisps and frayed ends (Fig. 5—Step 6). When the holder is removed, the wick will be at the correct height in the tube (Fig. 5—Step 7).

Manual Apparatus

11.4 Insert the candle into the lamp.

11.5 Light the candle and adjust the wick so that the flame is approximately 10 mm high and allow the lamp to burn for 5 min. (See Fig. 6 and Fig. 7.) Raise the candle until a smoky tail appears, then lower the candle slowly through the following stages of flame appearance:

11.5.1 A long tip; smoke slightly visible; erratic and jumpy flame.

11.5.2 An elongated, pointed tip with the sides of the tip appearing concave upward as shown in Fig. 6 (Flame A).

11.5.3 The pointed tip just disappears, leaving a very slightly blunted flame as shown in Fig. 6 (Flame B). Jagged, erratic, luminous flames are sometimes observed near the true flame tip; these shall be disregarded.

11.5.4 A well rounded tip as shown in Fig. 6 (Flame C). Determine the height of Flame B to the nearest 0.5 mm. Record the height observed.

11.5.4.1 To eliminate errors due to parallax, the eye of the observer shall be slightly to one side of the centerline, so that a reflected image of the flame is seen on the scale on one side of the central vertical white line, and the flame itself is seen against the other side of the scale. The reading for both observations shall be identical.

11.5.5 Make three separate observations of the flame height at the smoke point by repeating the flame-appearance sequence specified in 11.5. If these values vary over a range greater than 1.0 mm, repeat the test with a fresh sample and another wick.

11.5.6 Remove the candle from the lamp, rinse with heptane, and purge with air to make ready for reuse.

Automated Apparatus

11.6 Position the candle on the conveyor of the analyzer as shown on Fig. 8, Steps 1, 2 and 3.

11.6.1 Key in all sample details, enter the current barometric pressure and initiate the test. For more details, refer to the instruction manual of the apparatus manufacturer.

11.6.2 The candle is automatically introduced in the lamp and lit.

11.6.3 The candle level is automatically adjusted so that the flame is approximately 10 mm high and the lamp burns for 5 min.

11.6.4 After the 5 min stabilization time, the candle is automatically raised until a smoky tail appears, then it is lowered slowly. The apparatus software analyses flame images taken by the digital camera. It automatically detects the flame shape corresponding to Flame B according to 11.5.3. It determines the height of Flame B to the nearest 0.1 mm. The apparatus records the height observed. The candle conveyor lowers the candle, the flame is automatically extinguished, and the conveyor comes back to its rest position.

NOTE 5—Due to the flame height resolution of the digital camera, the flame height is recorded to the nearest 0.1 mm.

11.6.5 The apparatus makes three separate observations of the flame height at the smoke point by repeating the flame-appearance sequence specified in 11.5. If these values vary over a range greater than 1.0 mm, the apparatus shall warn the operator. The test is repeated with a fresh sample and another wick.

11.6.6 Remove the candle from the conveyor, rinse with heptane, and purge with air to make ready for reuse.

12. Calculation

12.1 *Manual Apparatus*—Calculate the smoke point, to the nearest 0.1 mm, from the equation:

$$\text{Smoke point} = L \times f \quad (2)$$

where:

L = the average of three individual readings, and

f = the correction factor (see 10.1.2).

12.2 *Automated Apparatus*—The smoke point is automatically calculated by the apparatus according to 12.1.

13. Report

13.1 *Manual Apparatus*—Report the result, rounded to the nearest 0.1 mm, as the smoke point of the sample obtained by the manual procedure, and reference this Test Method D1322, manual procedure.

13.2 *Automated Apparatus*—Report the result from the apparatus to the nearest 0.1 mm as the smoke point of the sample obtained by the automated procedure, and reference this Test Method D1322, automated procedure.

14. Precision and Bias⁵

Manual Apparatus (see Table 2 and Fig. 9)

14.1 *Repeatability, r*—The difference between successive test results obtained by the same operator with the same

⁵ Supporting data have been filed at ASTM International Headquarters and may be obtained by requesting Research Report RR:D02-1178.

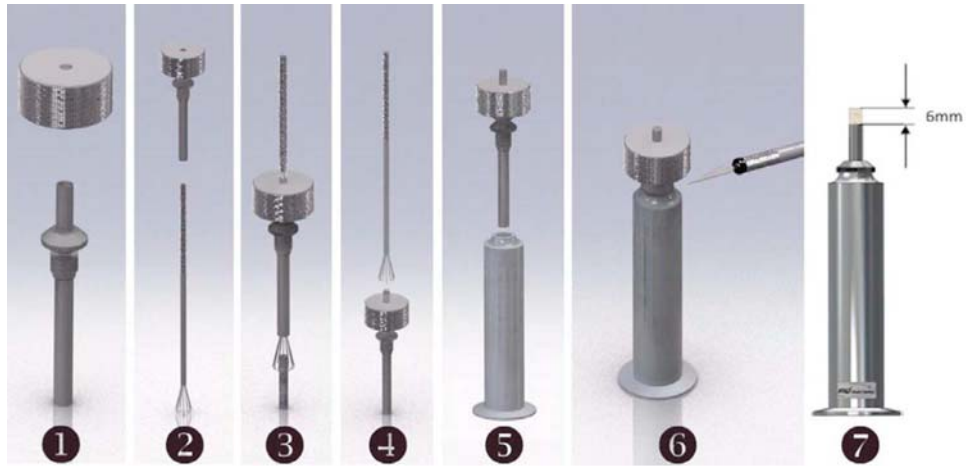


FIG. 5 Wick Positioning Steps

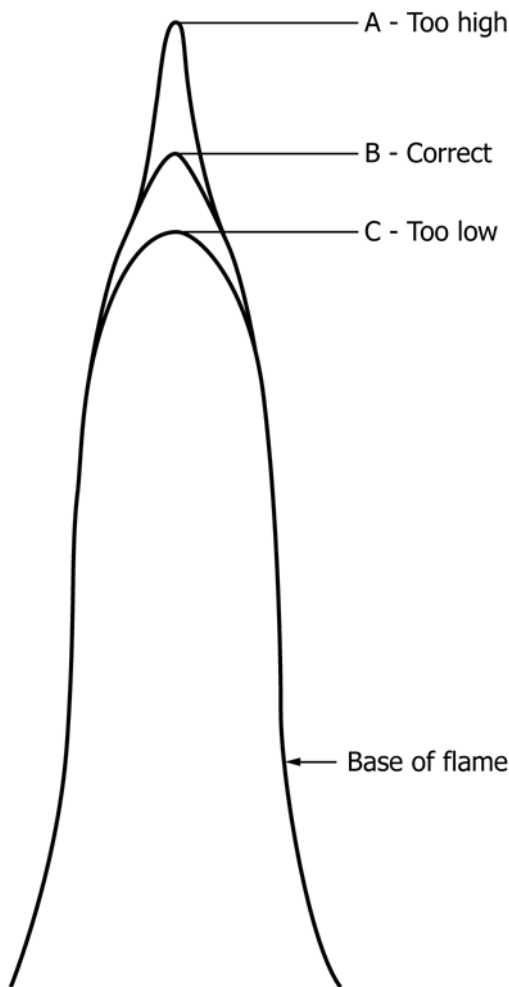


FIG. 6 Typical Flame Appearances

where:

r = repeatability, and
 x = smoke point, in millimetres.

14.2 *Reproducibility, R*—The difference between two single and independent results obtained by different operators working in different laboratories on nominally identical test material would, in the long run, in the normal and correct operation of the test method, exceed the following value in only one case in 20:

$$R = 0.09363(x + 16)$$

where:

R = reproducibility, and
 x = smoke point, in millimetres.

Automated Apparatus (see Table 2 and Fig. 9)

14.3 *Repeatability, r*—The difference between successive test results obtained by the same operator with the same apparatus under constant operating conditions on identical material would, in the long run, in the normal and correct operation of the test method, exceed the following value in only one case in 20:

$$r = 0.02231x$$

where:

r = repeatability, and
 x = smoke point, in millimetres.

14.4 *Reproducibility, R*—The difference between two single and independent results obtained by different operators working in different laboratories on nominally identical test material would, in the long run, in the normal and correct operation of the test method, exceed the following value in only one case in 20:

$$R = 0.01651(x + 30)$$

where:

R = Reproducibility, and
 x = smoke point, in millimetres.

NOTE 6—Precision values were determined by a joint EI/ASTM

apparatus under constant operating conditions on identical material would, in the long run, in the normal and correct operation of the test method, exceed the following value in only one case in 20:

$$r = 0.06840(x + 16)$$

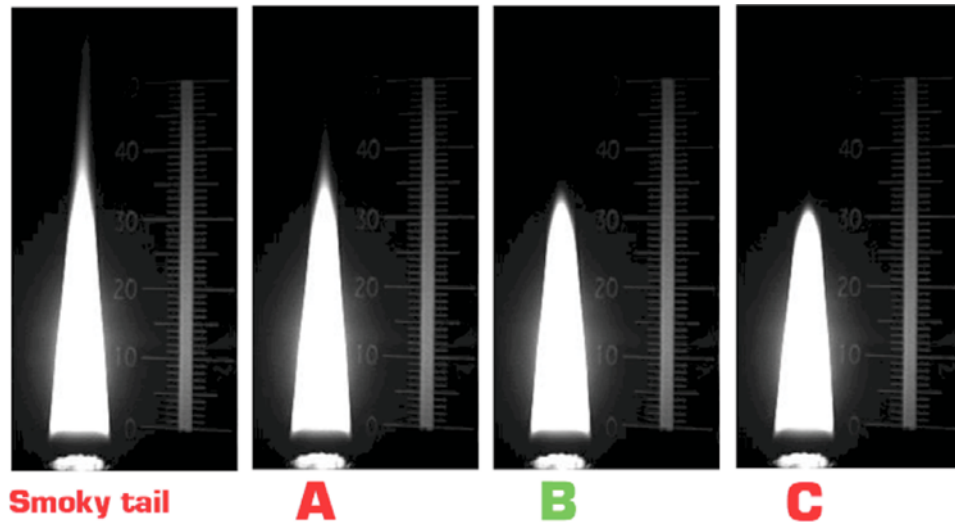


FIG. 7 Examples of Typical Flame Appearances



FIG. 8 Candle Positioning with Automated Apparatus

TABLE 2 Typical Precision Values

NOTE 1—r = repeatability; R = reproducibility

Mean Result	Manual Procedure		Automated Procedure	
	r	R	r	R
15	2.12	2.90	0.33	0.74
20	2.46	3.37	0.45	0.83
25	2.80	3.84	0.56	0.91
30	3.15	4.31	0.67	0.99
35	3.49	4.78	0.78	1.07
40	3.83	5.24	0.89	1.16
42	3.97	5.43	0.94	1.19

program in 2012,⁶ with 11 manual labs, 13 automated labs and 15 different samples tested in blind duplicates. The results were evaluated for precision according to the statistical procedures given in IP 367 as implemented in ASTM D02 computer program D2PP.

14.5 Bias:

⁶ Supporting data have been filed at ASTM International Headquarters and may be obtained by requesting Research Report RR:D02-1747.

14.5.1 The procedure in Test Method D1322 for measuring the smoke point of kerosines and aviation turbine fuels has no bias because the value of the smoke point can only be defined in terms of a test method.

14.5.2 A relative bias exists between the manual and the automated procedures. The bias takes the form of an approximately uniform ratio, applicable over the whole range of results. The corresponding bias relationship is:

$$(A + 16) = (M + 16)/1.016 \quad (3)$$

where:

- M = manual results, and
- A = automated results.

14.5.3 Results using the automated instrument shall be reported without correction for bias.

15. Keywords

15.1 aviation turbine fuel; combustion properties; jet fuel; kerosine; radiant heat; smoke point

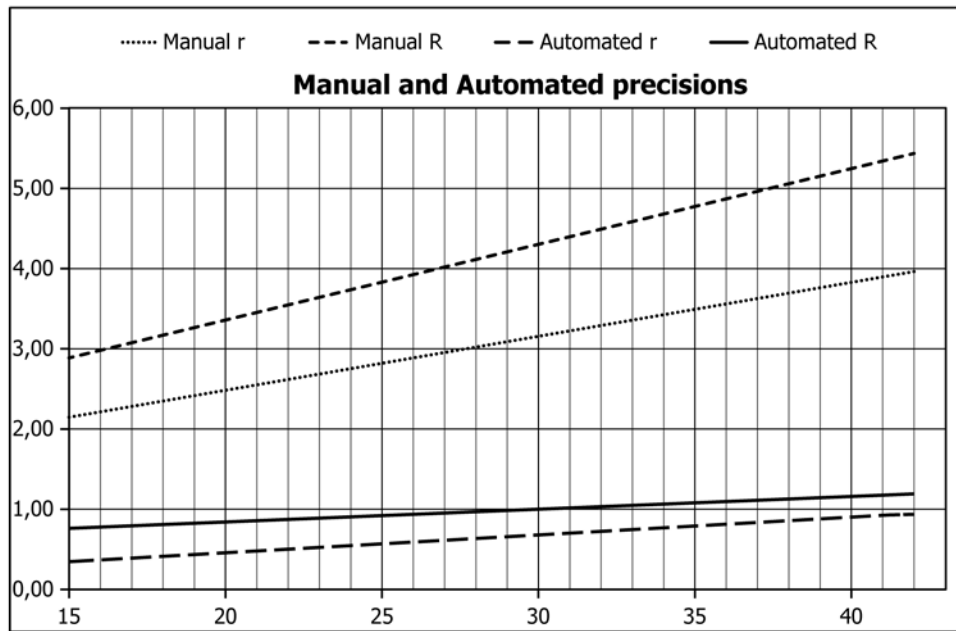


FIG. 9 Graphical Representation of the Precisions

ANNEXES

(Mandatory Information)

A1. APPARATUS

A1.1 *Smoke Point Lamp*, as shown in Fig. 1, complying with the dimensional requirements given in Table A1.1 and as shown in Fig. A1.1 and Fig. A1.2. The following essential requirements shall be met:

NOTE A1.1—A medium-density cobalt glass may be used to reduce eye fatigue when viewing the flame.

A1.1.1 The top of the wick guide shall be exactly level with the zero mark on the scale.

A1.1.2 The scale shall be marked in white lines on black glass on each side of a white or black strip 2 mm in width. It

shall have a range of 50 mm graduated in 1 mm intervals, figured at each 10 mm and with longer lines at each 5 mm.

A1.1.3 An efficient device for raising or lowering the flame shall be provided. The total distance of travel shall be not less than 10 mm and the movement shall be smooth and regular.

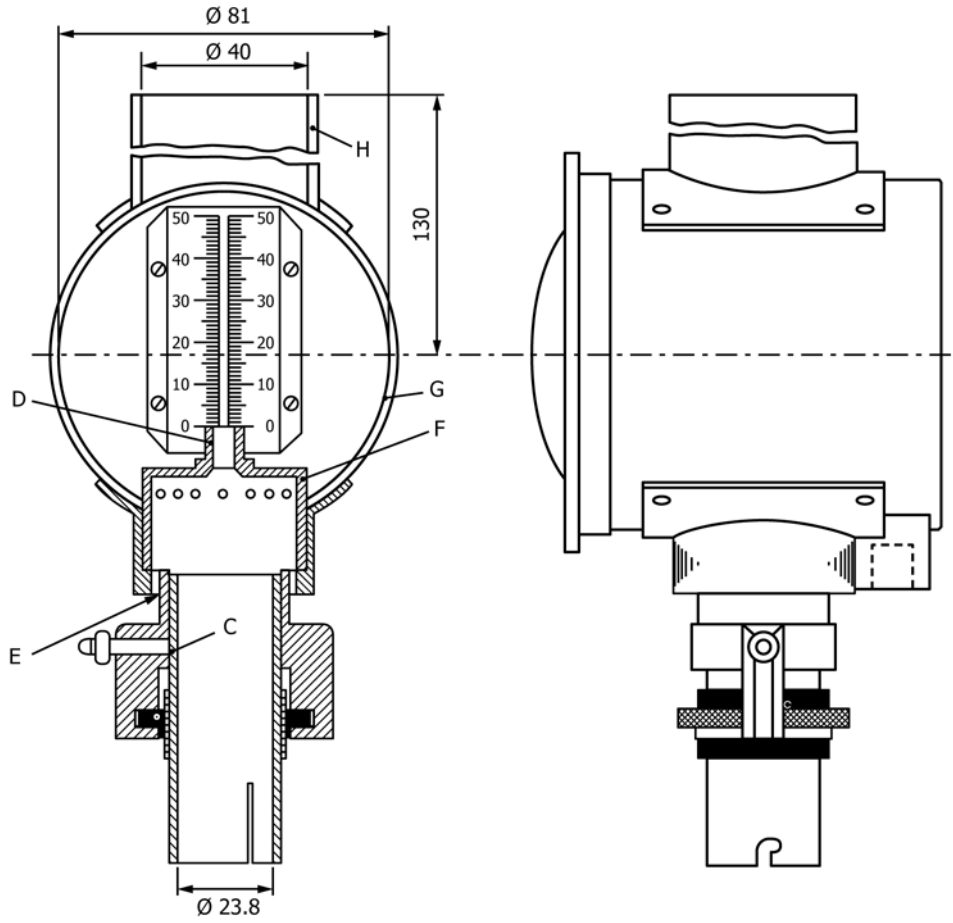
A1.1.4 The glass window of the door shall be curved to prevent the formation of multiple images.

A1.1.5 The joint between the base of the candle and the candle body shall be oil-tight.

TABLE A1.1 Critical Dimensions of Smoke Point Lamp

	Dimension, mm	Tolerance, mm
Lamp Body (Fig. A1.1)		
Candle Socket (C)		
Internal diameter	23.8	±0.05
Wick Guide (D)		
Internal diameter	6.0	±0.02
Air Inlets (20 in number) (E)		
Diameter	2.9	±0.05
Gallery (F)		
External diameter	35.0	±0.05
Air inlets (20 in number), diameter	3.5	±0.05
Lamp Body (G)		
Internal diameter	81.0	±1.0
Internal depth	81.0	±1.0
Chimney (H)		
Internal diameter	40.0	±1.0
Height, top of chimney to center of lamp body	130	±1.0
Candle (Fig. A1.2)		
Candle Body		
Internal diameter	21.25	...
External diameter	sliding fit in candle holder	
Length, without cap	109†	±0.05
Thread on cap	9.5 mm dia screwed 1.0 mm pitch	
Wick Tube (A)		
Internal diameter	4.7	±0.05
External diameter	close fit in flame guide	
Length	82.0	±0.05
Air-Vent (B)		
Internal diameter	3.5	±0.05
Length	90.0	±0.05

† Editorially corrected.



NOTE 1—Dimensions are millimetres.

FIG. A1.1 Lamp Body

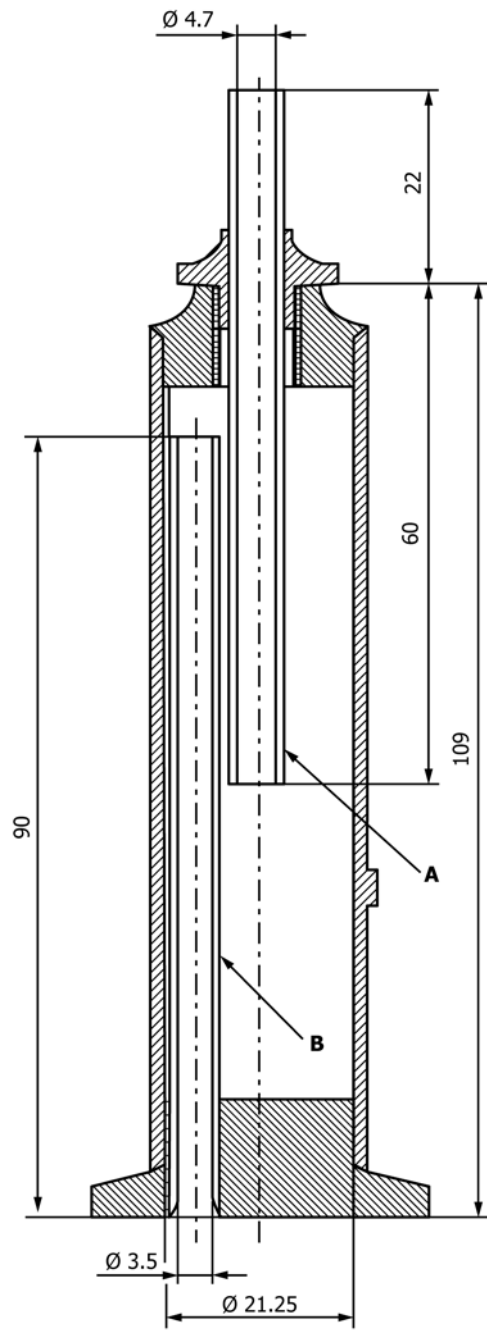


FIG. A1.2 Candle

A2. WARNING STATEMENTS

A2.1 Toluene

A2.1.1 **Warning**—Flammable. Vapor harmful. Keep away from heat, sparks and open flame. Keep container closed. Use with adequate ventilation. Avoid breathing of vapor or spray mist. Avoid prolonged or repeated skin contact.

A2.2 2,2,4-Trimethylpentane (Isooctane)

A2.2.1 **Warning**—Extremely flammable. Harmful if inhaled. Vapor may cause flash fire. Keep away from heat, sparks and open flame. Keep container closed. Use with adequate ventilation. Avoid buildup of vapors and eliminate all sources of ignition, especially nonexplosion-proof electrical apparatus and heaters. Avoid breathing of vapor or spray mist. Avoid prolonged or repeated skin contact.

A2.3 Methanol (Methyl Alcohol)

A2.3.1 **Warning**—Flammable. Vapor harmful. May be fatal or cause blindness if swallowed or inhaled. Cannot be made

nonpoisonous. Keep away from heat, sparks and open flame. Keep container closed. Avoid contact with eyes and skin. Avoid breathing of vapor or spray mist. Use with adequate ventilation. Do not take internally.

A2.4 Heptane

A2.4.1 **Warning**—Extremely flammable. Harmful if inhaled. Vapor may cause flash fire. Keep away from heat, sparks and open flame. Keep container closed. Use with adequate ventilation. Avoid build-up of vapors and eliminate all sources of ignition, especially nonexplosion-proof electrical apparatus and heaters. Avoid breathing of vapor or spray mist. Avoid prolonged or repeated skin contact.

APPENDIX

(Nonmandatory Information)

X1. HELPFUL INFORMATION ON WICK EXTRACTION AND CYCLE TIMES TO AVOID CONSTANT ATTENDANCE

X1.1 Extract all wicks, either new or from a previous determination using the following procedure:

X1.1.1 Place the wick(s) in an extractor and extract the wick(s) with a mixture of equal volumes of toluene and anhydrous methanol for at least 25 filling and emptying cycles. Soxhlet or similar extraction apparatus are permitted.

X1.1.2 In order to overcome the need for an operator to stand and count 25 cycles, it is recommended that the time

taken for two complete filling and emptying cycles be determined. Then the time for 25 cycles may be calculated. The wick(s) should then be extracted for at least this period of time.

X1.1.3 Drain the wick(s) and place on absorbent paper in a fume hood and allow to dry. After drying, place wick(s) in a suitable oven at 100°C to 110°C for 30 min. Store in a desiccator until required.

SUMMARY OF CHANGES

Subcommittee D02.J0 has identified the location of selected changes to this standard since the last issue (D1322 – 14a) that may impact the use of this standard. (Approved April 1, 2015.)

(1) Revised 10.2.1, 12.1, 13.1, and 13.2; added new subsection 12.2.

Subcommittee D02.J0 has identified the location of selected changes to this standard since the last issue (D1322 – 14) that may impact the use of this standard. (Approved Dec. 1, 2014.)

(1) Added 6.2.2.

Subcommittee D02.J0 has identified the location of selected changes to this standard since the last issue (D1322 – 12^{e1}) that may impact the use of this standard. (Approved Oct. 1, 2014.)

(1) Added **Appendix X1**.

ASTM International takes no position respecting the validity of any patent rights asserted in connection with any item mentioned in this standard. Users of this standard are expressly advised that determination of the validity of any such patent rights, and the risk of infringement of such rights, are entirely their own responsibility.

This standard is subject to revision at any time by the responsible technical committee and must be reviewed every five years and if not revised, either reapproved or withdrawn. Your comments are invited either for revision of this standard or for additional standards and should be addressed to ASTM International Headquarters. Your comments will receive careful consideration at a meeting of the responsible technical committee, which you may attend. If you feel that your comments have not received a fair hearing you should make your views known to the ASTM Committee on Standards, at the address shown below.

This standard is copyrighted by ASTM International, 100 Barr Harbor Drive, PO Box C700, West Conshohocken, PA 19428-2959, United States. Individual reprints (single or multiple copies) of this standard may be obtained by contacting ASTM at the above address or at 610-832-9585 (phone), 610-832-9555 (fax), or service@astm.org (e-mail); or through the ASTM website (www.astm.org). Permission rights to photocopy the standard may also be secured from the Copyright Clearance Center, 222 Rosewood Drive, Danvers, MA 01923, Tel: (978) 646-2600; <http://www.copyright.com/>