



Standard Specification for Welded Copper and Copper-Alloy Condenser and Heat Exchanger Tubes with Integral Fins¹

This standard is issued under the fixed designation B956/B956M; the number immediately following the designation indicates the year of original adoption or, in the case of revision, the year of last revision. A number in parentheses indicates the year of last reapproval. A superscript epsilon (ε) indicates an editorial change since the last revision or reapproval.

^{ε1} NOTE—Designation was corrected editorially in October 2013.

1. Scope*

1.1 This specification establishes the requirements for heat exchanger tubes manufactured from forge-welded copper and copper alloy tubing in straight lengths on which the external or internal surface, or both, has been modified by cold forming process to produce an integral enhanced surface for improved heat transfer.

1.2 *Units*—The values stated in either inch-pounds units or SI units are to be regarded separately as the standard. The values stated in each system are not exact equivalents; therefore, each system shall be used independently of the other. Combining values from the two systems could result in non-conformance with the specification.

1.2.1 Within the text, the SI units are shown in brackets.

1.3 The tubes are typically used in surface condensers, evaporators, and heat exchangers.

1.4 The product shall be produced of the following coppers or copper alloys, as specified in the ordering information.

Copper or Copper Alloy	Type of Metal
UNS No.	
C12000 ^A	DLP Phosphorized, low residual phosphorus
C12200 ^A	DHP Phosphorized, high residual phosphorus
C19200	Phosphorized, 1 % iron
C19400	Copper-Iron Alloy
C23000	Red Brass
C44300	Admiralty, arsenical
C44400	Admiralty, antimonial
C44500	Admiralty, phosphorized
C68700	Aluminum Brass
C70400	95-5 Copper-Nickel
C70600	90-10 Copper-Nickel
C70620	90-10 Copper-Nickel (Modified for Welding)
C71000	80-20 Copper-Nickel
C71500	70-30 Copper-Nickel
C71520	70-30 Copper-Nickel (Modified for Welding)
C72200	Copper-Nickel

¹ This specification is under the jurisdiction of ASTM Committee B05 on Copper and Copper Alloys and is the direct responsibility of Subcommittee B05.04 on Pipe and Tube.

Current edition approved April 1, 2010. Published May 2010. Originally approved in 2007. Last previous edition approved in 2007 as B956 – 07^{ε2}. DOI: 10.1520/B0956_B0956M-10E01.

^A Copper UNS Nos. C12000, and C12200 are classified in Classification B224.

NOTE 1—Designations listed in Classification B224.

1.5 *The following safety hazard caveat pertains only to the test methods described in this specification. This standard does not purport to address all of the safety concerns, if any, associated with its use. It is the responsibility of the user of this standard to establish appropriate safety and health practices and determine the applicability of regulatory limitations prior to use.*

2. Referenced Documents

2.1 *ASTM Standards*:²

- B153 Test Method for Expansion (Pin Test) of Copper and Copper-Alloy Pipe and Tubing
- B154 Test Method for Mercurous Nitrate Test for Copper Alloys
- B224 Classification of Coppers
- B543 Specification for Welded Copper and Copper-Alloy Heat Exchanger Tube
- B601 Classification for Temper Designations for Copper and Copper Alloys—Wrought and Cast
- B846 Terminology for Copper and Copper Alloys
- B858 Test Method for Ammonia Vapor Test for Determining Susceptibility to Stress Corrosion Cracking in Copper Alloys
- E8 Test Methods for Tension Testing of Metallic Materials
- E29 Practice for Using Significant Digits in Test Data to Determine Conformance with Specifications
- E53 Test Method for Determination of Copper in Unalloyed Copper by Gravimetry
- E54 Test Methods for Chemical Analysis of Special Brasses and Bronzes (Withdrawn 2002)³
- E62 Test Methods for Chemical Analysis of Copper and

² For referenced ASTM standards, visit the ASTM website, www.astm.org, or contact ASTM Customer Service at service@astm.org. For *Annual Book of ASTM Standards* volume information, refer to the standard's Document Summary page on the ASTM website.

³ The last approved version of this historical standard is referenced on www.astm.org.

*A Summary of Changes section appears at the end of this standard

- Copper Alloys (Photometric Methods) (Withdrawn 2010)³
- E112 Test Methods for Determining Average Grain Size
- E118 Test Methods for Chemical Analysis of Copper-Chromium Alloys (Withdrawn 2010)³
- E243 Practice for Electromagnetic (Eddy Current) Examination of Copper and Copper-Alloy Tubes
- E255 Practice for Sampling Copper and Copper Alloys for the Determination of Chemical Composition
- E478 Test Methods for Chemical Analysis of Copper Alloys
- E527 Practice for Numbering Metals and Alloys in the Unified Numbering System (UNS)

3. Terminology

3.1 For the definitions of terms related to copper and copper alloys, refer to Terminology B846.

3.2 *Definitions of Terms Specific to This Standard:*

3.2.1 *enhanced tube*—tube having a series of metallic ribs on the outside or inside surface, or both, either parallel to the longitudinal axis or circumferentially extended from the tube to increase the effective surface for heat transfer (Figs. 1-3).

3.2.2 *unenanced tube*—tube made by processing strip into a tubular shape and forge welding the edges to make a longitudinal seam with no enhancements on the O.D. or I.D.

4. Types of Welded Tube

4.1 Reference Specification B543 for the types of forge welded tube products that will be supplied for the enhancing operation (Section 6).

5. Ordering Information

5.1 Include the following information when placing orders for product under this specification as applicable:

- 5.1.1 ASTM designation and year of issue,
- 5.1.2 Copper UNS No. designation (for example, Copper UNS No. C12000),
- 5.1.3 Tube type (Section 4),
- 5.1.4 Temper (Section 8),
- 5.1.5 Dimensions, the diameter, wall thickness, whether minimum or nominal wall, and length (Section 14),

5.1.6 Configuration of enhanced surfaces shall be agreed upon between the manufacturer and the purchaser (Figs. 1-3), and

5.1.7 Quantity.

5.2 The following options are available and shall be specified at the time placing the order, when required:

- 5.2.1 When heat identification or traceability is required,
- 5.2.2 Whether a pressure test is to be used instead of the eddy-current test (13.1),
 - 5.2.2.1 Whether a pressure test is to be used along with the eddy-current test (13.3 and 13.4),
 - 5.2.3 Whether cut ends of the tube are to be deburred, chamfered, or otherwise treated (Section 15),
 - 5.2.4 If the product is to be subsequently welded (see Table 1, Footnote E),
 - 5.2.5 Certification, if required (Section 23), and
 - 5.2.6 Mill test report, if required (Section 24).

6. Materials and Manufacture

6.1 *Material:*

6.1.1 The material of manufacture shall be welded tube of one of the Copper Alloy UNS Nos. listed in 1.1 of such purity and soundness as to be suitable for processing into the products prescribed herein.

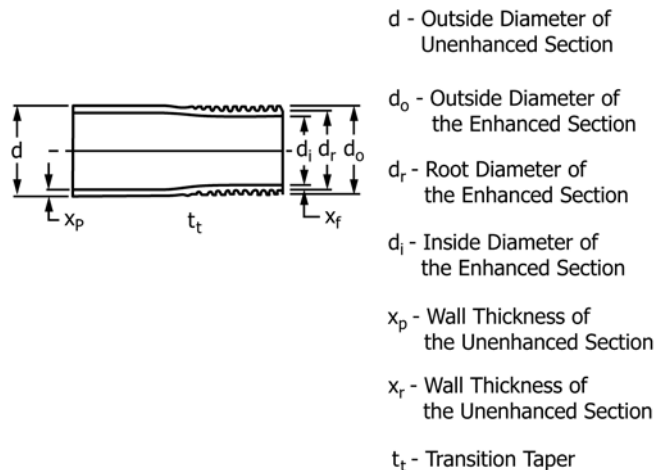
6.1.2 In the event heat identification or traceability is required, the purchaser shall specify the details desired.

6.2 *Manufacture:*

6.2.1 The product shall be manufacture by cold forming the enhancement of the heat transfer surfaces.

6.3 Product described by this specification shall typically be furnished with unenhanced ends, but may be furnished with enhanced ends or stripped ends from which the O.D. enhancement has been removed by machining.

6.3.1 The enhanced sections of the tube in the as-fabricated temper are in the cold formed condition produced by the enhancing operation.



NOTE 1—The outside diameter over the enhanced section will not normally exceed the outside diameter of the unenhanced section.

FIG. 1 Outside Diameter Enhanced Tube Nomenclature

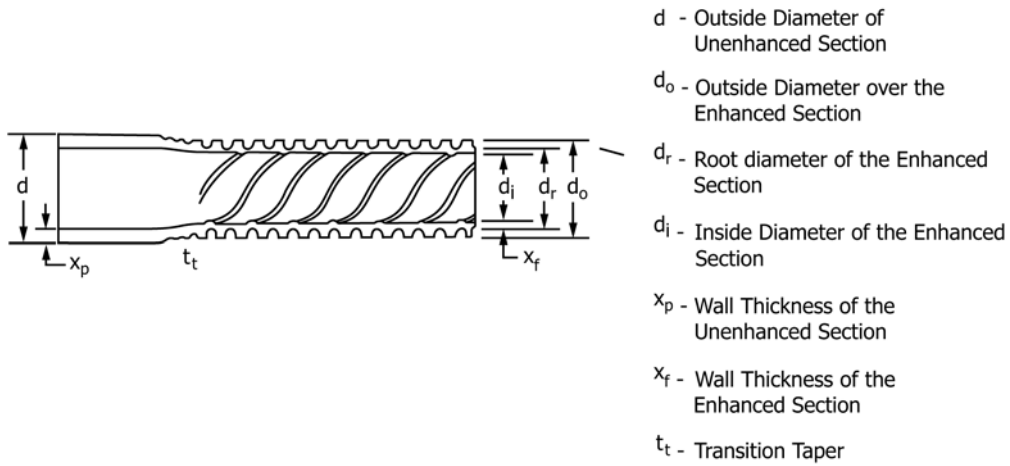


FIG. 2 Outside Diameter and Inside Diameter Enhanced Tube Nomenclature

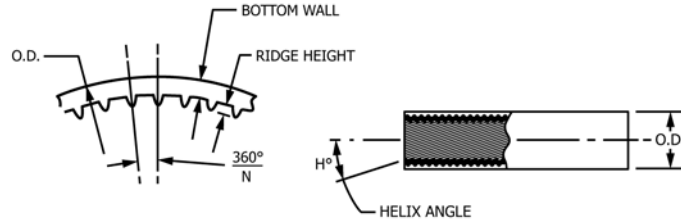


FIG. 3 Inside Diameter Enhanced Tube Nomenclature

TABLE 1 Chemical Requirements

Copper or Copper Alloy UNS No.	Composition, %												
	Copper	Tin	Aluminum	Nickel, incl Cobalt	Lead, max	Iron	Zinc	Manganese	Arsenic	Antimony	Phosphorus	Chromium	Other Named Elements
C12000	99.90 min ^A	0.004–0.012
C12200	99.9 min ^A	0.015–0.040
C19200	98.5 min ^B	0.8–1.2	0.20 max	0.01–0.04
C19400	97.0 min ^B	0.03	2.1–2.6	0.05–0.20	0.015–0.15
C23000	84.0–86.0 ^B	0.05	0.05 max	remainder
C44300	70.0–73.0 ^C	0.9–1.2	0.07	0.06 max	remainder	...	0.02–0.06
C44400	70.0–73.0 ^C	0.9–1.2	0.07	0.06 max	remainder	0.02–0.10
C44500	70.0–73.0 ^C	0.9–1.2	0.07	0.06 max	remainder	0.02–0.10
C68700	76.0–79.0 ^{A,D}	...	1.8–2.5	...	0.07	0.06 max	remainder	...	0.02–0.06
C70400	remainder ^{A,D}	4.8–6.2	0.05	1.3–1.7	1.0 max	0.30–0.8
C70600	remainder ^{A,D}	9.0–11.0	0.05	1.0–1.8	1.0 max	1.0 max
C70620	86.5 min ^{A,D}	9.0–11.0	0.02	1.0–1.8	0.50 max	1.0 max	0.02 max	...	0.05 C max 0.02 S max
C71000	remainder ^{A,D,E}	19.0–23.0	0.05	1.0 max	1.0 max	1.0 max
C71500	remainder ^{A,D}	29.0–33.0	0.05	0.40–1.0	1.0 max	1.0 max
C71520	65.0 min ^{A,D}	29.0–33.0	0.02	0.40–1.0	0.50 max	1.0 max	0.02 max	...	0.05 C max 0.02 S max
C72200	remainder ^{A,B,E}	15.0–18.0	0.05	0.50–1.0	1.0 max	1.0 max	0.30–0.7	0.03 Si max 0.03 Ti max

^A Copper (including silver).

^B Cu + Sum of Named Elements, 99.8 % min.

^C Cu + Sum of Named Elements, 99.6 % min.

^D Cu + Sum of Named Elements, 99.5 % min.

^E When the product is for subsequent welding applications, and so specified in the contract or purchase order, zinc shall be 0.50 % max, lead 0.02 % max, phosphorus 0.02 % max, sulfur 0.02 % max, and carbon 0.05 % max.

6.3.2 The unenhanced sections of the tube shall be in the annealed or as-welded temper, and shall be suitable for rolling-in operations.

7. Chemical Composition

7.1 The material shall conform to the chemical compositional requirements in **Table 1** for Copper UNS No. designation specified in the ordering information.

7.2 The composition limits do not preclude the presence of other elements. By agreement between the manufacturer and purchaser, limits may be established and analysis required for unnamed elements.

7.2.1 *Copper Alloy C19200 and C19400*—Copper may be taken as the difference between the sum of results for all specified elements and 100 %. When all elements specified, including copper, are determined, their sum shall be 99.8 % minimum.

7.2.2 For alloys in which copper is specified as the remainder, copper may be taken as the difference between the sum of the results for all specified elements and 100 % for the particular alloy.

7.2.2.1 When analyzed, copper plus the sum of results for specified elements shall conform with the requirements shown in the following table:

Copper Alloy UNS No.	Copper Plus Named Elements, % min
C70400	99.5
C70600	99.5
C70620	99.5
C71000	99.5
C71500	99.5
C71520	99.5
C72200	99.8

7.2.3 For alloys in which zinc is specified as the remainder, either copper or zinc may be taken as the difference between the sum of the results of specified elements analyzed and 100 %.

7.2.3.1 When all specified elements are determined, the sum of results plus copper shall be as follows:

Copper Alloy UNS No.	Copper Plus Named Elements, % min
C23000	99.8
C44300, C44400, C44500	99.6
C68700	99.5

8. Temper

8.1 Tempers, as defined in Classification **B601** and this specification, are as follows:

8.1.1 The tube, after enhancing, shall be supplied, as specified, in the annealed (061) or as-fabricated temper.

8.1.1.1 The enhanced sections of tubes in the as-fabricated temper are in the cold formed condition produced by the fabricating operation.

8.1.1.2 The unenhanced sections of tubes in the as-fabricated temper are in the temper of the tube prior to enhancing, welded and annealed (WO61), welded and light cold-worked (WC55) and suitable for rolling-in operations.

8.2 Tubes of Copper Alloy UNS Nos. C23000, C44300, C44400, C44500, and C68700 shall be furnished in the

annealed temper or the stress relieved condition as specified in the purchase order unless otherwise agreed upon between the purchaser and the manufacturer.

8.3 Tubes of Copper Alloy UNS Nos. C12200, C19200, C19400, C70400, C70600, C71000, C71500, and C72200 are normally supplied in the temper specified in the purchase order without stress relief treatment.

NOTE 2—Some tubes, when subjected to aggressive environments, may be subject to stress-corrosion cracking because of the residual tensile stresses developed in the enhancing process. For such applications, it is suggested that tubes of Copper Alloy UNS Nos. C23000, C44300, C44400, C44500, and C68700 are subjected to a stress relieving thermal treatment subsequent to the enhancement process. In Specification B359 the stress relief anneal is mandatory for brass alloys.

9. Grain Size for Annealed Tempers

9.1 Samples of annealed temper tubes shall be examined at a magnification of 75 diameters. The grain size shall be determined in the wall beneath the internal enhancement. While there is not grain size range, the microstructure shall show complete recrystallization and the weld zone shall have a structure typical of hot-forged welds.

10. Mechanical Property Requirements

10.1 Tensile Strength and Yield Strength Requirements:

10.1.1 Product furnished under this specification shall conform to the tensile and yield strength requirements prescribed in **Table 2** when tested in accordance with Test Method **E8**.

10.1.2 Acceptance or rejection based upon mechanical properties shall depend only on tensile strength and yield strength.

11. Performance Requirements

11.1 Expansion Test Requirements:

11.1.1 Product in the annealed tempers and the light cold-worked temper shall withstand expansion in accordance with Test Method **B153** and to the extent in **Table 3**.

11.1.2 The expanded tube area shall be free of defects, but blemishes of nature that do not interfere with the intended application are acceptable.

11.2 Flattening Test:

11.2.1 When specified in the contract or purchase order, the flattening test described in the test method section in **19.2.7** shall be performed.

11.2.2 During inspection, the flattened areas and edges of the test specimen shall be free of defects, but blemishes of a nature that do not interfere with the intended application are acceptable.

11.3 Reverse Bend Test:

11.3.1 When specified in the contract or purchase order, the reverse bend test described in the test method section in **19.2.8** shall be performed on unenhanced tubes.

11.3.2 The sample shall be free of defects, but blemishes of nature that do not interfere with the intended application are acceptable.

12. Other Requirements

12.1 Mercurous Nitrate Test or Ammonia Vapor Test:

TABLE 2 Tensile Requirements

Copper or Copper Alloy UNS No.	Temper Designation		Tensile Strength min ksi ^A [MPa]	Yield Strength ^B min ksi ^A [MPa]
	Standard	Former		
C12000, C12200,	WO61	annealed	30 [205]	9 [62] ^C
C19200	WO61	annealed	38 [260]	12 [85]
C19400	WO61	annealed	45 [310]	15 [105]
	WC55	light cold-worked	45 [310]	22 [152]
C23000	WO61	annealed	40 [275]	12 [85]
C23000	WC55	light cold-worked	42 [290]	20 [138]
C44300, C44400, C44500	WO61	annealed	45 [310]	15 [105]
C44300, C44400, C44500	WC55	light cold-worked	50 [345]	35 [241]
C68700	WO61	annealed	50 [345]	18 [125]
C68700	WC55	light cold-worked	^D	^D
C70400	WO61	annealed	38 [260]	12 [85]
C70400	WC55	light cold-worked	40 [275]	30 [207]
C70600	WO61	annealed	40 [275]	15 [105]
C70600	WC55	light cold-worked	45 [310]	35 [241]
C70620	WO61	annealed	40 [275]	15 [105]
C70620	WC55	light cold-worked		
C71000	WO61	annealed	45 [310]	16 [110]
C71000	WC55	light cold-worked	50 [345]	35 [241]
C71500	WO61	annealed	52 [360]	18 [125]
C71500	WC55	light cold-worked	54 [372]	35 [241]
C71520	WO61	annealed	52 [360]	18 [125]
C71520	WC55	light cold-worked		
C72200	WO61	annealed	45 [310]	16 [110]
C72200	WC55	light cold-worked	50 [345]	30 [207]

^A ksi = 1000 psi.

^B At 0.5 % extension under load.

^C Light straightening operation is permitted.

^D Where no properties are shown, strength requirements shall be as agreed upon between the purchaser and the manufacturer.

TABLE 3 Expansion Requirements

Temper	Copper or Copper Alloy UNS No.	Expansion of Tube Outside Diameter, in Percent of Original Outside Diameter
Annealed	C12000	30
	C12200	30
	C19200	20
	C19400	20
	C23000	20
	C44300, C44400,	20
	C44500	
	C68700	20
	C70400	30
	C70600, 70620	30
	C71000	30
	C71500, C71520	30
	C72200	30
	Light cold-worked	C12200
C19400		20
C70400		20
C70600		20
C71000		20
C71500		20
C71640		20
C72200		20

12.1.1 The mercurous nitrate or ammonia vapor test is required only for Copper Alloys UNS Nos. C23000; C44300; C44400; C44500; C60800; and C68700; when purchased if not supplied in an annealed temper (**Warning**—Mercury is a definite health hazard and therefore equipment for the detection and removal of mercury vapor produced in volatilization is recommended. The use of rubber gloves in testing is advisable.)

12.1.2 The test specimens, cut 6 in. [150 mm] in length from the enhanced section shall withstand, without cracking, an immersion in the standard mercurous nitrate solution in Test Method **B154** or immersion in the ammonia vapor solution as defined in Test Method **B858**.

12.1.3 Unless otherwise agreed upon between the manufacturer, or supplier, and the purchaser, the manufacturer shall have the option of using either the mercurous nitrate test or the ammonia vapor test. If agreement cannot be reached, the mercurous nitrate test standard shall be utilized.

12.1.4 If the ammonia vapor test, Test Method **B858** is selected, the appropriate risk level pH value for the test solution shall be agreed upon by the manufacturer and purchaser, or alternately, if the purchaser defers to the manufacturer's expertise for the selection of the test pH value, the minimum value selected shall be 9.8.

13. Nondestructive Testing

13.1 Each tube shall be subjected to an eddy-current test in **13.2**. Fully finished tube (see **4.1**) may be tested in the as-fabricated or annealed tempers, unless otherwise agreed upon between the manufacturer or supplier and the purchaser. The purchaser may specify either of the tests in **13.3** or **13.4** as an alternative to the eddy-current test.

13.2 *Eddy Current Test*—Each tube shall be passed through an eddy-current testing unit adjusted to provide information on the suitability of the tube for the intended application. Testing shall follow the procedures of Practice **E243**, except as modified in **19.2.9.1**.

13.2.1 Tubes that do not actuate the signaling device of the eddy-current tester shall be considered as conforming to the

requirements of this test. Tubes causing irrelevant signals because of moisture, soil, and like effects may be reconditioned and retested. Such tubes, when retested to the original test parameters, shall be considered to conform if they do not cause output signals beyond the acceptable limits. Tubes causing irrelevant signals because of visible and identifiable handling marks may be retested by the hydrostatic test prescribed in 13.3, or the pneumatic test prescribed in 13.4. Tubes meeting requirements of either test shall be considered to conform if the tube dimensions are within the prescribed limits, unless otherwise agreed to by the manufacturer or supplier and the purchaser.

13.3 *Hydrostatic Test*—(If required on the purchase order), each tube, without showing evidence of leakage, shall withstand an internal hydrostatic pressure sufficient to subject the material in the unenhanced region of the tube to a fiber stress of 7000 psi [48 MPa], as determined by the following equation for thin hollow cylinders under tension:

$$P = \frac{2St}{(D - 0.8t)} \quad (1)$$

where:

- P = hydrostatic pressure, psig, [MPa],
- t = thickness of tube wall, in., [mm],
- D = outside diameter of tube, in., [mm], and
- S = allowable fiber stress of the material, psi, [MPa].

13.3.1 The tube need not be tested at a hydrostatic pressure over 1000 psi [6.9 MPa] unless so specified.

13.4 *Pneumatic Test*—(If required on the purchase order), each tube, after enhancing, shall withstand a minimum internal air pressure of 250 psig [1.7 MPa] for 5 s and any evidence of leakage shall be cause for rejection. The test method used shall permit easy visual detection of any leakage, such as having the tube under water, or by the pressure differential method.

13.5 ASME Pressure Vessel Code:

13.5.1 When tubes are specified to meet the requirements of the ASME Boiler and Pressure Vessel Code, eddy current testing as described in 13.2 is required on enhanced tube, and a pressure test as described in 13.3 or 13.4 is required.

14. Dimensions, Mass, and Permissible Variations

14.1 *Diameters*—The outside diameter of the tubes shall not vary from that specified by more than the amounts shown in Table 5 as measured by “go” and “no-go” ring gages. Where no values are shown in the table, diameters shall be as agreed upon between the manufacturer and the purchaser.

14.2 Wall Thickness Tolerances:

Tube Outside Diameter, in.	Diameter of Drilled Holes, in.	Drill No.
1/4 – 3/4, incl	0.025	72
Over 3/4 – 1, incl	0.031	68

TABLE 5 Diameter Tolerances

Specified Diameter, in. [mm]	Tolerance, in. [mm]
0.500 [12.0] and under	±0.002 [0.050]
Over 0.500–0.740 [12.0–18.0], incl	±0.0025 [0.063]
Over 0.740–1.000 [18.0–25.0], incl	±0.003 [0.076]

14.2.1 *Tubes Ordered to Minimum Wall*—No tube at its thinnest point shall be less than the specified wall thickness or greater the specified wall thickness plus twice the tolerances shown in Table 6.

14.2.2 *Tubes Ordered to Nominal Wall*—The maximum plus and minus deviation from the nominal wall at any point shall not exceed the values shown in Table 6.

14.3 *Length*—The length of the tubes shall not be less than that specified when measured at a temperature of 20°C, but may exceed the specified value by the amounts given in Table 7.

14.4 *Squareness of Cut*—The departure from squareness of the end of any tube shall not exceed the values shown in Table 8.

NOTE 3—For the purpose of determining conformance with the dimensional requirements prescribed in this specification, any measured value outside the specified limiting values for any dimension may be cause for rejection.

15. Workmanship, Finish, and Appearance

15.1 Roundness, straightness, uniformity of the wall thickness, and inner and outer surface of the tube shall be such as to make it suitable for the intended application. Unless otherwise specified on the purchase order, the cut ends of the tubes shall be deburred by use of a rotating wire wheel or other suitable tool.

15.2 Welded and annealed, fully finished annealed shall be clean and smooth but may have a superficial, dull iridescent film on both the inside and the outside surfaces. All other tubes shall be clean and smooth but may have a superficial film of drawing or other lubricant on the surfaces. Tubes in the as-fabricated temper may have a superficial film of finning lubricant on the surfaces.

16. Sampling

16.1 *Sampling*—The lot size, portion size, and selection of sample pieces shall be as follows:

16.1.1 *Lot Size*—600 tubes or 10 000 lb or a fraction of either, whichever constitutes the greater weight.

TABLE 6 Wall Thickness Tolerances

Wall Thickness, in.	Outside Diameter, in.	
	Over 1/8 to 5/8, incl	Over 5/8 to 1, incl
	Wall Thickness Tolerances, ± in.	
0.020 incl, to 0.032	0.003	0.003
0.032 incl, to 0.035	0.003	0.003
0.035 incl, to 0.058	0.004	0.0045
0.058 incl, to 0.083	0.0045	0.005
0.083 incl, to 0.120	0.005	0.0065
0.120 incl, to 0.135	0.007	0.007

TABLE 7 Length Tolerances

Specified Length, ft [mm]	Tolerance, all Plus, in. [mm]
Up to 20 [6000], incl	1/8 [3.2]
Over 20–30 [6000-10 000], incl	5/32 [4.0]
Over 30–60 [10 000-18 000], incl	1/4 [6.4]

TABLE 8 Squareness of Cut

Specified Outside Diameter, in. [mm]	Tolerance, in. [mm]
Up to 5/8 [16.0], incl	0.010 [0.25]
Over 5/8 [16.0]	0.016 in./in. [0.016 mm/mm] of diameter

16.1.2 *Portion Size*—Sample pieces from two individual lengths of finished product.

16.2 Samples taken for the purpose of the tests prescribed in the specification shall be selected in a manner that will represent correctly the material furnished and avoid needless destruction of finished material when samples representative of the material are available from other sources.

16.3 *Chemical Analysis*—Samples for chemical analysis shall be taken in accordance with Practice E255. Drillings, millings, and so forth, shall be taken in approximately equal weight from each of the sample pieces selected in accordance with 16.1.2 and combined into one composite sample. The minimum weight of the composite sample that is to be divided into three equal parts shall be 150 g.

16.3.1 Instead of sampling in accordance with Practice E255, the manufacturer shall have the option of determining conformance to chemical composition as follows: Conformance shall be determined by the manufacturer by analyzing samples taken at the time the castings are poured or samples taken from the semi-finished product. If the manufacturer determines the chemical composition of the material during the course of manufacture, he shall not be required to sample and analyze the finished product. The number of samples taken for determination of chemical composition shall be as follows:

16.3.1.1 When samples are taken at the time the castings are poured, at least one sample shall be taken for each group of castings poured simultaneously from the same source of molten metal.

16.3.1.2 When samples are taken from the semi-finished product, a sample shall be taken to represent each 10 000 lb or fraction thereof, except that not more than one sample shall be required per piece.

16.3.2 Due to the discontinuous nature of the processing of castings into wrought products, it is not practical to identify specific casting analysis with a specific quantity of finished material.

16.3.3 In the event that heat identification or traceability is required, the purchaser shall specify the details desired.

17. Number of Tests and Retest

17.1 Tests:

17.1.1 *Chemical Analysis*—Chemical composition shall determine as the per element mean of the results from at least two

replicate analyses of the samples, and the results of each replication must meet the requirements of the product specification.

17.1.2 *Tension Tests*—When tensile strength is specified, two tubes shall be selected from each lot and subjected to the tension test which shall, in case of disagreement, be made in accordance with Test Methods E8.

17.1.3 *Other Tests*—For tests specified in Sections 11 and 12, specimens shall be taken from each of the pieces selected in accordance with 16.1.

17.2 Retests:

17.2.1 When test results obtained by the purchaser fail to conform with the product specification requirement(s), the manufacturer or supplier shall have the option to perform a retest.

17.2.2 Retesting shall be as directed in this specification for the initial test, except the number of test specimens shall be twice that required normally for the test.

17.2.3 Test results for all specimens shall conform to the requirement(s) of this specification in retest, and failure to comply shall be cause for lot rejection.

18. Specimen Preparation

18.1 Chemical Analysis:

18.1.1 Preparation of the analytical test specimen shall be the responsibility of the reporting laboratory.

18.2 Grain Size:

18.2.1 Test specimen shall be prepared in accordance with Practice E112, Section 9.

18.3 Tensile Test:

18.3.1 The test specimen shall be of the full section of the tube and shall conform to the requirements of the section titled Specimens for Pipe and Tube in Test Methods E8.

18.3.1.1 When the limitations of the testing machine preclude the use of a full section specimen, specimens conforming to Tension Test Specimens for Large-Diameter Tubular Products of Test Methods E8 shall be used.

18.4 Expansion (Pin Test):

18.4.1 Test specimen shall conform to the requirements of the Specimen Preparation section of Test Method B153.

18.5 Flattening Test:

18.5.1 Test specimen shall be cut to a length that will allow the tube to be flattened at three (3) places along the length, so a total of at least 12 in. [300 mm] is flattened. When the temper is other than annealed, the sample may be annealed prior to testing.

18.6 Reverse Bend Test:

18.6.1 A representative tube sample shall be cut to a length that will accommodate the test. The sample is permitted to be annealed when the temper is other than annealed.

18.6.2 The product test specimen shall be cut longitudinally, 90° on each side of the weld, when visible or identifiable.

18.7 Mercurous Nitrate Test or Ammonia Vapor Test:

18.7.1 Specimens for the mercurous nitrate test or ammonia vapor test shall be 6 in. [150 mm] in length and shall be taken from the enhanced and unenhanced portion of each sample.

19. Test Methods

19.1 Composition shall be determined, in case of disagreement, as follows:

Element	Method
Copper 99.75 to 99.99	E53 Electrolytic
Copper 60 to 99.74	E478 Electrolytic
Tin 0.9 to 1.2	E478 Titrimetric
Aluminium 1.8 to 6.5	E478 Titrimetric
Nickel, incl Cobalt	E478 Gravimetric
Lead 0.05 to 0.10	E478 Atomic Absorption
Iron 0.05 to 1.8	E54
Zinc to 1.0	E478 Atomic Absorption
Zinc 14.0 to 30.0	E478 Titrimetric
Manganese to 1.0	E62
Arsenic 0.02 to 0.5	E62
Antimony 0.02 to 0.1	E62
Phosphorus 0.001 to 0.04	E62
Chromium 0.30 to 0.70	E118

19.1.1 Test methods for the determination of element(s) required by contractual or purchase order agreement shall be as agreed upon between the manufacturer and the purchaser.

19.2 Other Tests:

19.2.1 The product furnished shall conform to all other requirements when subjected to tests in accordance with the following table:

Requirement	ASTM Designation
Grain size	E112
Tensile strength	E8
Expansion test	B153
Flattening test	Section 19.2.7
Reverse bend test	Section 19.2.8
Electromagnetic (eddy-current) test	E243
Hydrostatic test	Section 13.3
Pneumatic test	Section 13.4

19.2.2 Tension test specimens shall be of the full section of the tube and shall conform to the requirements of the Significance and Use section of Test Methods E8.

19.2.3 Whenever tension test results are obtained from both full size and machined test specimens and they differ, the results obtained from full-size test specimens shall be used to determine conformance to the specification requirements.

19.2.4 Tension test results on material covered by this specification are not seriously affected by variations in speed of testing. A considerable range of testing speed is permissible; however, the range of stressing to the yield strength should not exceed 100 ksi/min. Above the yield strength the movement per minute of the testing machine head under load should not exceed 0.5 in./in. of gage length (or distance between grips for full-section specimens).

19.2.5 The surface of the test specimen for microscopical examination of grain size shall approximate a radial longitudinal section of the tube.

19.2.6 The surface of the test specimen for microscopical examination of the weld interface shall approximate a transverse section of the tube.

19.2.7 *Flattening Test*—Each test specimen shall be flattened in a press so a total of 12 in. [305 mm] is flattened along the length. The weld shall be placed in the position of maximum bend on all of the flattened areas. Each flattened area shall be at least 2 in. [50.8 mm] in length. Transition areas are allowed in between flattened areas. A flattened test specimen shall allow a micrometer caliper set at three times the wall

thickness to pass freely over the flattened area. The flattened areas and edges of the test specimen shall be inspected for surface defects.

19.2.8 *Reverse Bend Test*—The test specimen shall be flattened and bent around a mandrel with a diameter four times the wall thickness, with the mandrel parallel to the length and in contact with the outside surface of the tube. The weld shall be placed at the point of maximum bend.

19.2.9 *Electromagnetic (Eddy-Current) Test:*

19.2.9.1 Testing shall follow the procedures of Practice E243, except that the sensitivity settings of the test equipment shall be adjusted using the hole sizes specified in Table 4 of this specification. The holes for sensitivity adjustment shall be drilled radially through a portion of the standard tube or through a length of prime surface tube of the same size, temper, and composition. By mutual agreement between the manufacturer or supplier and purchaser, discontinuities of other contours may be used on the calibration standard.

19.2.9.2 Tubes that do not actuate the signaling device on the eddy current tester shall be considered as conforming to the requirements of this test.

20. Significance and Numerical Limits

20.1 For purposes of determining compliance with the specified limits of the properties listed in the following table, an observed or calculated value shall be rounded as indicated in accordance with the rounding method of Practice E29.

Property	Rounded Unit for Observed or Calculated Value
Chemical Composition	Nearest unit in the last right hand place of figures
Tensile Strength, Yield Strength	Nearest ksi [Nearest 5 MPa]
Grain Size:	
Up to 0.055 mm, incl	Nearest multiple of 0.005 mm
Over 0.055 mm	To the nearest 0.010 mm
Expansion	Nearest 1 %

21. Inspection

21.1 The manufacturer or supplier shall inspect and make tests necessary to verify the product furnished conforms to specification requirements.

21.2 Source inspection of the product by the purchaser may be agreed upon between the manufacturer or supplier and the purchaser as part of the purchase order. In such case, the nature of the facilities needed to satisfy the inspector representing the purchaser shall be included in the agreement. All tests and the inspection shall be conducted so as not to interfere unnecessarily with the operation of the works.

21.3 When mutually agreed upon, the manufacturer or supplier and the purchaser shall conduct the final inspection simultaneously.

22. Rejection and Rehearing

22.1 *Rejection:*

22.1.1 Product that fails to conform to the specification requirements, when tested by the purchaser or purchaser's agent, may be rejected.

22.1.2 Rejection shall be reported to the manufacturer or supplier promptly. In addition a written notification of rejection shall follow.

22.1.3 In case of dissatisfaction with the results of the test upon which rejection is based, the manufacturer or supplier, shall have the option to make claim for a rehearing.

22.2 *Rehearing*—As a result of product rejection, the manufacturer or supplier shall have the option to make claim for a retest to be conducted by the manufacturer or supplier and the purchaser. Samples of the rejected product shall be taken in accordance with the product specification and subjected to test by both parties using the test method(s) specified in the product specification, or, upon agreement of both parties, an independent laboratory may be selected for the test(s) using the test method(s) specified in the product specification.

23. Certification

23.1 When specified in the purchase order or contract, the purchaser shall be furnished certification that samples representing each lot have been either tested or inspected as directed in this specification, and requirements have been met.

23.2 When material is specified to meet the requirement of ASME Boiler and Pressure Vessel Code, certification is mandatory.

24. Test Report

24.1 When specified in the contract or purchase order, a report of test results shall be furnished.

25. Packaging and Package Marking

25.1 *Packaging*—The product shall be separated by size, composition, and temper and prepared for shipment by common carrier, in such a manner to afford protection from normal hazards of transportation.

25.2 *Package Marking*—Each shipping unit shall be legibly marked with the purchase order number, metal or alloy designation, temper, size, shape, total length or piece count or both, gross and net weight, and name of supplier. The specification number shall be shown when specified.

26. Keywords

26.1 condenser; copper; copper alloys; heat exchanger; integral fins; welded tube; UNS No. C12000; UNS No. C12200; UNS No. C19200; UNS No. C19400; UNS No. C23000; UNS No. C44300; UNS No. C44400; UNS No. C44500; UNS No. C68700; UNS No. C70400; UNS No. C70600; UNS No. C70620; UNS No. C71000; UNS No. C71500; UNS No. C71520; UNS No. C72200

APPENDIX

(Nonmandatory Information)

X1. DENSITIES OF COPPER AND COPPER ALLOYS

X1.1 The densities of the alloys covered by this specification are used as a reference for engineering purposes only and are given in [Table X1.1](#).

TABLE X1.1 Densities

Copper or Copper Alloy UNS No.	Density, lb/in. ³
C12000	0.323
C12200	0.323
C19200	0.320
C19400	0.322
C23000	0.316
C44300, C44400, C44500	0.308
C68700	0.301
C70400, C70600, C70620, C71000,	0.323
C71500, C71520, C71640, C72200	0.323

SUMMARY OF CHANGES

Committee B05 has identified the location of selected changes to this standard since the last issue (B956 –) that may impact the use of this standard. (Approved April 1, 2010.)

(1) Added Alloy C19400.

ASTM International takes no position respecting the validity of any patent rights asserted in connection with any item mentioned in this standard. Users of this standard are expressly advised that determination of the validity of any such patent rights, and the risk of infringement of such rights, are entirely their own responsibility.

This standard is subject to revision at any time by the responsible technical committee and must be reviewed every five years and if not revised, either reapproved or withdrawn. Your comments are invited either for revision of this standard or for additional standards and should be addressed to ASTM International Headquarters. Your comments will receive careful consideration at a meeting of the responsible technical committee, which you may attend. If you feel that your comments have not received a fair hearing you should make your views known to the ASTM Committee on Standards, at the address shown below.

This standard is copyrighted by ASTM International, 100 Barr Harbor Drive, PO Box C700, West Conshohocken, PA 19428-2959, United States. Individual reprints (single or multiple copies) of this standard may be obtained by contacting ASTM at the above address or at 610-832-9585 (phone), 610-832-9555 (fax), or service@astm.org (e-mail); or through the ASTM website (www.astm.org). Permission rights to photocopy the standard may also be secured from the Copyright Clearance Center, 222 Rosewood Drive, Danvers, MA 01923, Tel: (978) 646-2600; <http://www.copyright.com/>