



# Standard Specification for Configuration of Zinc and Zinc Alloy Jumbo, Block, Half Block, and Slab Ingot<sup>1</sup>

This standard is issued under the fixed designation B897; the number immediately following the designation indicates the year of original adoption or, in the case of revision, the year of last revision. A number in parentheses indicates the year of last reappraisal. A superscript epsilon ( $\epsilon$ ) indicates an editorial change since the last revision or reappraisal.

## 1. Scope\*

1.1 This specification covers zinc and zinc alloy jumbo, block, half block, and slab ingot meeting dimensional requirements.

1.2 The values stated in inch-pound units are to be regarded as standard. The values given in parentheses are mathematical conversions to SI units that are provided for information only and are not considered standard.

1.3 *This standard does not purport to address all of the safety concerns, if any, associated with its use. It is the responsibility of the user of this standard to become familiar with all hazards including those identified in the appropriate Material Safety Data Sheet (MSDS) for this product/material as provided by the manufacturer; to establish appropriate safety and health practices, and determine the applicability of regulatory limitations prior to use.*

## 2. Referenced Documents

2.1 The following standards of the issue in effect on date of order acceptance, form a part of this specification to the extent referenced herein:

2.2 *ASTM Standards:*<sup>2</sup>

B6 Specification for Zinc

B852 Specification for Continuous Galvanizing Grade (CGG) Zinc Alloys for Hot-Dip Galvanizing of Sheet Steel

B899 Terminology Relating to Non-ferrous Metals and Alloys

B949 Specification for General Requirements for Zinc and Zinc Alloy Products

E29 Practice for Using Significant Digits in Test Data to Determine Conformance with Specifications

<sup>1</sup> This specification is under the jurisdiction of ASTM Committee B02 on Nonferrous Metals and Alloys and is the direct responsibility of Subcommittee B02.04 on Zinc and Cadmium.

Current edition approved Dec. 1, 2013. Published January 2014. Originally approved in 1999. Last previous edition approved in 2010 as B897 – 10. DOI: 10.1520/B0897-13.

<sup>2</sup> For referenced ASTM standards, visit the ASTM website, [www.astm.org](http://www.astm.org), or contact ASTM Customer Service at [service@astm.org](mailto:service@astm.org). For *Annual Book of ASTM Standards* volume information, refer to the standard's Document Summary page on the ASTM website.

## 3. Terminology

3.1 Terms shall be defined in accordance with Terminology B899.

3.2 *Definitions of Terms Specific to This Standard:*

3.2.1 *jumbo ingot, n*—large casting of zinc or zinc alloy, having through holes for chains, designed for handling by mechanical equipment, with a nominal weight of 2400 pounds, which is also referred to as a jumbo or strip jumbo.

3.2.2 *block ingot, n*—large casting of zinc or zinc alloy, having lift pockets, designed for handling by mechanical equipment, with a nominal weight of 2400 pounds, which is also referred to as a block.

3.2.3 *half block ingot, n*—large casting of zinc or zinc alloy, having lift pockets, designed for handling by mechanical equipment, with a nominal weight of 1200 pounds, which is also referred to as half block.

3.2.4 *slab ingot, n*—smaller casting of zinc or zinc alloy designed for manual handling, but often handled by mechanical equipment, with a nominal weight of 55 pounds, which is also referred to as slab.

3.2.5 *slab bundle, n*—arrangement of typically 40 slab ingots strapped with metal or other binding, with nominal weight of 2200 pounds, which is also referred to as bundle. The bundle may be stacked on a wood or other skid.

## 4. Ordering Information

4.1 Orders for jumbo, block, half block, or slab ingots under this specification shall include the following information in addition to the appropriate information specified in Specification B949, Section 4:

4.1.1 Type of ingot (Jumbo, Type 1 Block, Type 2 Block, Half Block Type 1, Half Block Type 2, or Slab).

4.1.2 Order may stipulate dimensions, or tolerances, or both, not meeting this specification only upon mutual written agreement between purchaser and producer.

## 5. Materials and Manufacture

5.1 The producer shall use care to have each lot of zinc metal or zinc alloy jumbo, block, half block, or slab ingots be of as uniform quality as possible.

\*A Summary of Changes section appears at the end of this standard

**TABLE 1 Zinc Jumbo Ingot Specification**

Weight 2400 ± 100 lb (1089 ± 45 kg) Table of Dimensions					
Drawing Identification Letter	Dimension Definition	Dimension, in.		Dimension, mm	
		min	max	min	max
A	Top length	48.75	50.25	1238	1276
B	Bottom overall length <sup>A</sup>	46.00	48.00	1168	1219
C	Top width	19.25	20.25	489	514
0.5C	Center of pin hole to length edge	9.63	10.13	245	257
D	Bottom overall width <sup>A</sup>	16.50	18.50	419	470
E	Height <sup>B</sup>	11.75	13.25	298	337
F	Center of pin hole to end edge	5.75	6.75	146	171
G	Height of side fork slots	3.00	4.00	76	102
J	Upper width of side fork slot	5.50	8.00	140	203
K	Lower width of side fork slot	8.00	10.50	203	267
L	Top pin hole diameter	3.00	5.00	76	127
M	Bottom pin hole diameter <sup>B</sup>	4.50	6.50	114	165
N	Bottom center leg width	11.50	15.25	292	387
P	Upper width of end fork slot <sup>B,C</sup>	5.50	8.00	140	203
R	Lower width of end fork slot <sup>C</sup>	7.50	10.00	191	254
S	Lower outer leg(s) length	6.50	8.00	165	203
T	Height of end fork slot	3.00	4.00	76	102

<sup>A</sup> Dimensions with curved corners are measured by placing straight edges on both sides of the curve and using the intersecting point for the reference measurement.

<sup>B</sup> Minimum *P* dimension must be greater than the *M* dimension maximum.

<sup>C</sup> Minimum *R* dimension must be greater than the *P* dimension maximum.

**TABLE 2 Zinc Block Ingot Specification**

Weight 2400 ± 100 lb (1089 ± 45 kg) Table of Dimensions					
Drawing Identification Letter	Dimension Definition	Dimension, in.		Dimension, mm	
		min	max	min	max
A	Top length	29.50	33.00	749	838
E	Bottom length	23.00	30.25	584	768
G	Top width	19.25	23.00	489	584
H	Bottom width	14.00	19.25	356	489
F	Height	18.50	23.50	470	597
C	Lower width of side fork slot	14.75	20.00	375	508
D	Lower leg length	2.25	4.25	57	108
B	Distance between lift pockets	21.75	28.25	552	718
J	Bottom fork slot height	2.50	3.50	64	89
N	Inside lift pocket width	3.50	6.50	89	165
P	Outside lift pocket width	4.00	8.50	102	216
K	Ingot end to lift pocket	0.00	3.25	0	83
M	Lift pocket depth	1.25	2.75	32	70
R	Ingot top to lift pocket	1.75	7.00	45	178

## 6. Dimensions, Mass, and Permissible Variations

### 6.1 Jumbo Ingots:

6.1.1 Permissible variations in dimensions and tolerances for zinc or zinc alloy jumbo ingots shall be within the limits specified in **Table 1** and **Fig. 1** unless prior written agreement exists between purchaser and producer for nonstandard dimensions and tolerances.

6.1.2 Jumbo ingot weight shall be 2400 ± 100 lb (1089 ± 45 kg).

### 6.2 Block Ingots:

6.2.1 Permissible variations in dimensions and tolerances for zinc or zinc alloy block ingot shall be within the limits specified in **Table 2** and **Fig. 2** and **Fig. 3** unless prior written agreement exists between the purchaser and producer for nonstandard dimensions and tolerances.

**TABLE 3 Zinc Half Block Ingot Specification**

Weight 1200 ± 50 lb (545 ± 23 kg) Table of Dimensions					
Drawing Identification Letter	Dimension Definition	Dimension, in.		Dimension, mm	
		min	max	min	max
A	Top length	29.50	33.00	749	838
E	Bottom length	24.50	31.50	622	800
G	Top width	19.25	23.00	489	584
H	Bottom width	16.50	21.50	419	546
F	Height	11.00	14.00	279	355
C	Lower width of side fork slot	14.75	20.00	375	508
D	Lower leg length	2.25	4.25	57	108
B	Distance between lift pockets	19.50	28.25	495	718
J	Bottom fork slot height	2.50	3.50	64	89
N	Inside lift pocket width	3.00	6.50	76	165
P	Outside lift pocket width	4.00	8.50	102	216
K	Ingot end to lift pocket	0.00	3.25	0	83
M	Lift pocket depth	1.25	2.75	32	70
R	Ingot top to lift pocket	1.75	7.00	45	178
Q	NA Lift pocket can go to the bottom of ingot				

**TABLE 4 Zinc Slab Ingot and Bundle Specification**

Slab Weight 55 ± 10 lb (25 ± 5 kg) Bundle Weight 2200 ± 220 lb (1000 ± 100 kg) Table of Dimensions					
Drawing Identification Letter	Dimension Definition	Dimension, in.		Dimension, mm	
		min	max	min	max
A	Main slab height	1.3	2.4	35	61
B	Main slab bottom width	6.6	8.7	170	221
C	Main slab top width	7.5	9.8	193	249
D	Main slab bottom length	14.0	18.0	358	458
E	Main slab top length	15.8	19.7	403	501
F	Foot slab height	3.1	4.7	81	120
G	Foot slab top width	8.9	11.0	228	280
H	Foot slab bottom overall width	5.4	10.5	139	267
I	Foot slab top length	16.9	19.7	431	501
J	Foot slab bottom overall length	14.9	16.4	381	417
K	Slab bundle overall height	16.8	30.0	429	762
L	Slab bundle overall width	15.9	20.0	406	508
M	Slab bundle overall length	32.0	39.4	815	1001
N	Fork slot height	1.9	4.3	50	110

6.2.2 In addition to lift pockets in block ingots employed for ingot handling, smaller lift pockets are sometimes located on the ingot sides or ends and are employed to remove the ingot from the ingot mold during production and may be present at the discretion of the producer.

6.2.3 Block ingot weight shall be 2400 ± 100 lb (1089 ± 45 kg).

6.3 Smaller “half height” half block ingots typically weighing 1200 lb (545 kg) are commonly used for casting and master alloy ingots.

6.3.1 Permissible variations in dimensions and tolerances for zinc or zinc alloy half block ingot shall be within the limits specified in **Table 3** and **Fig. 2** and **Fig. 3** unless prior written agreement exists between the purchaser and producer for nonstandard dimensions and tolerances.

6.3.2 In addition to lift pockets in block ingots employed for ingot handling, smaller lift pockets are sometimes located on the ingot sides or ends and are employed to remove the ingot

from the ingot mold during production and may be present at the discretion of the producer.

6.3.3 Half block ingot weight shall be  $1200 \pm 50$  lb ( $545 \pm 23$  kg).

6.4 Slab Ingots:

6.4.1 Permissible variations in dimensions and tolerances for zinc or zinc alloy slab ingots shall be within the limits specified in Table 4 and Fig. 4 unless prior written agreement

exists between the purchaser and producer for nonstandard dimensions and tolerances.

6.4.2 Typically, slab bundles contain 40 slab ingots, of which 2 are foot slab ingots and the rest are main slab ingots. Some producers may supply bundles consisting only of main slab ingots (that is, no foot slab ingots), but the bundle should be constructed such that it is self-supporting when the bindings are removed.

6.4.3 Slab ingot weight shall be  $55 \pm 10$  lb ( $25 \pm 5$  kg).

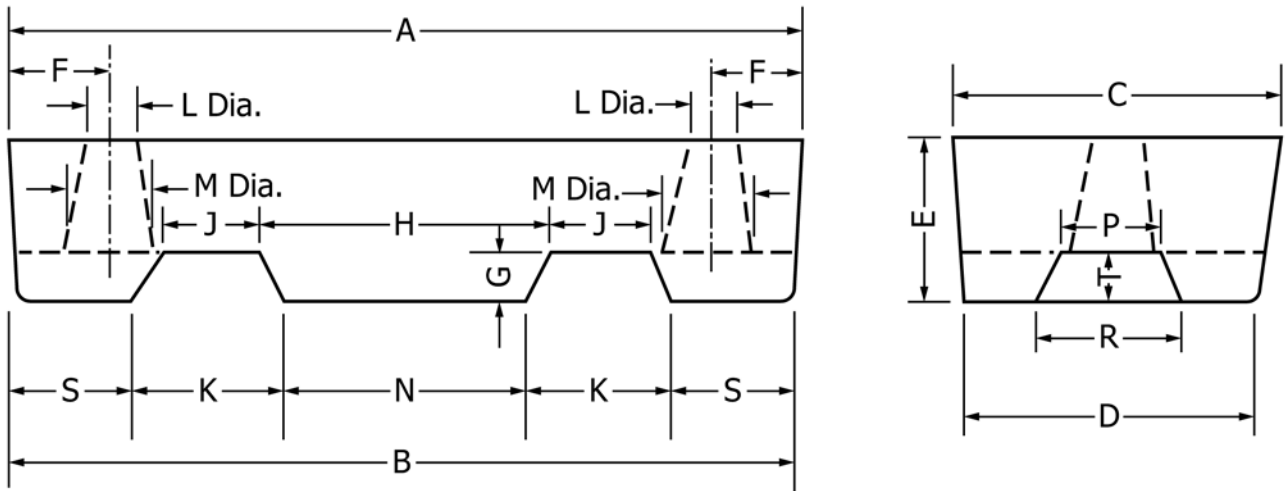
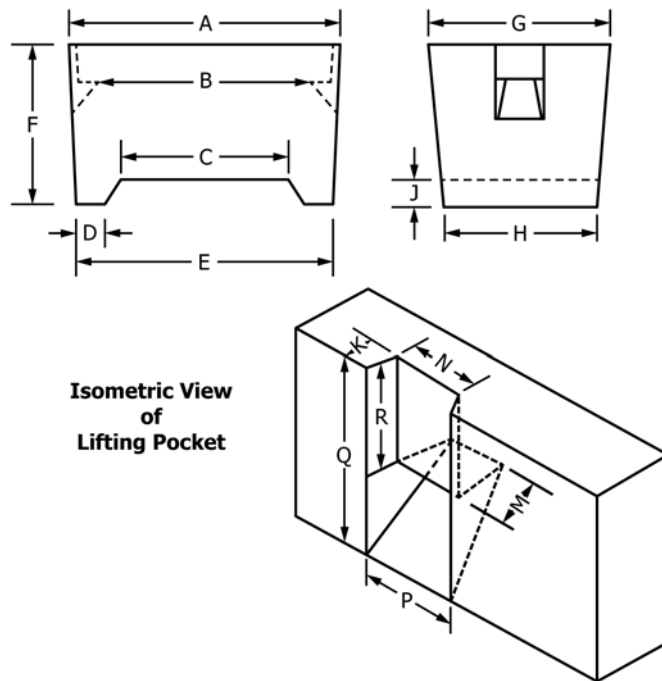


FIG. 1 Zinc Jumbo Ingot



Isometric View of Lifting Pocket

FIG. 2 Type 1 Block Ingot

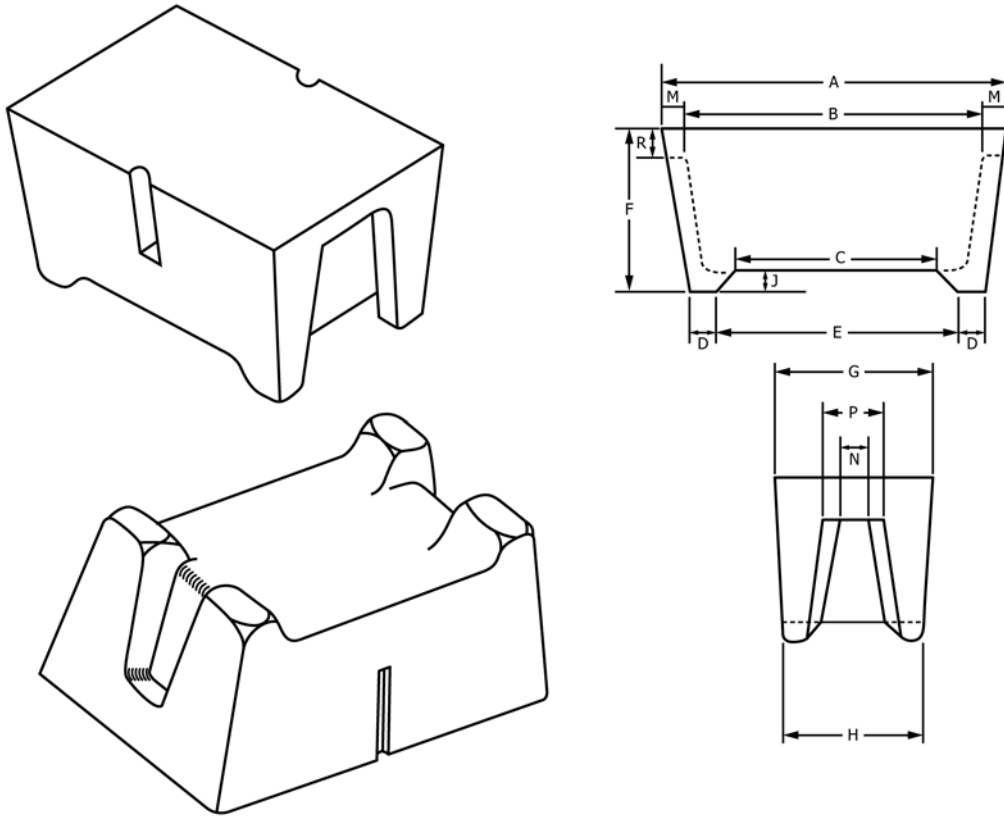


FIG. 3 Type 2 Block Ingot

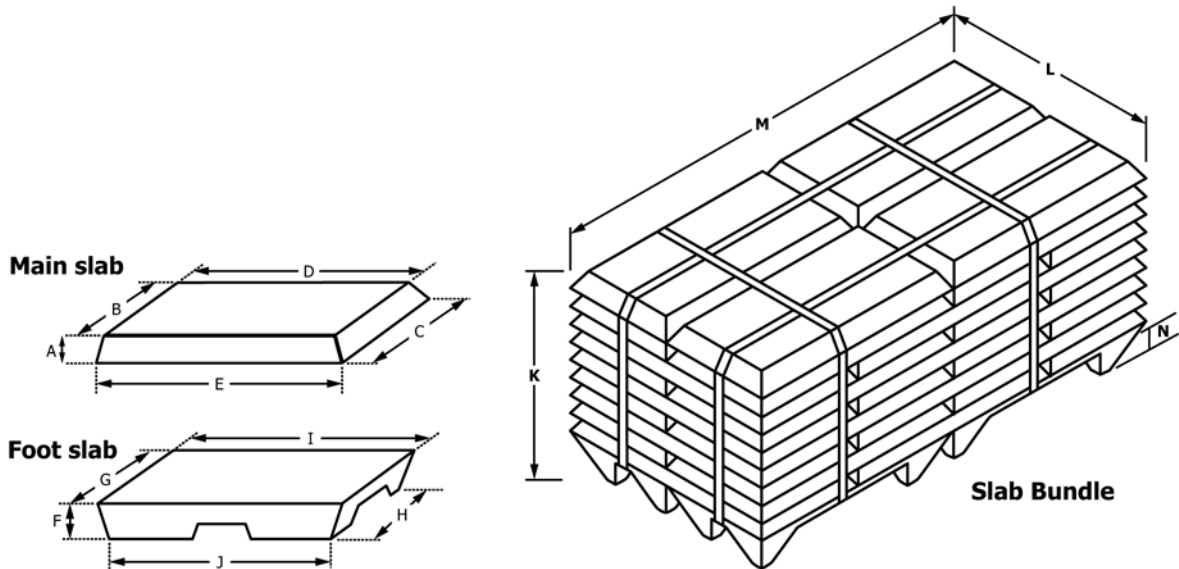


FIG. 4 Slab Ingot and Slab Bundle

## 7. Appearance

7.1 Jumbo, block, half block, or slab ingots, shall be reasonably free from dross, cracks, adhering foreign matter, undue surface oxide, and any “flash” that would interfere with handling and use.

## 8. Product Marking

8.1 All ingots shall be properly marked for identification in accordance with Specification **B949**, Section 10.

## 9. Keywords

9.1 block ingot; half block ingot; jumbo ingot; slab bundle; slab ingot; Type 1 block; Type 2 block; Type 1 half block; Type 2 half block; zinc; zinc alloys

## SUMMARY OF CHANGES

Committee B02 has identified the location of selected changes to this standard since the last issue (B897–10) that may impact the use of this standard. (Approved December 1, 2013.)

- |   |   |
|---|---|
| (1) The slab ingot and slab bundle configurations were added. Accordingly, revisions were made to Sections 3 and 6. | (3) Additional keywords were added.                         |
| (2) Table 4 and Figure 4 were added.  | (4) Vertical edge on Jumbo ingot in Figure 1 was corrected. |
|   | (5) Redundant labels were deleted from Figures 2 and 3.     |

*ASTM International takes no position respecting the validity of any patent rights asserted in connection with any item mentioned in this standard. Users of this standard are expressly advised that determination of the validity of any such patent rights, and the risk of infringement of such rights, are entirely their own responsibility.*

*This standard is subject to revision at any time by the responsible technical committee and must be reviewed every five years and if not revised, either reapproved or withdrawn. Your comments are invited either for revision of this standard or for additional standards and should be addressed to ASTM International Headquarters. Your comments will receive careful consideration at a meeting of the responsible technical committee, which you may attend. If you feel that your comments have not received a fair hearing you should make your views known to the ASTM Committee on Standards, at the address shown below.*

*This standard is copyrighted by ASTM International, 100 Barr Harbor Drive, PO Box C700, West Conshohocken, PA 19428-2959, United States. Individual reprints (single or multiple copies) of this standard may be obtained by contacting ASTM at the above address or at 610-832-9585 (phone), 610-832-9555 (fax), or [service@astm.org](mailto:service@astm.org) (e-mail); or through the ASTM website ([www.astm.org](http://www.astm.org)). Permission rights to photocopy the standard may also be secured from the Copyright Clearance Center, 222 Rosewood Drive, Danvers, MA 01923, Tel: (978) 646-2600; <http://www.copyright.com/>*