



# Standard Practices for Packaging/Packing of Aluminum and Magnesium Products<sup>1</sup>

This standard is issued under the fixed designation B660; the number immediately following the designation indicates the year of original adoption or, in the case of revision, the year of last revision. A number in parentheses indicates the year of last reapproval. A superscript epsilon ( $\epsilon$ ) indicates an editorial change since the last revision or reapproval.

*This standard has been approved for use by agencies of the U.S. Department of Defense.*

## 1. Scope\*

1.1 These practices describe methods of packaging/packing aluminum and magnesium products, in preparation for storage or shipment, both foreign and domestic. Assuming proper and normal handling in transit, these practices are designed to deliver the products to their destination in good condition. For DoD redistribution, see Supplementary Requirements.

1.2 The values stated in inch-pound units are to be regarded as standard. The values given in parentheses are mathematical conversions to SI units that are provided for information only and are not considered standard.

1.3 Aluminum and magnesium products must be preserved and packed so as to be adequately protected from possible damage during shipment and storage. Major damage types are:

1.3.1 Mechanical, including bending, crushing, denting, scratching, or gouging during handling and storage; and abrasions resulting from vibration during transport of the material.

1.3.2 Corrosion, or water stain, resulting from exposure of packed material to water, either externally applied, or as condensate caused by temperature variations in a humid atmosphere.

1.4 *This standard does not purport to address all of the safety concerns, if any, associated with its use. It is the responsibility of the user of this standard to establish appropriate safety and health practices and determine the applicability of regulatory limitations prior to use.*

## 2. Referenced Documents

### 2.1 ASTM Standards:<sup>2</sup>

[D779 Test Method for Water Resistance of Paper, Paperboard, and Other Sheet Materials by the Dry Indicator Method \(Withdrawn 2011\)](#)<sup>3</sup>

[D1732 Practices for Preparation of Magnesium Alloy Surfaces for Painting](#)

[D1974 Practice for Methods of Closing, Sealing, and Reinforcing Fiberboard Boxes](#)

[D3950 Specification for Strapping, Nonmetallic \(and Joining Methods\)](#)

[D3951 Practice for Commercial Packaging](#)

[D3953 Specification for Strapping, Flat Steel and Seals](#)

[D4727/D4727M Specification for Corrugated and Solid Fiberboard Sheet Stock \(Container Grade\) and Cut Shapes](#)

[D5168 Practice for Fabrication and Closure of Triple-Wall Corrugated Fiberboard Containers](#)

[D5486/D5486M Specification for Pressure-Sensitive Tape for Packaging, Box Closure, and Sealing](#)

[F1667 Specification for Driven Fasteners: Nails, Spikes, and Staples](#)

### 2.2 ANSI Standard:

[ANSI/AHA A135.4 Basic Hardboard](#)<sup>4</sup>

### 2.3 Federal Specifications:<sup>5</sup>

[A-A-1249 Paper, Wrapping, Tissue](#)

[A-A-1671 Tape, Gummed \(Paper, Reinforced, Asphalt Laminated\)](#)

[A-A-55057 Panels, Wood/Wood-Based; Construction and Decorative](#)

[PPP-B-566 Box, Folding, Paperboard](#)

[PPP-C-96 Can, Metal, 28 Gage and Lighter](#)

[PPP-D-705 Drum, Shipping and Storage: Steel 16 and 30 Gallon Capacity](#)

[PPP-D-723 Drum, Fiber \(inactive for new design\)](#)

[PPP-D-729 Drum, Shipping and Storage: Steel, 55 Gallon](#)

[PPP-P-704 Pails, Metal: \(Shipping, Steel, 1 through 12, Gallons\)](#)

[PPP-T-495 Tubes, Mailing, and Filing](#)

<sup>1</sup> These practices are under the jurisdiction of ASTM Committee B07 on Light Metals and Alloys and are the direct responsibilities of Subcommittee B07.03 on Aluminum Alloy Wrought Products.

Current edition approved May 1, 2015. Published June 2015. Originally approved in 1979. Last previous edition approved in 2008 as B660–08. DOI: 10.1520/B0660-15.

<sup>2</sup> For referenced ASTM standards, visit the ASTM website, [www.astm.org](http://www.astm.org), or contact ASTM Customer Service at [service@astm.org](mailto:service@astm.org). For *Annual Book of ASTM Standards* volume information, refer to the standard's Document Summary page on the ASTM website.

<sup>3</sup> The last approved version of this historical standard is referenced on [www.astm.org](http://www.astm.org).

<sup>4</sup> Available from American National Standards Institute (ANSI), 25 W. 43rd St., 4th Floor, New York, NY 10036, <http://www.ansi.org>.

<sup>5</sup> Available from Standardization Documents Order Desk, DODSSP, Bldg. 4, Section D, 700 Robbins Ave., Philadelphia, PA 19111-5098, <http://www.dodssp.daps.mil>.

\*A Summary of Changes section appears at the end of this standard

#### 2.4 Federal Standards:<sup>5</sup>

**APA-PS1** U.S. Product Standard (For Construction and Industrial Plywood)

**MIL-STD-3010** Test Procedures for Packaging Materials

#### 2.5 Military Specifications:<sup>5</sup>

**MIL-C-11796** Corrosion Preventive Compound, Petrolatum, Hot Application

**MIL-DTL-17667** Paper, Wrapping, Chemically Neutral (Non-Corrosive)

**MIL-PRF-121** Barrier Materials, Greaseproof, Waterproof, Flexible, Heat-Sealable

**MIL-PRF-16173** Corrosion Preventive Compound, Solvent Cutback, Cold Application

**MIL-PRF-32033** Lubricating Oil, General Purpose, Preservative (Water Displacing, Low Temperature)

**MIL-PRF-7870** Lubricating Oil: General Purpose, Low Temperature

#### 2.6 Military Standard:<sup>5</sup>

**MIL-STD-129** Marking for Shipment and Storage

#### 2.7 Other Standards:<sup>6</sup>

Aluminum Standards and Data-Protective Oil for Aluminum

### 3. Classification

3.1 *Levels of Protection*—The following levels of protection apply equally to preservation and packing:

3.1.1 *Level A*—The degree required for protection against the most severe conditions known or anticipated to be encountered during shipment, multiple rough handling, and intransit storage.

3.1.2 *Commercial Packaging*—The degree required for protection of material during shipment from supplier to user for immediate use or limited storage in a dry, heated storage facility. The methods and materials employed by the supplier to satisfy the requirements of the commercial distribution system to provide protection against corrosion, deterioration, and damage during shipment to a user may be used.

### 4. Terminology

#### 4.1 Definitions:

4.1.1 *corner protector, n*—protective material placed under ties to protect edges of a package.

4.1.2 *deckboard, n*—piece of lumber at right angles to stringers or skids of a pallet to form a bearing surface.

4.1.3 *filler, n*—piece of material placed in a package to fill void space for the purpose of squaring out the contents.

4.1.4 *framing member, n*—parts forming the main structure of a crate.

4.1.5 *gross weight, n*—bare item weight and the weight of all packaging and packing materials.

4.1.6 *header, n*—member of skid-type base used to join the ends of two or more skids and provide added strength to the base.

4.1.7 *interleaving, n*—placement of a sheet of protective material between two adjacent pieces of metal.

4.1.8 *net weight, n*—bare item weight.

4.1.9 *nominal, adj*—referring to lumber size, rough sawn commercial size of soft wood lumber common to the industry.

4.1.10 *splice, v*—to unite or join the ends of material such as lumber, plywood, or paper overlaid veneer.

4.1.11 *tension tied, v*—securement applied with mechanical tools.

### 5. General Requirements

5.1 *Materials, Methods, and Containers*—Materials, methods, and containers shall conform to the requirements of this standard. Those exceeding the requirements may be substituted as negotiated by purchaser and producer or supplier.

5.1.1 Materials not covered by applicable specifications or not specifically described herein shall be of high quality and shall be compatible with and protect the contents.

5.1.2 *Splicing Requirement*—When container members must be spliced to obtain the required length or width, the adjacent edges of the two pieces being spliced shall be butt-jointed as specified in 5.1.2.1 and each piece fastened to the splice board. The fastening shall conform to the requirements specified for construction of the panels being spliced. Nails must be clinched.

5.1.2.1 Splice boards shall be applied to extend on each side of the joint at least two times the width of and the same thickness as the box boards.

5.1.3 The inside dimensions of boxes shall be commensurate with the size of the item.

#### 5.2 Internal Packaging Materials:

5.2.1 *Material Compatibility*—Internal packaging materials shall not adversely affect the contents.

5.2.2 *Blocking and Bracing*—Articles not completely filling the shipping container shall be blocked, braced, fastened, or otherwise secured. Articles having projecting parts that may be broken or may puncture the container shall be rigidly supported, suspended, or otherwise protected. Clearance of at least 1 in. (25.4 mm) shall be provided between projecting parts and the adjacent inside face of the container. Blocking and bracing shall be prevented from coming in direct contact with any unprotected surface of the item by use of suitable cushioning material.

#### 5.3 Handling:

5.3.1 *General*—Containers and pallets in their shipping configuration shall be provided with lifting and hoisting provisions commensurate with their weight, size, and intended mode of transportation to ensure safe and efficient movement.

5.3.2 *Hoisting*—Convenient means shall be provided on all shipping containers (except Figs. S1.1-S1.4) and pallets weighing more than 200 lb (90.72 kg) gross which will permit hoisting by attaching suitable slings at the bottom of the containers and pallets.

5.3.3 *Forklift Truck Compatibility*—Unless otherwise specified herein and except Figs. S1.1-S1.4, boxes, containers, and pallets grossing over 200 lb (90.72 kg) must be capable of

<sup>6</sup> Available from Aluminum Association, Inc., 1525 Wilson Blvd., Suite 600, Arlington, VA 22209, <http://www.aluminum.org>.

being handled from at least two sides by forklift trucks. For DoD use, standard 40 by 48 in. (1016 by 1219.2 mm) pallets must have four-way forklift entry. Openings shall be a minimum of 3 in. (76.2 mm) high and at least 20 in. (508 mm) apart inside-to-inside, symmetrically about the center of balance. Containers may have a single opening 40 in. (1016 mm) wide or more to provide forklift access.

## 6. Detailed Requirements

6.1 *Packaging Preservation*—Packaging shall be Level A, or commercial preservation as follows:

6.1.1 *Level A*—Detailed requirements for packaging (preservation) of aluminum and magnesium products are listed alphabetically by product in **Table 1**. When Level A is specified, items shall be preserved in accordance with the detailed requirements outlined herein.

**TABLE 1 Packaging (Preservation) and Packing for Level A (Note—For Commercial Packaging, See Section 8)**

Product	Preservation (6.1.1)	Packing (Section 7) for Barrier, see Table 4	Maximum <sup>A</sup> Net Weight Per Container, lb (kg) (7.16)
Bar, rod and wire (cold-finished, drawn, extruded, rolled, and forged):			
Coiled, bare	AL-oiled, Mg-Chrome pickled (6.1.1.1-6.1.1.3)	Wrapped coils (Fig. 19). Wrap with one layer of Type IIB barrier.	120 (54.43)
Coiled, covered	none required	Wrapped coils (Fig. 19). Wrap with one layer of Type IIB barrier.	120 (54.43)
Spoiled for military requirements: 5, 10, 15, 20, 30, lb (2.27 kg, 4.54 kg, 6.80 kg, 9.07 kg, 13.61 kg) per spool (other: standard commercial weights)	none required	Wooden boxes (Figs. 1-4). Boxes shall be case-lined with one layer of Type IIA barrier or two layers of Type III barrier.	300 (136.08)
Straight lengths	AL-oiled, Mg-Chrome pickled (6.1.1.1-6.1.1.3)	Wooden boxes (Figs. 5-7). Boxes shall be case-lined with one layer of Type IIA barrier or two layers of Type III barrier.	1000 <sup>B</sup> (453.59)
		Corrugated fiberboard boxes, Class weather-resistant (S6.1)	300 (136.08)
		Fiber-drums (7.14)	200 (90.72)
Blooms and billets	See ingot	...	
Bus conductors (cold-finished, drawn, extruded and rolled)	See bar, straight lengths	...	
Cable (bare and covered):			
Size 1/0 and smaller	none required	Wrapped coils (Fig. 19). Wrap with one layer of Type IIB barrier.	(bare) 250 (113.40)
		or	(covered) 200 (90.72)
Size larger than 1/0	none required	Reels (Fig. 23).	(bare) 1250 (566.99)
		Reel (Fig. 23).	(covered) 1000 (453.59)
Size larger than 1/0	none required	Reel (Fig. 23).	(bare) 1600 (725.75)
			(covered) 1300 (589.67)
Casting and forgings, finished.	none required	Wooden boxes (Figs. 1-4) or Style 1 Crate Fig. 16). Boxes and crates shall be case lined with one layer of Type IIA barrier or two layers of Type III barrier.	2000 (907.18)
Castings and forgings, rough	none required	Bare bundles (Fig. 20).	1000 (453.59)
Conduit	See ANSI schedule pipe.	...	

**TABLE 1** *Continued*

Product	Preservation (6.1.1)	Packing (Section 7) for Barrier, see Table 4	Maximum <sup>A</sup> Net Weight Per Container, lb (kg) (7.16)
Extruded profiles (metal less than 1 lb per linear foot) <sup>C</sup>	AL-oiled, Mg-Chrome-pickled (6.1.1.1-6.1.1.3)	Wooden boxes (Fig. 5-7). Boxes shall be case lined with one layer of Type IIA barrier or	2000 (907.18)
Fittings (pipe and conduit)	AL-oiled, Mg-Chrome-pickled (6.1.1.1-6.1.1.3)	Corrugated fiberboard boxes, Class weather-resistant (S6.1) or	300 (136.08)
	External threads shall be covered with suitable thread protectors.	Wooden boxes (Figs. 1-4) or Style 1 crate (Fig. 16) dependent upon size of fittings. Boxes and crates shall be case lined with one layer Type IIA barrier.	100 (45.36)
Foil <sup>D,E,H</sup>			
Coiled	Foil shall be wound on aluminum fiber or steel cores. End of coil shall be secured with pressure sensitive tape. Sheared edges shall be protected from flanges and adjacent coils with suitable edge protectors. Each coil, or coils (see 7.10) shall be wrapped with aluminum 0.001 in. (0.0254 mm) thick aluminum foil.	Wooden boxes (Figs. 1-4). Coils shall be suspended by extended cores or wood dowels through the core. Core extension or dowel shall be inserted in wood flanges so that periphery of coil does not contact inner surface of box (Fig. 24). Minimum flange thickness shall be as specified in 7.10.	500 (226.80)
	Foil wrap shall be a conformable wrap completely enclosing the coil or coils and edge protectors on each core or dowel (Fig. 24).	Corrugated fiberboard boxes, Class weather-resistant (S6.1) suspended as above.	300 (136.08)
Flat	none required	Wooden boxes (Figs. 1-4). Contents shall be wrapped with one separate layer of Type IIA barrier.	500 (226.80)
		Corrugated fiberboard boxes, Class weather-resistant (S6.1)	300 (136.08)
Forgings	See castings	...	
Forging stock	See bar	...	
Impact extrusions	none required	Wooden boxes (Figs. 1-4). Boxes shall be lined with one layer of Type IIA barrier.	700 (317.51)
		Corrugated fiberboard boxes, Class weather-resistant (S6.1)	300 (136.08)
Ingots:			
500 lb (226.80 kg) per piece and over	none required	Loose	...
30–500 lb (13.61-226.80 kg) per piece	none required	Bare bundles (Fig. 22). Size of bundle straps shall be as shown in Table 7. A minimum of two straps shall be used per bundle.	3500 (1587.57)
Less than 30 lb (13.61 kg) per piece	none required	Pallets (Fig. 21). Size pallet straps shall be as shown in Table 7.	2500 (1133.98)
		Self-palletized bundle. Interlocking ingots that are self-palletized may be shipped in strapped bundles not over 42 in. (1066.8 mm) high. Bundle shall be strapped with a minimum of one ¾-in. (19.05 mm) steel strap.	1500 (680.39)
Grained and granulated ingot and shot	Product to be packed in wood boxes (Figs. 1-4), shall be packaged in Federal Specification PPP-B-566, boxes, folding, paperboard.	Wooden boxes (Figs. 1-4) or	500 (226.80)
		Federal Specification PPP-P-704 Steel Pails (7.12). Pails shall not be overpacked.	70 (31.75)

**TABLE 1** *Continued*

Product	Preservation (6.1.1)	Packing (Section 7) for Barrier, see Table 4	Maximum <sup>A</sup> Net Weight Per Container, lb (kg) (7.16)
		Federal Specification PPP-D-705 and PPP-D-729 Steel Drums (7.13). Drums shall not be overpacked. or	650 (294.84)
		Federal Specification PPP-D-723 Fiber Drums (7.15). Drums shall not be overpacked.	550 (249.48)
Paste and powder	Product to be packed in wooden boxes (Figs. 1-4) shall be packaged in 1 (0.45), 2 (0.91), or 10 (4.54) lb (kg) friction top can in accordance with Federal Specification PPP-C-96, Type V, Class 2.	Wooden boxes (Figs. 1-4). or Federal Specification PPP-D-705 or PPP-D-729 Steel Drums (7.13). Drums shall not be overpacked.	50 (22.68) 600 (272.16)
Plate: <sup>F</sup>			
Flat and tapered	Al see Table 2, Mg see Table 3.	Pallets (Figs. 9-12) with pallet enclosures (Fig. 13, Fig. 14, and Fig. 15). Contents shall be wrapped with one layer of Type IIA barrier or two layers of Type III barrier.	4000 (1814.37)
Circles	Al see Table 2, Mg see Table 3.	Pallets (Figs. 9-12) with pallet enclosures (Fig. 13, Fig. 14, and Fig. 15). Contents shall be wrapped with one layer of Type IIA barrier or two layers of Type III barrier.	4000 (1814.37)
Floor and tread Plate and abrasive Tread plate	none required	Pallets (Figs. 9-12). Secure contents to pallet with minimum two lengthwise and two girthwise straps, size 1¼ by 0.031 in. (31.75 mm by .787 mm)	10 000 (4535.92)
Screw machine stock	See bar	...	
Sheet: <sup>G,H</sup>			
Flat and tapered  90 lb (40.82 kg) per piece or less or 15 ft (4.572 m) in length or less	Al see Table 2, Mg see Table 3.	Pallet enclosure (Fig. 15)  Contents of box shall be wrapped with two layers of Type IIA barrier or one layer of Type IIA barrier and one layer of Type III barrier.	4000 (1814.37)  (Not to exceed 200 sheets)
Over 90 lb (40.82 kg) per piece or over 15 ft (4.572 m) in length	Al see Table 2, Mg see Table 3.	Pallets (Figs. 9-12) with pallet enclosures (Fig. 13 and Fig. 14). Contents shall be wrapped with two layers of Type IIA barrier.	4000 (1814.37)
Coiled	Al-coiled, Mg-Chrome-pickled (6.1.1.1-6.1.1.3)	Pallets (Figs. 9-12) with pallet enclosure (Fig. 14). Contents shall be wrapped with one layer of Type IIA barrier or two layers of Type III barrier.	4000 (1814.37)
Roofing and siding	none required	Pallets (Figs. 9-12) with pallet enclosures (Fig. 13 and Fig. 14). Contents shall be wrapped with one layer of Type IIA barrier.	4000 (1814.37)
Structural profiles (extruded and rolled) <sup>G</sup>			
Less than 150 lb (68.04 kg) per piece	Al-none required. Mg-Chrome-pickled.	Wooden boxes (Figs. 5-7). Boxes shall be case lined with one layer of Type IIA barrier or two layers of Type III barrier. or Corrugated fiberboard boxes, Class weather-resistant (S.1.7.1)	1000 (453.59) 300 (136.08)
150 lb (68.04 kg) per piece and over	Al-none required. Mg-Chrome-pickled.	Loose	...

TABLE 1 Continued

Product	Preservation (6.1.1)	Packing (Section 7) for Barrier, see Table 4	Maximum <sup>A</sup> Net Weight Per Container, lb (kg) (7.16)
Tubular products (drawn, extruded, and welded):			
Coiled	Al-oiled, Mg-oiled (6.1.1.1-6.1.1.3). Stagger wound coils shall be tied through the core in two places with twine or pressure sensitive tape. Pancake or level layer wound coils shall not be tied.	Style 1 crates (Fig. 16). Crates shall be case lined with one layer of Type IIA barrier.	700 (317.51)
Straight lengths	Al-oiled, Mg-Chrome-pickled (6.1.1.1-6.1.1.3). When the wall thickness of tube is less than 2½ % of the outside diameter, boxes shall be lined with suitable cushioning material.	Wooden boxes (Figs. 5-7). Boxes shall be case lined with one layer of Type IIA barrier, or Corrugated fiberboard boxes Class weather-resistant (S6.1). or Fiber tubes (7.16).	300 (136.08)
ANSI schedule pipe	Al-no preservative required. Mg-Chrome pickled (6.1.1.1-6.1.1.3). External threads shall be covered with suitable protectors.	Wooden boxes (Figs. 5-7). Boxes shall be case lined with one layer of Type IIA barrier or two layers of Type III barrier. or Style 2 and 3 crates (Fig. 17 and 18). Crates shall be case lined with one layer of Type IIA barrier. or Fiber tubes (7.16).	800 (362.87)
Construction pipe	Al-no preservative required. Mg-Chrome pickled (6.1.1.1-6.1.1.3).	Same as for ANSI scheduled pipe above.	4000 (1814.37)
Welding and brazing rod			
Coiled	none required	Wrapped coils (Fig. 19). Wrap with one layer of Type IIA barrier or two layers of Type III barrier.	200 (90.72)
Straight lengths, 36 in. (914.4 mm)	Package 5 lb (2.27 kg) per fiber tube with metal ends or 10 lb (4.54 kg) per fiberboard carton. 10 fiber tubes or 8 cartons shall be overpacked in a weather-resistant fiberboard carton in accordance with Practice D1974. All corners and seams of boxes, including manufacturer's joint, shall be sealed with Specification D5486/D5486M, Type III or IV, Class 1, minimum 2 in. (50.8 mm) wide tape.	Wooden boxes (Figs. 1-4). Fiberboard boxes shall be overpacked in wooden boxes.	200 (90.72)
Inert gas welding electrode	1, 5, 10, 12½, 15, or 30 lb (.45 kg, 2.27 kg, 4.54 kg, 5.67 kg, 6.80 kg, or 13.61 kg) spools. Individual spools shall be adequately protected by application of moisture-resistant barrier and packaged single or in multiple in fiberboard boxes Practice D1974, Type CF, Class weather-resistant.	Fiberboard boxes in accordance with Practice D1974, Type CF, Class weather-resistant, Grade V3c. All corners and seams of boxes, including manufacturer's joint, shall be sealed with Specification D5486/D5486M, Type III or IV, Class 1, minimum 2 in. (50.8 mm) wide tape. Three 5/8 by 0.015 in. (15.88 by .381 mm) flat steel straps, one lengthwise and two girthwise, shall be applied to each box. Maximum gross weight and dimensions of the box specification shall not be exceeded. or Wooden boxes (Figs. 1-4). Intermediate fiberboard boxes overpacked in wooden boxes, shall be closed in accordance with the closure method prescribed above for the fiberboard shipping in wooden containers.	See Packing
			1000 (453.59)

<sup>A</sup> Maximum weights specified in this table are for shipments to DoD only.

<sup>B</sup> Weight may be increased to 2000 lb (907.18 kg) for large quantities for manufacturing when specified in the contract or order.

<sup>C</sup> For metal weighing 1 lb (.45 kg)/linear foot or more, see structural profiles.

<sup>D</sup> Foil is sheet metal less than 0.0079 in. (0.200 mm) thick.

<sup>E</sup> Foil for food handling applications shall be preserved and packed as specified in the contract or order.

<sup>F</sup> Classification of sheet and plate: Sheet is 0.006 through 0.249 in. (.152 through 6.32 mm) thick; plate is 0.250 in. (6.35 mm) and thicker.

<sup>G</sup> For metal weighing less than 1 lb (.45 kg)/linear foot, see extruded profiles.

<sup>H</sup> There is an overlap in the thickness range 0.006 to 0.0079 in. defined for foil and sheet. Sheet products in this thickness range are supplied to sheet product specifications and foil products in this thickness range are supplied to foil product specifications.

6.1.1.1 *Cleanliness*—Surfaces shall be commercially clean, and free from loose mill scale, dirt, foreign matter, or corrosion. The presence of residual rolling oil shall not be considered foreign matter.

6.1.1.2 *Preservatives*—Oil used for preservation of aluminum products shall conform to the requirements of Aluminum Standards and Data-Protective Oil for Aluminum, MIL-PRF-32033 or MIL-PRF-7870. Oil used for preservation of magnesium products shall conform to the requirements of MIL-PRF-16173, Grade 2, or MIL-C-11796, Class 3. Chrome pickle treatment of magnesium products shall conform to the requirements of Practices **D1732**.

**TABLE 2 Preservation of Aluminum Sheet and Plate**  
(See Table 1)

Product	Preservation <sup>A,B</sup>
Abrasive tread plate	None required
Flat and tapered sheet and plate, and all circles:	
Clad, all alloys:	None required
Circles less than 12 in. (304.88 mm) in diameter	
Flat, tapered and circles 12 in. (304.88 mm) in diameter and over	Interleaved
Nonclad:	
Circles less than 12 in. (304.88 mm) in diameter	None required
Flat, tapered and circles 12 in. (304.88 mm) in diameter and over:	
Heat-treatable alloys, all tempers <sup>B</sup>	Oiled (6.1.1.1 – 6.1.1.3) <sup>C</sup>
Non-heat-treatable alloys: <sup>B</sup>	
Annealed	Interleaved (6.1.1.4)
Other than annealed:	
0.060 in. (1.524 mm) thick and over	Interleaved (6.1.1.4)
Less than 0.060 in. (1.524 mm) thick	Oiled (6.1.1.1 – 6.1.1.3) <sup>C</sup>
Painted, chemical conversion coated,	Interleaved (6.1.1.4)
and anodized sheet and plate	
Floor and tread plate	None required
Coiled sheet	Oiled (6.1.1.1 – 6.1.1.3) <sup>C</sup>
Perforated sheet	Oiled (6.1.1.1 – 6.1.1.3) <sup>C</sup>
Roofing and siding sheet	None required

<sup>A</sup> Interleaving paper shall be Type 1 paper (Table 4). For metal 0.090 in. (2.29 mm) thick and less interleaving paper shall be minimum 10-lb basis weight; for metal over 0.090 in. (2.29 mm) thick interleaving paper shall be minimum 15-lb basis weight.

<sup>B</sup> Heat-treatable alloys are the 2000, 6000, and 7000 groups. Non-heat-treatable alloys are the 1000, 3000, and 5000 groups.

<sup>C</sup> For other than DOD requirements, oil at mill option.

**TABLE 3 Preservation of Magnesium Sheet and Plate**  
(See Table 1)

Product	Preservation <sup>A,B</sup>
Flat sheet and plate:	
Less than 0.005 in. (.127 mm) thick	Oiled (6.1.1.1 – 6.1.1.3)
	or
	Oiled and interleaved (6.1.1.1 – 6.1.1.4)
	or
	Chrome-pickled and interleaved
0.005 in. (.127 mm) and thicker	None or Oiled (6.1.1.1 – 6.1.1.3)

<sup>A</sup> Interleaving paper shall be as specified for aluminum sheet and plate (Table 2 Footnote A).

<sup>B</sup> Preservation desired must be as specified in the contract or order.

6.1.1.3 *Application of Preservative Coating*—The application of corrosion-preventive material demands careful attention; compounds shall not be applied to surfaces that show signs of moisture, condensation, frost, dirt, or other contaminants. The maximum corrosion resistance is obtained only by a thorough coating of a contaminant-free surface. It is essential that articles treated are not unduly handled until film is set. Application may be by dipping, brushing, rolling, spraying, or flowing onto the surface.

6.1.1.4 *Interleaving*—The interleaving paper shall fully cover the metal; for manual application, paper shall extend 1 in. (25.4 mm) beyond sides and ends, for machine application, paper may be same size as the metal provided the metal is fully covered.

6.1.1.5 *Wraps*—Application of wraps shall be in accordance with Table 1. Products may be machine-wrapped or hand-wrapped.

6.1.2 *Commercial Preservation*—When commercial preservation is specified, items will be given the degree of protection normally employed by the supplier against corrosion, deterioration, and damage during shipment.

## 6.2 Material Requirements:

6.2.1 *Fiberboard*—Fiberboard for boxes and liners shall conform to the requirements of Specification **D4727/D4727M**, class weather-resistant.

6.2.2 *Paper and Barrier Material*—Paper and barrier material shall conform to the requirements of Table 4.

6.2.3 *Wood*—The species of wood indicated in Table 5 and classified into groups as shown shall be used. The groups are set up to include, in any one group, species of woods that have approximately similar characteristics important to box design. These characteristics include density, flexural and compressive strength, stiffness, shock absorption, and nailholding power. When any species of wood is specified, any one or more

**TABLE 4 Minimum Requirements for Paper and Barrier Materials (See Table 1)<sup>A</sup>**

Type	Tensile Strength in Weaker Direction FTMS 2038	Stretch in Creped Direction FTMS 2038	Contact Corrosivity FTMS 3005	Oil Resistance FTMS 3017	Water Resistance Test Method D779	Military/Federal Specification
I. Interleaving: <sup>B</sup>						
A. 10 lb (4.54 kg), uncreped	1½		No corrosion	No delamination, embrittlement, or disintegration		A-A-1249, Tp II
B. 30 lb (13.61 kg), uncreped	10					MIL-DTL-17667, Tp 1 <sup>C</sup>
II. Exterior and interior						
A. Uncreped <sup>D</sup>	65	...	No corrosion	No penetration for 24 hr min and no delamination, embrittlement, or disintegration	24	
B. Creped <sup>EF</sup>	35	20			24	
III. Exterior and interior wrap, non-reinforced						
A. Uncreped	30	...	No corrosion	No penetration for 24 h min and no delamination, embrittlement, or disintegration	24	MIL-PRF-121:
B. Creped	25	15			24	Tp I, Gd A, Cl 1 Tp I, Gd A, Cl 2

<sup>A</sup> The minimum requirements listed in Table 4 are based on the results of tests performed in accordance with the test methods outlined in MIL-STD-3010, and Test Method D779.

<sup>B</sup> Interleaving paper shall be nonabrasive to aluminum surfaces, and have a hydrogen ion concentration (pH) of between 4.5 and 7.5.

<sup>C</sup> Except that spring back and identification requirements shall not apply, that the pH value shall be that shown in Footnote B, and that corrosive properties shall be tested for aluminum and magnesium only.

<sup>D</sup> Shall have random dispersed reinforced, or a reinforcement spacing not less than 12 threads per foot (39 threads per meter) in both directions.

<sup>E</sup> Shall have random dispersed reinforcement, or a reinforcement spacing not less than 12 threads per foot (39 threads per meter) in the longitudinal direction.

<sup>F</sup> Tensile strength shall apply only in the reinforced direction.

**TABLE 5 Species of Wood**

Group I	Group II	Group III	Group IV
Alder, red	Douglas fir	Ash (except white ash)	Ash (white)
Aspen (popple)	Hemlock		Beech
Basswood	Larch (tamarack)	Elm, soft	Birch
Buckeye	Pine, Southern	Gum, red or black	Cherry
Butternut	yellow	Maple, soft or California	Elm, hard
Cedar	Western larch		Hackberry
Chestnut		Oak, California	Hickory
Cottonwood		Sweetgum	Locust
Cypress		Sycamore	Maple, hard
Fir ( <i>Abies sp</i> )		Tupelo	Oak
Magnolia			Pecan
Pine (except Southern yellow)			
Redwood			
Spruce			
Willow			
Yellow poplar			

species in the same group may be used. Groups I and II may be interchanged. Groups III and IV may be interchanged.

6.2.4 *Lumber*—All lumber dimensions used in these practices are nominal sizes except where minimum sizes are specified. At least one surface, which is to be placed on the outside of boxes, crates, or pallet closures, shall be sufficiently smooth to permit legible marking, stenciling, or printing. Pieces shall be cut true to length. The boards shall be free of defects that materially weaken them, expose the contents of the box to damage, or interfere with the prescribed fabrication or nailing.

6.2.5 *Plywood*—Unless otherwise specified, plywood used to fabricate cleated panels shall conform to Federal Specification Product Standard APA-PS1 and Federal Specification A-A-55057, standard interior (Grade C-D) with exterior glue.

6.2.6 *Hardboard*—Unless otherwise specified, hardboard shall be in accordance with ANSI/AHA A135.4. When appropriate, hardboard or other composite boards may be used in lieu of plywood for panel stock provided that they are weather resistant and are so sized that they will perform to the same level as plywood.

6.2.7 *Nails and Staples*—Nails and staples shall conform to Specification F1667 or equivalent. All unclined nails shall be cement-coated or chemically etched, except for Style 18 (spiral-shanked) and ring-shanked nails which are also acceptable.

6.2.8 *Strapping*—Flat steel strapping shall conform to Specification D3953, Type 1, Finish A. Equivalent nonmetallic strapping conforming to Specification D3950 may be used when comparable strength requirements are satisfied.

6.2.9 *Tapes*—Tapes shall conform to the requirements of Federal Specifications A-A-1671 or Specification D5486/D5486M as applicable.

6.3 *Packing*—Packing shall be Level A or commercial packing in accordance with Sections 7 and 8.

NOTE 1—Only one type, class, or size of material shall be packed in a single container.

## 7. Level A Packing

7.1 *General*—When Level A is specified in the contract or order, items shall be packed in accordance with the requirements in Table 1. When Table 1 provides a choice of several containers for a particular product, any one of the containers may be selected for use, unless specifically prohibited by the contract or order. This section provides requirements applicable to packing procedures and construction details for containers and methods not covered by specification reference.



7.2 Boxes (Figs. 1-7)—When required by Table 1, boxes shall be constructed as follows:

7.2.1 Top and Bottom Panels—Top and bottom panels shall consist of a complete covering of lumber. Panels for boxes, Figs. 1-5, shall be without cleats. Panels for boxes, Fig. 6 and Fig. 7, shall be with cleats. Thickness of panels shall be in accordance with Table 6.

7.2.2 Side and End Panels—Side and end panels shall consist of a complete covering of lumber, unless otherwise specified. Thickness and panels shall be in accordance with Table 6.

7.2.2.1 Panels for boxes, Fig. 1 and Fig. 5, 1½ in. (292.1 mm) or less in depth and not more than 16 ft (4.88 m) long shall be of one-piece construction and without cleats, except that end panels may be two-piece, cross-grain-laminated to obtain the required thickness. Side panels more than 16 ft (4.88 m) long may be of two-piece butt joint and splice construction (5.1.2) without cleats.

7.2.2.2 Panels for boxes, Figs. 2-4 and Figs. 6 and 7, more than 1½ in. (292.1 mm) in depth shall be with cleats, except for side panels for boxes, Figs. 2-4.

7.2.3 Cleats—When required by 7.3.2.1 and 7.3.2.2 cleats shall be in accordance with Table 6. Cleats shall be nailed or stapled.

7.2.3.1 Positioning of Cleats—Cleats for end panels, Fig. 2 and Fig. 4, shall be placed across the grain of the panel board coverings and extend to within ⅛ in. (3.175 mm) of the inside surface of the top and bottom panels when the containers are closed. Cleats for end panels, Fig. 3, shall be placed across the grain of the panel board coverings and extend to within ⅛ in. (3.175 mm) of the outside surface of the top and bottom panels when the containers are closed. Cleats for Figs. 6 and 7 containers shall be set-in not more than 6 in. (152.4 mm) from the container ends and spaced a maximum of 65 in. (1651 mm) apart.

7.2.4 Box Skids—Boxes with a gross weight of 200 lb (90.72 kg) or over shall be provided with a minimum of two nominal 4 by 4-in. (101.6 by 101.6 mm) skids. As an alternative, skids may be fabricated from two pieces of laminated 2 by 4-in. (50.8 by 101.6 mm) (nominal) lumber.

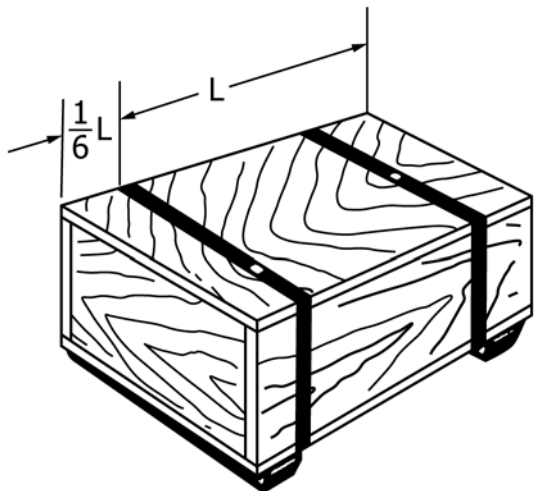


FIG. 1 Style 1 Nail Wood Box<sup>A</sup>

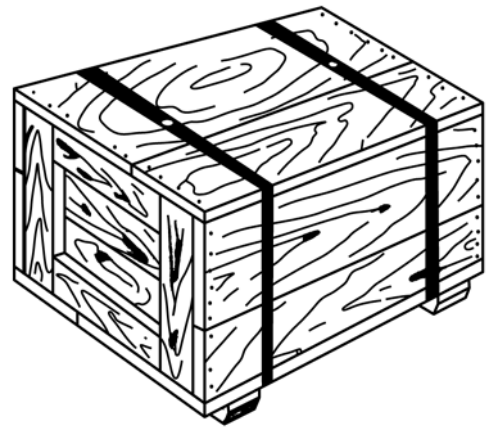


FIG. 2 Style 2 Nail Wood Box<sup>A</sup>

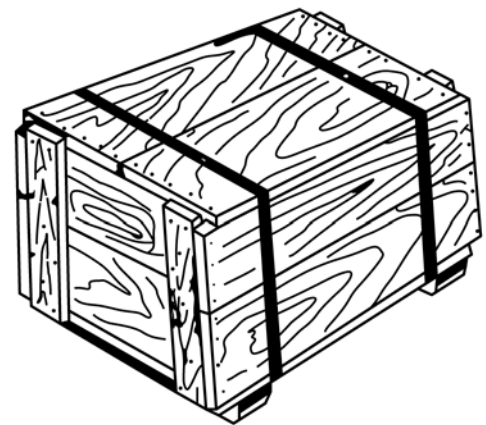
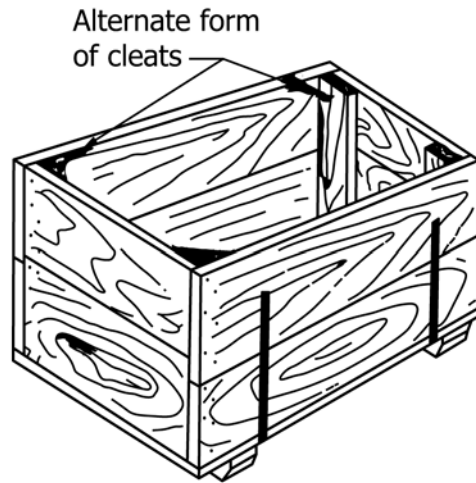


FIG. 3 Style 4 Nail Wood Box<sup>A</sup>

Skids shall replace exterior cleats on box bottom when cleats are required. Skids shall be placed parallel to and extend the full width of the box and shall be positioned not closer than 2½ in. (63.5 mm) nor more than one sixth the length of the box from each end of the box. The distance between skids measured between the inside edges shall not exceed 65 in. (1651 mm). Additional skids, as required, shall be positioned so as to divide the distance between the end skids into units of equal length. The skids shall be notched, as applicable, to provide clearance for strapping. The skids shall be secured to the box by nails specified in 6.2.7. The nails shall be driven from the inside through the bottom into the skids (in two staggered rows) and shall penetrate a minimum of ¾ (19.05 mm) the thickness of the skids. Nails conforming to Type II, screw-shanked of Specification F1667 or equivalent ring-shanked, shall be of adequate length to penetrate a minimum of ¾ (19.05 mm) the thickness of the skids and shall not protrude through the skids. The bottom half of skid ends may be beveled at an angle of 45°.

7.2.5 Strapping—Size of strapping shall not be less than that shown in Table 7.

7.2.5.1 Strap Spacing—Straps shall be placed over all girthwise cleats. On boxes without girthwise cleats, Figs. 1-5, girthwise straps shall be set in from each end a distance equal to one sixth the length of the box or 6 in. (152.4 mm),



**FIG. 4 Style 5 Nail Wood Box<sup>A</sup>**

- <sup>A</sup> These boxes are for:
- (1) Grained and granulated ingot and shot;
  - (2) Paste and powder,
  - (3) Fittings—(pipe and conduit);
  - (4) Spooled bar, rod, wire;
  - (5) Castings and forgings, finished;
  - (6) Foil, coiled and flat;
  - (7) Impact extrusions;
  - (8) Welding and brazing rod, straight; and
  - (9) Inert gas welding electrodes.

whichever distance is smaller, and spaced at intervals not exceeding 65 in. (1651 mm) (Fig. 5).

### 7.3 Pallet Construction (see Figs. 8-12):

7.3.1 *Skid Ends (Runner)*, Fig. 8—Skid ends may be cut with a dado or beveled to facilitate sliding skid over an uneven surface. When straps are placed over skids, skids shall be notched out to retain strapping.

7.3.2 *Lengthwise Skids (Runners)*, Fig. 9—For pallets 52 in. (1320.8 mm) wide or less, two skids shall be used and for pallets over 52 in. (1320.8 mm) wide, three skids shall be used. When three skids are required, one skid shall be placed in the center of the pallet. Skids shall be fabricated from nominal 4 by 4-in. (101.6 by 101.6 mm) Group III or IV wood.

7.3.2.1 *Rubbing Strips*—Rubbing strips shall be added to pallets 60 in. (1524 mm) or more in length. Rubbing strips shall be a minimum of 3 in. (76.2 mm) high by 3 in. (76.2 mm) wide, fabricated from laminated 2 by 4 in. (50.8 by 101.6 mm) nominal lumber and shall be attached to the skids in such a manner as to provide four way forklift entry. The bottom half of the rubbing strip shall be beveled at a 45° angle.

7.3.2.2 *Headers*—Headers are optional except for DoD shipments. When required, headers shall be fabricated from nominal 4 by 4 in. (101.6 by 101.6 mm) lumber and shall be bolted to skid ends with ½ by 8 in. (12.7 by 203.2 mm) carriage bolts. Skids shall be of sufficient length for metal contents to be placed between the headers.

7.3.3 *Crosswise Skids (Runners)*—Fig. 10 illustrates the general arrangement for use on skids perpendicular to the deck boards. The skid dimensions shall be a minimum 3 in. (76.2 mm) high by 3 in. (76.2 mm) wide. Metal less than 5 ft (1.52 m) long may be packed on pallets using crosswise skids.

7.3.4 *Double-Faced Pallets*, (Figs. 11 and 12)—Skids shall be 3 by 4-in. (76.2 by 101.6 mm) or 2 by 6-in. (50.8 by 152.4 mm) lumber or may be constructed of laminated 1 by 6-in. (25.4 by 152.4 mm) or spliced 2 by 6-in. (50.8 by 152.4 mm) lumber. Joints in spliced 2 by 6-in. (50.8 by 152.4 mm) skids shall be reinforced with 2 by 6-in. (50.8 by 152.4 mm) splice boards, long enough to contact the three stringers as shown in Fig. 12. Stringers shall be minimum 3 by 3 in. (76.2 by 76.2 mm) (and may be fabricated from single piece lumber or laminated lumber of nominal 2 by 4 in. (50.8 by 101.6 mm) and larger. The end stringers shall be placed not more than 1 in. (25.4 mm) from the ends of the skids and deckboards. Additional stringers shall be spaced approximately 42 in. (1066.8 mm) apart on center. Intervals between the last two stringers may vary but shall not exceed 48 in. (1219.2 mm). For plate ½ in. (12.7 mm) thick and over, spacing of stringers may be increased but shall be such as to prevent sagging of metal between stringers. The stringers shall be placed so as not to interfere with center side forklift handling.

7.3.5 *Deckboards*—Deckboards shall be a minimum of 1 by 6-in. (25.4 by 152.4 mm) (nominal) lumber spaced a maximum of 8 in. (203.2 mm) apart. For plate ½ in. (12.7 mm) thick and over, spacing of deckboards shall be such as to prevent sagging of metal between deckboards.

7.3.6 *Nailing*—Nails shall be driven so that the head will not project above the surface of the deckboard. Occasional over-driving of nails will be permitted but no nail shall be overdriven more than ½ the thickness of the deckboard. Nails used in construction of pallets shall be Type II, Style 18 (screw-shanked) or equivalent ring-shanked of Specification F1667 (pallet nails).

### 7.4 Pallet Enclosure Construction (see Figs. 13 and 14):

7.4.1 *Sides and Ends*—One-piece sides shall not be less than ½ in. (12.7 mm) thick and one-piece ends shall not be less than ¾ in. (19.05 mm) thick. When sides and ends exceed 11½ in. (292.1 mm) in height (Fig. 14), they shall be constructed like style 4 box (Fig. 3) and shall be not less than ¾ in. (19.05 mm) thick.

7.4.1.1 *Side and End Battens (Cleats)*—When sides and ends are of Fig. 14 construction, minimum 1 by 4-in. (25.4 by 101.6 mm) battens and cleats shall be used. Side battens shall be placed under girthwise straps. End cleats shall be nailed.

7.4.2 *Tops*—Tops shall be of minimum ½-in. (12.7 mm) thick lumber, ½-in. (12.7 mm) thick plywood, ¼-in. (6.35 mm) thick hardboard or equivalent materials.

7.4.2.1 *Top Battens*—Top battens shall be minimum 1 by 4-in. (25.4 by 101.6 mm) lumber. For lumber tops, battens shall be placed under each girthwise strap. For plywood and hardboard tops, battens shall be used only when the top consists of more than one piece of plywood or hardboard and shall be placed over each joint and underneath each girthwise strap.

7.4.3 *Nailing Sides, Ends and Tops*—When pallet enclosures are of Fig. 14 construction, sides, ends, and tops shall be nailed using good commercial practice. Sides, ends, tops, and bottoms shall not be nailed on pallet enclosures 11½ in. (292.1 mm) or less in height, or for pallets of flat plate, roofing, and siding sheets unless specified in the contract or order.

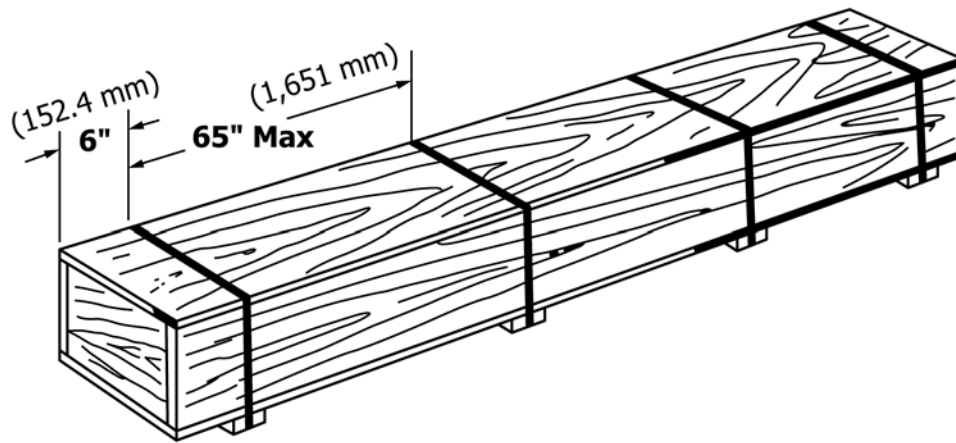


FIG. 5 Style 1 Nail Wood Box<sup>B</sup>

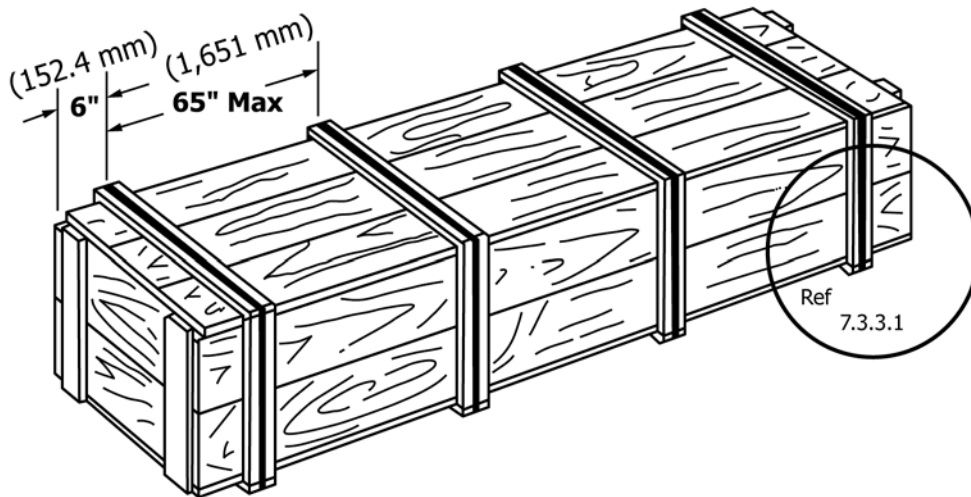


FIG. 6 Style 4 Nail Wood Box<sup>B</sup>

7.4.4 *Strapping*—Flat steel strapping shall be minimum  $\frac{3}{4}$  by 0.023 in. (19.05 by .58 mm) for pallets containing 4000 lb (1814.37 kg) net weight or less and  $1\frac{1}{4}$  by 0.031 in. (31.75 by .79 mm) for pallets containing over 4000 lb (1814.37 kg) net weight.

7.4.4.1 *Strap Spacing*—A minimum of two lengthwise straps shall be used for widths less than 60 in. (1524 mm) and three lengthwise straps for widths 60 in. (1524 mm) and over. Lengthwise straps may be located under skids or under deckboards along side skids. Girthwise straps shall be placed not more than 9 in. (228.6 mm) from each end. Intermediate straps shall be applied at approximately 42-in. (1066.8 mm) intervals and at plywood and hardboard joints. Girthwise straps shall pass between the deckboards and stringers or skids (Figs. 13 and 14).

7.5 *Pallet Enclosure Construction, 4000 lb (1814.37 kg) Capacity for Aluminum Sheet* (see Fig. 15)—End panels shall be minimum 12 in. (304.8 mm) length. Side panels shall be minimum 24 in. (609.6 mm) length. End and side panels fit snug against the load of aluminum sheets to prevent shifting. End and side panels may be secured by toe nailing or angle brackets. Pallet construction shall be in accordance with 7.3

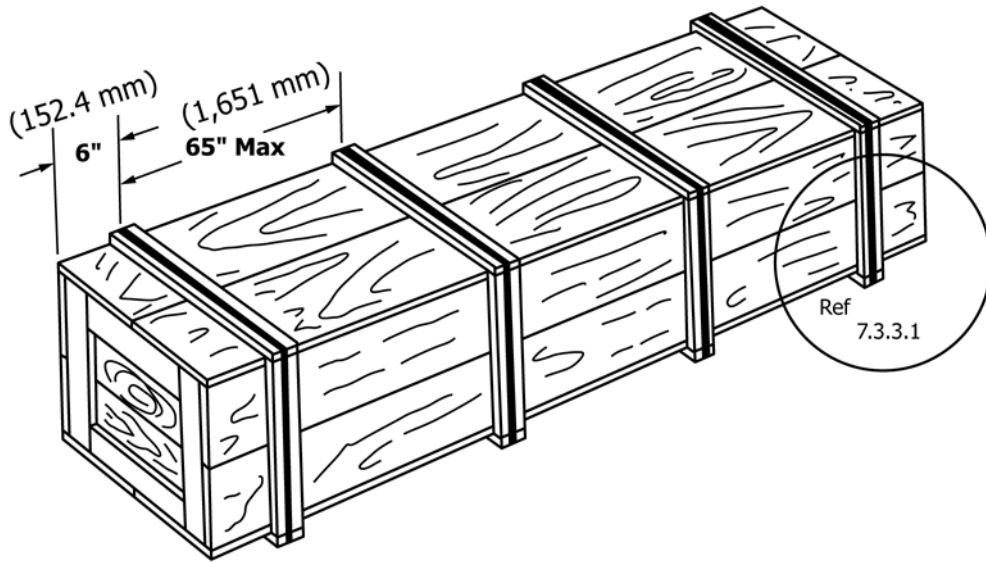
and Figs. 9-12, modified as shown in Fig. 15. Headers are not required. Pallet enclosure construction shall be in accordance with paragraphs under 7.4 except 7.4.3, nailing, does not apply. Sides, ends, and top shall be nailed so the enclosure can be removed and replaced as a cover. Pallet enclosure shall fit over the end and side panels and shall not extend outside of pallet dimensions.

7.6 *Crates* (see Figs. 16-18):

7.6.1 *Style 1 Crate* (Fig. 16)—Open crate for net weights not exceeding 700 lb (317.51 kg) and interior dimensions not exceeding 48 in. (1219.2 mm) long by 42 in. (1066.8 mm) wide by 48 in. (1219.2 mm) high.

7.6.1.1 *Fabrication*—Style 1 crates shall be constructed of 1 by 4-in. (25.4 by 101.6 mm) lumber framing members, struts, and diagonals arranged as shown in Fig. 16. Spacing between struts shall be such as to prevent loss of contents. Diagonals may be placed on the inside or outside.

7.6.1.2 *Nailing*—Cement coated or chemically etched 7d nails shall be used. Bright nails may be used instead of coated or etched nails for Groups III and IV woods. Framing members and struts shall be fastened with a minimum of two nails at



**FIG. 7 Style 2 Nail Wood Box<sup>B</sup>**  
<sup>B</sup> For Bar, Rod, Shapes, Tubular Products and Wire

**TABLE 6 Wooden Boxes<sup>A</sup> (Groups I and II Woods)<sup>B</sup> (Figs. 1-7)**

Weight of Contents lb (kg)	Length of Box in. (mm)	Style of Box	Figure Number	Sides, Top, and Bottom (Minimum Thickness) in. (mm)	Ends (min thick) in. (mm)	End Cleats (Minimum Thickness and Width), in. (mm)	Additional Cleats (Minimum Thickness and Width) in. (mm)
Less than 350 (158.76)	Less than 60 (1524)	1	1	1/2 (12.7)	1 1/2 (38.1)	...	...
Less than 350 (158.76)	60 (1524) and over	1	5	5/8 (15.88)	1 1/2 (38.1)	...	...
Less than 350 (158.76)	Less than 60 (1524)	2, 4, or 5	2, 3, and 4	1/2 (12.7)	3/4 (19.05)	3/4 (19.05) by 2 1/2 (63.5)	...
Less than 350 (158.76)	60 (1524) and over	2 or 4	6 and 7	5/8 (15.88)	3/4 (19.05)	3/4 (19.05) by 2 1/2 (63.5)	3/4 (19.05) by 2 1/2 (63.5)
350 (158.76) to 700 (317.51)	Less than 60 (1524)	1	1	1/2 (12.7)	1 1/2 (38.1)	...	...
350 (158.76) to 700 (317.51)	60 (1524) and over	1	5	5/8 (15.88)	1 1/2 (38.1)	...	...
350 (158.76) to 700 (317.51)	Less than 60 (1524)	2, 4, or 5	2, 3, and 4	5/8 (15.88)	3/4 (19.05)	3/4 (19.05) by 2 1/2 (63.5)	...
350 (158.76) to 700 (317.51)	60 (1524) and over	2 or 4	6 and 7	5/8 (15.88)	3/4 (19.05)	3/4 (19.05) by 2 1/2 (63.5)	3/4 (19.05) by 2 1/2 (63.5)
700 (317.51) to 2000 (907.18)	Less than 60 (1524)	1	1	5/8 (15.88)	1 1/2 (38.1)	...	...
700 (317.51) to 2000 (907.18)	60 (1524) and over	1	5	1 1/16 (17.46)	1 1/2 (38.1)	...	...
700 (317.51) to 2000 (907.18)	Less than 60 (1524)	2, 4, or 5	2, 3, and 4	5/8 (15.88)	3/4 (19.05)	3/4 (19.05) by 2 1/2 (63.5)	...
700 (317.51) to 2000 (907.18)	60 (1524) and over	2 or 4	6 and 7	1 1/16 (17.46)	3/4 (19.05)	3/4 (19.05) by 2 1/2 (63.5)	3/4 (19.05) by 2 1/2 (63.5)

<sup>A</sup> Includes circles less than 36 in. (914.4 mm) in diameter. For circles 36 in. (914.4 mm) in diameter and over see [Table S1.1](#).

<sup>B</sup> When Groups III and IV are used instead of Groups I and II, lumber may be 1/16 in. (1.5876 mm) less in thickness than that specified for Groups I and II.

each end. Diagonals shall be fastened to other members with a minimum of three nails at each end.

7.6.1.3 *Strapping*—Flat steel strapping 5/8 by 0.020 in. (15.88 by .508 mm) shall be used. Equivalent nonmetallic strapping may be used when comparable strength requirements are satisfied. Straps shall be applied perpendicular to the edges of the crate and tensioned to sink into the wood at the edges of the crate, provided corner protectors are not used.

(1) *Strap Spacing*—Two girthwise straps shall be applied, one over each vertical framing member.

7.6.1.4 *Skids*—Skids fabricated from nominal 4 by 4-in. (101.6 by 101.6 mm) lumber or laminated 2 by 4-in. (50.8 by 101.6 mm) lumber shall be attached perpendicular to the long dimension of all crates with gross weight exceeding 200 lb. (90.72 kg) As an alternative, Style 1 crates weighing over 200 lb (90.72 kg) gross may be strapped to a pallet.

**TABLE 7 Strap Sizes for Boxes and Bundles (6.2.8)**  
(Figs. 1-7, Fig. 19, Fig. 20, Fig. 21, and Fig. 22)

Type of Package	or	Weight of Contents, lb	Flat Steel Strapping, in.
Pallets	...	...	5/8 by 0.020 (15.88 by .508 mm)
...		Less than 700 (317.51 kg)	5/8 by 0.020 (15.88 by .508 mm)
Bundles	...	...	3/4 by 0.023 (19.05 by .584 mm)
...		700 to 2000 (317.51 to 907.18 kg)	3/4 by 0.023 (19.05 by .584 mm)

**TABLE 8 Strap Sizes for Styles 2 and 3 Crates**  
(Fig. 17 and Fig. 18)

Weight of Contents, lb (kg)	Flat Steel Strapping, <sup>A</sup> in. (mm)
Less than 700 (317.51)	5/8 (15.88) by 0.020 (.508)
700 (317.51) to 2000 (907.18)	3/4 (19.05) by 0.023 (.584)
2000 (907.18) to 4000 (1814.37)	3/4 (19.05) by 0.031 (.787)

<sup>A</sup>Other equivalent strapping may be used when comparable strength requirements are met.

7.6.2 *Style 2 Crate* (Fig. 17)—Open crate for net weights not exceeding 4000 lb (1814.37 kg) and interior dimensions not exceeding 40 ft (12.19 m) long by 6 ft (1.83 m) wide by 4 ft (1.22 m) high.

7.6.2.1 *Fabrication*—Style 2 crates shall be constructed with skids, deckboards, battens, framing members, ends, and sling reinforcements, arranged as shown in Fig. 17.

7.6.2.2 *Skids (Runners)*—A minimum of two skids shall be used for crates not exceeding 60 in. (1524 mm) in width, and a minimum of three skids shall be used for crates exceeding 60 in. (1524 mm) in width. Skids shall be fabricated from laminated 2 by 4-in. (50.8 by 101.6 mm) lumber or 4 by 4-in. (101.6 by 101.6 mm) lumber.

7.6.2.3 *Deckboards*—Deckboards function as bottom battens for the contents of the crate. Deckboards shall be 2 by 6-in. (50.8 by 152.4 mm) lumber, spaced not more than 12 in. (304.8 mm) from ends of crate and no more than 60 in. (1524 mm) apart on centers and shall be secured to skids at each intersection. Deckboards shall extend approximately 1 in. (25.4 mm) beyond each side of contents.

7.6.2.4 *Battens (Cleats)*—Battens shall be of 2 by 6-in. (50.8 by 152.4 mm) lumber, grooved to retain straps placed around them. Battens shall be spaced identically with deckboards, side battens set on 1-in. (25.4 mm) extension of deckboards. Side battens shall be approximately 3/8 in. (9.53 mm) shorter than the height of the contents of the crate. Top battens shall extend approximately 1 in. (25.4 mm) beyond each side of contents of crates.

7.6.2.5 *Framing Members*—Framing members shall be 1 by 6-in. (25.4 by 152.4 mm) lumber and arranged as shown in Fig. 17.

7.6.2.6 *Sling Reinforcements*—Sling reinforcements shall be 2 by 6-in. (50.8 by 152.4 mm) lumber positioned on each side at each end between the lower longitudinal framing members and contents so as to distribute sling pressure over a greater

area. Sling reinforcements shall extend the full distance between two sets of battens.

7.6.2.7 *Ends*—Ends shall be constructed of 1-in. (25.4 mm) lumber with 1 by 4-in. (25.4 by 101.6 mm) lumber framing or cleats around all edges of the end. Ends shall be the same dimensions as width and height of the contents of the crate plus the thickness of deckboards and battens.

7.6.2.8 *Nails*—Cement coated or chemically etched 7d nails shall be used. Bright nails may be used instead of coated or etched nails for Groups III and IV woods.

7.6.2.9 *Strapping*—Size of straps shall be as shown in Table 8. Straps shall be positioned girthwise over each set of deckboards and battens prior to application of framing members, ends, and sling reinforcements. Straps shall be tensioned to sink into the wood at the edges of the battens, provided corner protectors are not used, but shall not be tensioned to damage contents of crates.

7.6.2.10 *Rubbing Strips*—For DoD shipments, rubbing strips shall be added to crates 60 in. (1524 mm) or more in length. Rubbing strips shall be fabricated from nominal 4 by 4 in. (101.6 by 101.6 mm) or laminated 2 by 4 in. (50.8 by 101.6 mm) lumber and shall be attached to skids in such manner as to provide four-way forklift entry. The bottom half of rubbing strip ends shall be beveled at a 45° angle.

7.6.3 *Style 3 Crate* (Fig. 18)—Open crate for net weights not exceeding 4000 lb (1814.37 kg) and interior dimensions not exceeding 40 ft (12.19 m) long by 6 ft (1.83 m) wide by 4 ft (1.22 m) high.

7.6.3.1 *Fabrication*—Style 3 crates shall be constructed with skids, cleats, framing members, and ends as shown in Fig. 18.

7.6.3.2 *Skids (Runners)*—Skids shall be 4 by 4-in. (101.6 by 101.6 mm) or laminated 2 by 4-in. (50.8 by 101.6 mm) lumber placed girthwise, located at each end of crate and spaced a maximum of 60 in. (1524 mm) apart.

7.6.3.3 *Framing Members and Cleats*—Longitudinal framing members, diagonals, and cleats shall be 1 by 6-in. (25.4 by 152.4 mm) lumber and located as shown in Fig. 18. Top and bottom panels shall have girthwise cleats spaced a maximum of 30 in. (762 mm) apart. Side panels shall have vertical cleats spaced a maximum of 60 in. (1524 mm) apart.

7.6.3.4 *Ends*—Ends shall be constructed of 1 by 6-in. (25.4 by 152.4 mm) lumber. Ends shall be the same dimensions as the width and height of the contents of the crate. Spacing between vertical end boards shall be such as to prevent loss of contents.

7.6.3.5 *Nails*—Cement coated or chemically etched 7d nails shall be used. Bright nails may be used instead of coated or etched nails for Groups III and IV woods.

7.6.3.6 *Strapping*—Size of straps shall be as shown in Table 8. Straps shall be positioned girthwise and centered over side panel framing members. Straps shall be tensioned so as to sink into the wood at the corners of the crate.

7.7 *Bundles, Pallets, and Coils* (Figs. 19-22)—Bundles, pallets, and coils shall be prepared as shown in Figs. 19-22. Pallet size (Fig. 21) shall not exceed 40 by 48 in. (1016 by 1219.2 mm).

TABLE 9 Dimensions for Spools of Inert Gas Welding Electrodes (see Table 1)

Spool Part	1-lb (.45 kg) Plastic Spool Size, <sup>A</sup> in. (mm)	10-lb Fiber Spool Size, <sup>A</sup> in. (4.54 kg.)	12½-lb (5.67 kg.) Plastic Spool Size, <sup>A</sup> in.
Width, overall	1¾ (44.45) ± ½ (1.27)	4 (101.6) ± ¼ (1.59)	4 (101.6) ± ¼ (1.59)
Flange diameter	4 (101.6) + 0, - ¼ (1.59)	12 (304.8) max ...	12 (304.8) max ...
Arbor hole diameter	0.630 (16.00) + 0.005 (.127) - 0.000	2⅞ (52.39) + ¼ (1.59) - 0	2⅞ (51.6) + ¼ (1.59) - 0
Engaging hole diameter	none...	⅞ (11.11) + 0 - ½ (1.27)	⅞ (11.13) + 0 - ½ (1.27)
Engaging hole location	none...	1¾ (44.45) ± ¼ (0.4) (off center)	1¾ (44.45) ± ¼ (0.4) (off center)

<sup>A</sup> Tolerances allowed shall be as indicated.

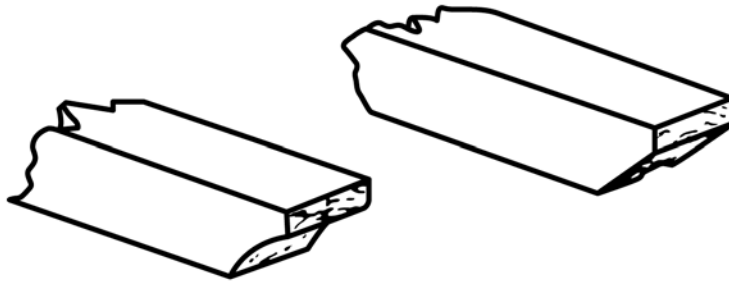


FIG. 8 Skid (Runner) Ends Dadoed or Beveled, Bottoms Notched (Mandatory for DoD otherwise optional)

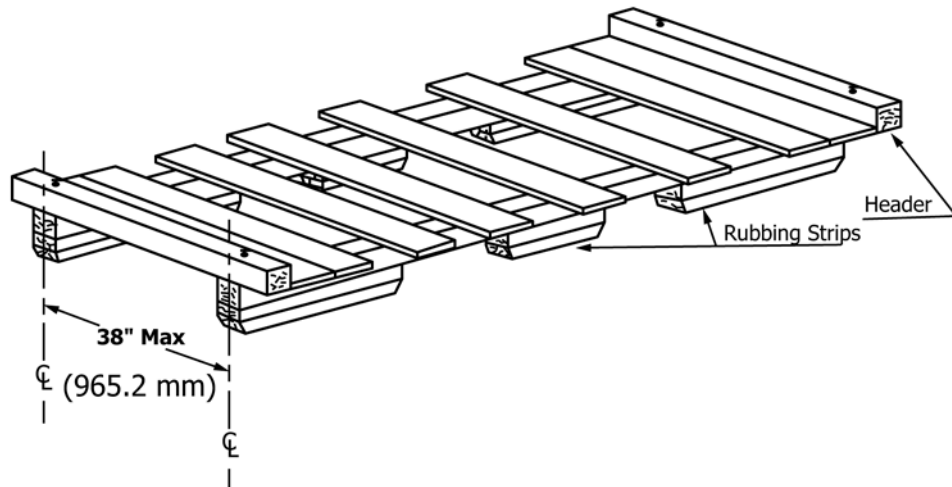


FIG. 9 Pallet with Lengthwise Skids (Runners)<sup>C</sup> (Headers mandatory for DoD, otherwise optional)

7.7.1 *Strapping*—Coils shall be tied in a minimum of three places with flat strapping after wrapping (Fig. 19). Size of strapping for pallets (Fig. 21), bundles (Figs. 20 and 22) and coils (Fig. 19) shall be as shown in Table 7.

7.8 *Reels* (Fig. 23)—Reels shall be constructed as shown in Fig. 23. Reels shall be completely enclosed with wood lagging with lags touching each other. Lags shall be 1½-in. (38.1 mm) thick lumber and shall be nailed to the circumference of the head of the reel extending across the edges of both heads. Lags shall be tied with two ¾ by 0.025-in. (19.05 by 0.635 mm) flat steel straps or nonmetallic straps of comparable strength.

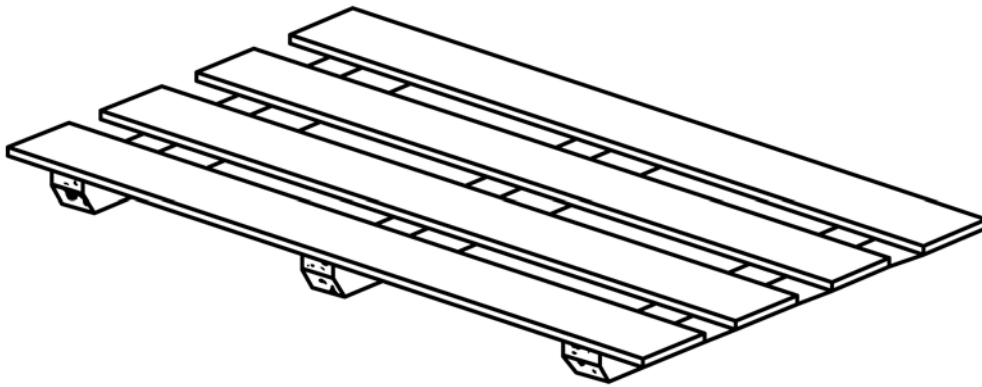
7.9 *Flanges for Supporting Coiled Foil* (Fig. 24)—Flanges shall be fabricated and positioned as shown in Fig. 24.

Flanges supporting weights less than 100 lb (45.36 kg) shall be ⅝ in. (15.88 mm) thick. Flanges supporting weights of 100 lb (45.36 kg) and over shall be ¾ or ⅝ in. (19.05 by 15.88 mm) thick with ⅝ by 2½-in. (15.88 mm by 63.5 mm) vertical cleats.

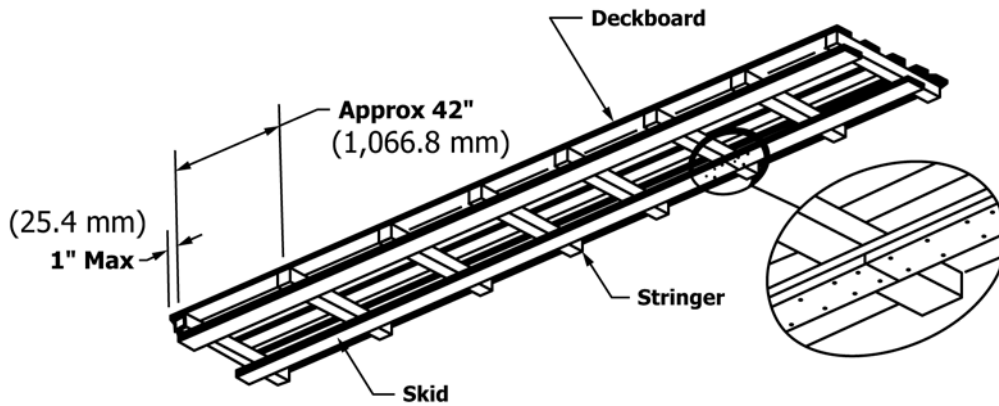
NOTE 2—Several narrow coils may be suspended on one dowel.

7.10 *Spools*—Spools for products other than inert gas welding electrodes shall be standard commercial quality, type, and size normally used for aluminum and magnesium products. Spools for inert gas welding electrodes shall be in accordance with Table 9.

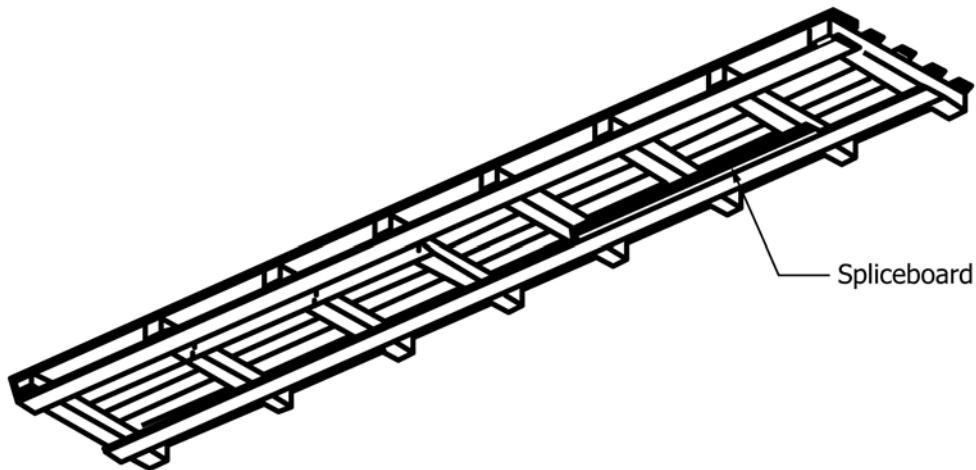
7.11 *Steel Pails*—Steel pails shall conform to or be equivalent with the requirements of Federal Specification PPP-P-704.



**FIG. 10 Pallet with Crosswise Skids (Runners)<sup>C</sup>**  
<sup>C</sup> For plate and plate circles; sheet, flat, or coiled. Roofing and siding.



**FIG. 11 Double Faced Pallet with Laminated Skids (Runners)<sup>D</sup>**



**FIG. 12 Double Faced Pallet with Spliceboards<sup>D</sup>**  
<sup>D</sup> For plate and plate circles; sheet, flat, or coiled roofing and siding.

7.12 *Steel Drums*—Steel drums shall conform to or be equivalent with the requirements of Federal specification PPP-D-705 or PPP-D-729.

7.13 *Metal Cans*—Metal cans shall conform to the requirements of Federal Specification PPP-C-96, Type V, Class 2.

7.14 *Fiber Drums*—Fiber drums shall conform to or be equivalent with the requirements of Federal Specification PPP-D-723.

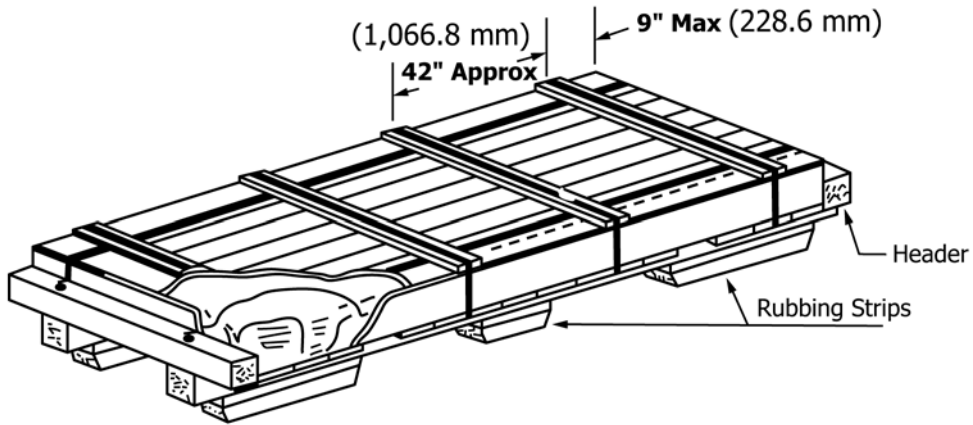


FIG. 13 Pallet Enclosure<sup>E</sup> (Headers mandatory for DoD, otherwise optional)

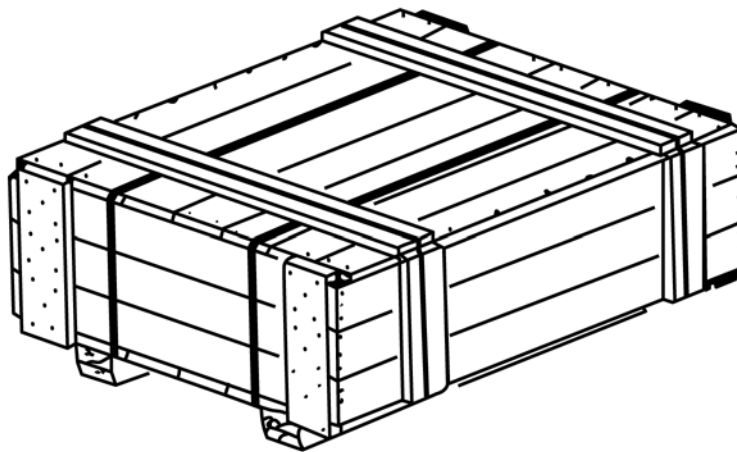
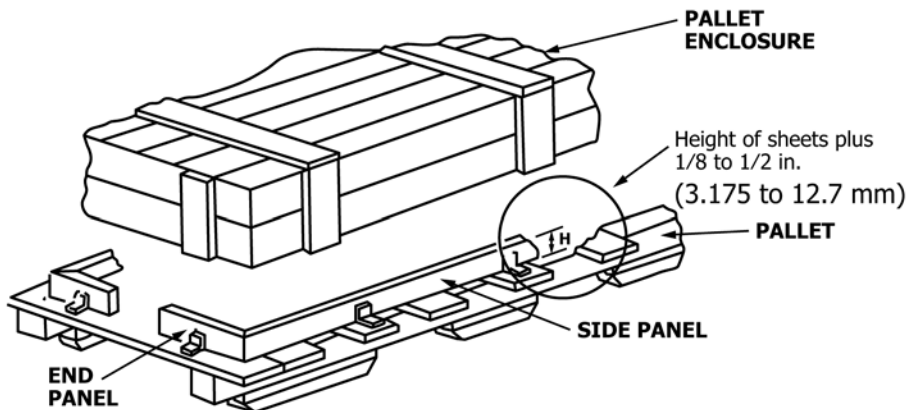


FIG. 14 Pallet Enclosure<sup>E</sup>  
<sup>E</sup> For flat sheet.



NOTE 1—This figure is the same as DISC Dwg. No. 01735.

FIG. 15 Pallet Enclosure<sup>J</sup>

<sup>J</sup> For flat sheet, maximum net load shall be either 4000 lb (1814.37 kg) or 200 sheets, whichever is reached first.

7.15 *Spirally Wound Fiber Tubes*—Spirally wound fiber tubes shall be fabricated in accordance with Federal Specification PPP-T-495, Type II, Class 1, Style A, with wood or metal ends. Crushing strength shall be 250 lbf/in. (4.46

kgf/mm) section instead of that specified with a minimum wall thickness of 0.250 in. (6.35 mm). The wood ends shall be cut the size of the inside diameter of the fiber tube from nominal



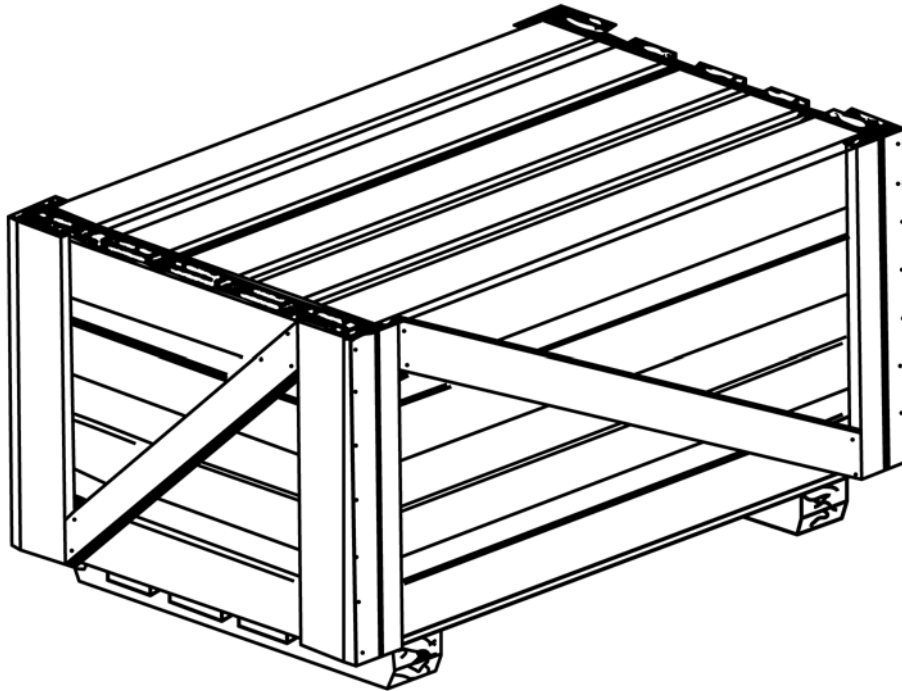


FIG. 16 Style 1 Crate, Open<sup>F</sup>  
<sup>F</sup> For castings, fittings, and coiled tube.

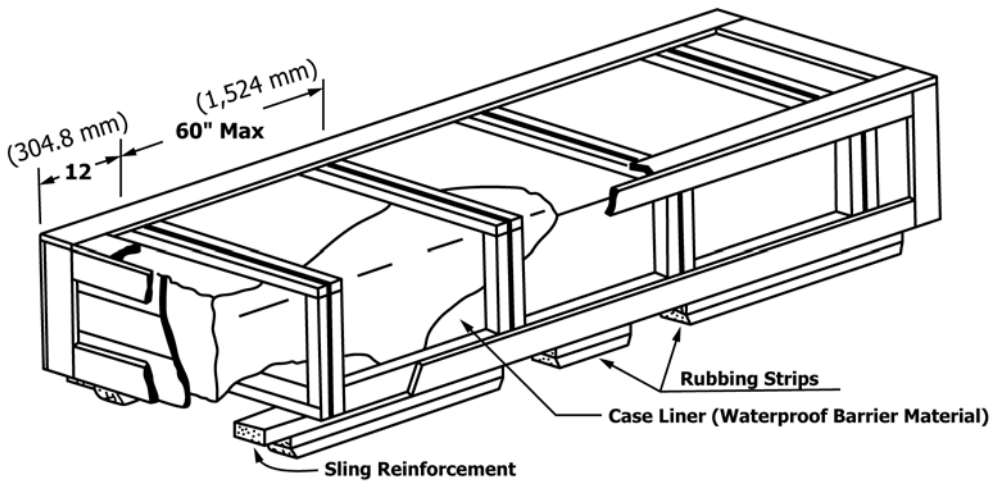


FIG. 17 Style 2 Crate, Open (Rubbing strips mandatory for DoD, otherwise optional)<sup>G</sup>

1-in.(25.4 mm) thick wood stapled to container walls. Staples shall be spaced a maximum of 1½ in. (38.10 mm) apart.

7.16 *Maximum Weight Per Container*—Maximum gross weights per container shall, unless otherwise agreed upon, be at the producer or supplier’s discretion, provided that they are such to ensure acceptance by common or other carriers for safe transportation at the lowest rate to the delivery point. For DoD requirements, maximum net weight per container shall be the maximum acceptable weight specified in [Table 1](#). *Exception:* When the weight of a single piece of metal exceeds this limitation, material will be packed one piece per pallet.

## 8. Commercial Packing

8.1 When commercial packing is specified, items may be packed in the manner employed by the supplier to afford

protection against damage during shipment, and must, as a minimum, meet carrier rules and regulations. Weight per shipping unit, unless otherwise specified in the contract or order, shall be at the shipper’s option. For additional examples of commercial packing, see [Figs. 25-31](#).

## 9. Marking

9.1 Department of Defense (DoD) shipments, unless otherwise specified in the contract or order, shall be marked in accordance with MIL-STD-129 for Level A, and in accordance with the Supplementary Requirements of Practice [D3951](#).

## 10. Keywords

10.1 aluminum and magnesium products; packaging/packing

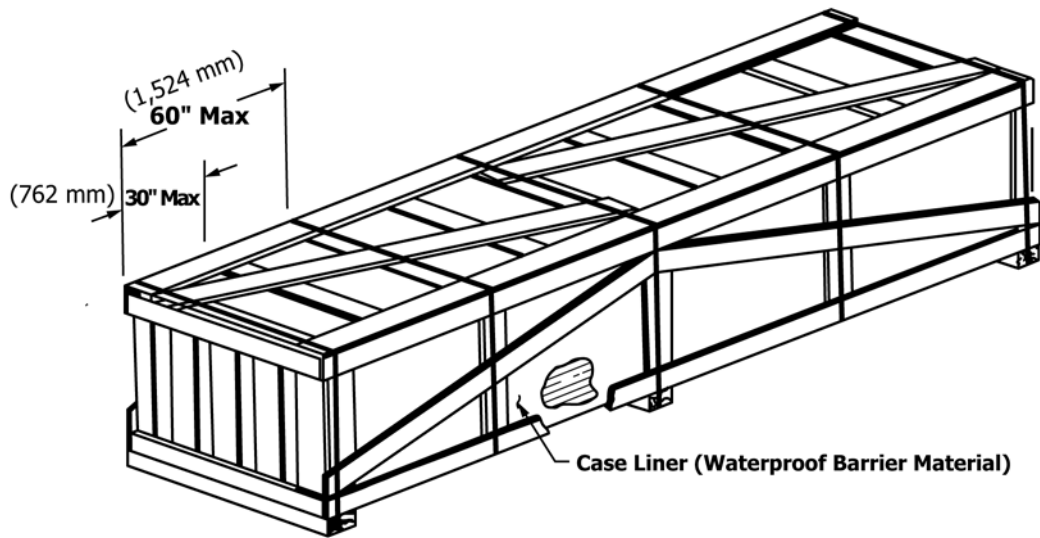


FIG. 18 Style 3 Crate, Open<sup>G</sup>  
<sup>G</sup> For pipe.

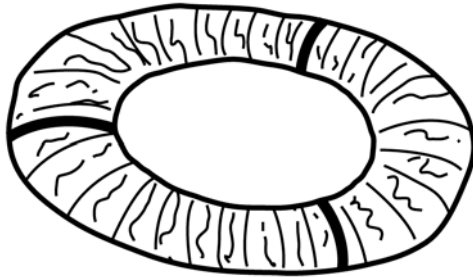


FIG. 19 Paper Wrapped Coil<sup>H</sup>  
<sup>H</sup> For coiled bar, rod, wire, cable AWG 10 or less, and coiled brazing rod.

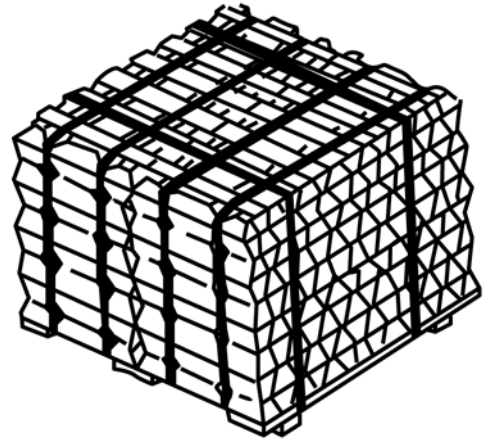


FIG. 21 Pallet for Ingot (See 7.7)

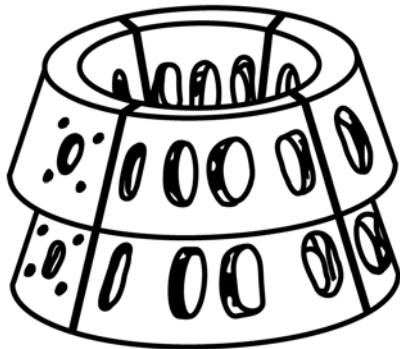


FIG. 20 Strapped Bundle for Castings and Forgings

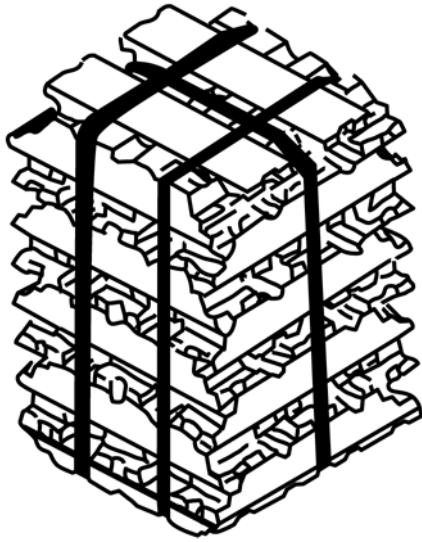


FIG. 22 Strapped Bundle for Ingot (See 7.7)

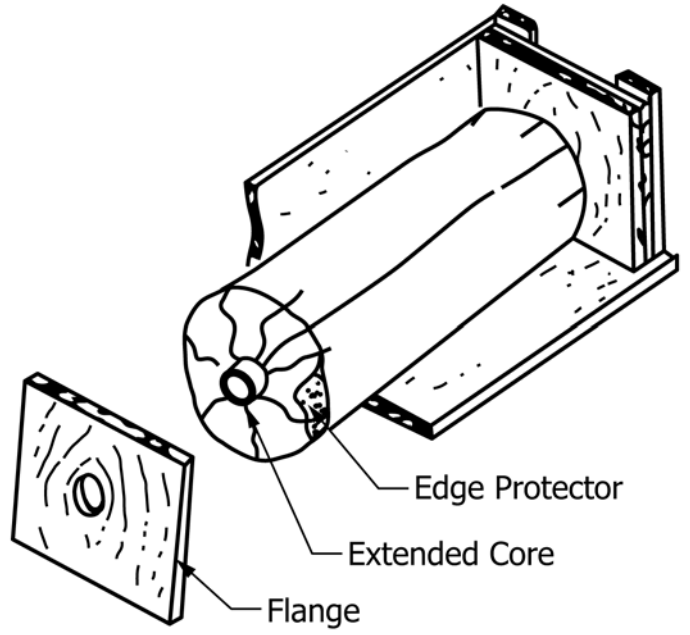


FIG. 24 Coil Foil Packing (See 7.9)

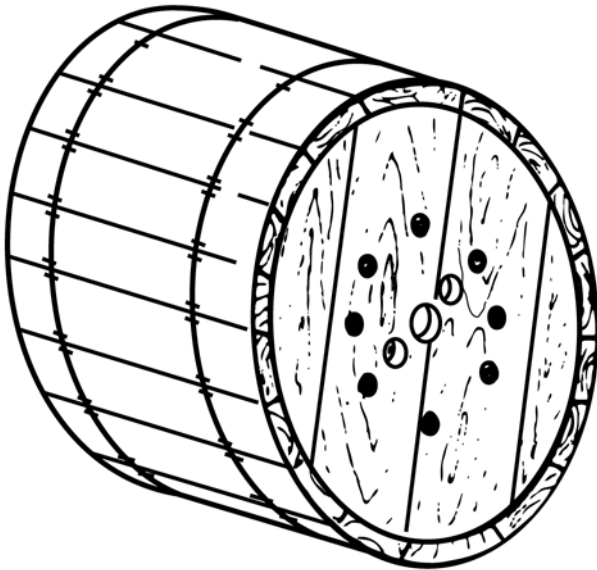
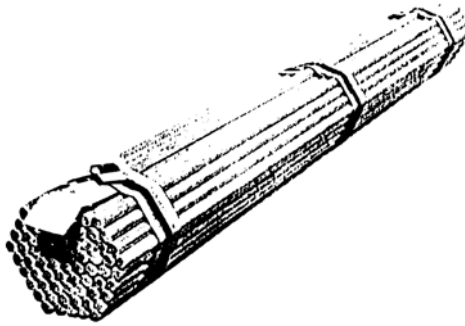
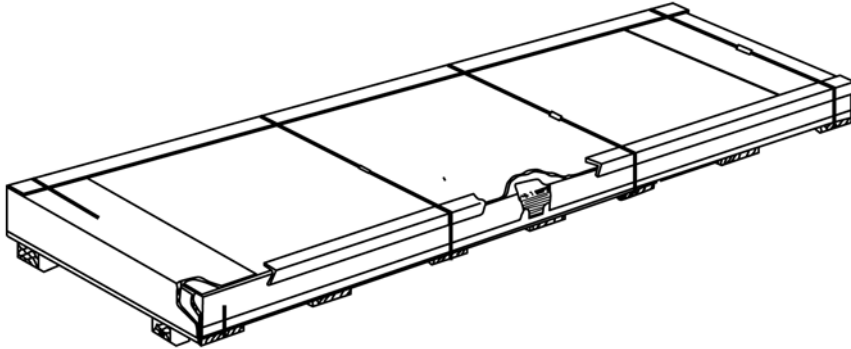


FIG. 23 Lagged Reel (Export Reel)  
For cable.

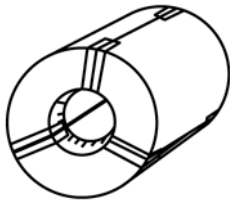


**FIG. 25 Bare Bundle for Rod, Bar, Profiles, Tube**

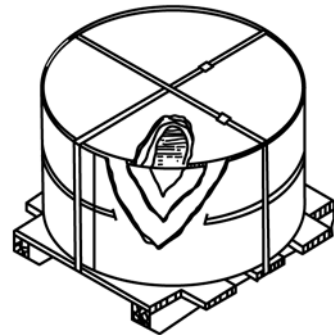
Bundle is unwrapped and will be steel strapped at both ends with protection beneath the straps. This entire bundle will be shipped on 2 by 4's or 4 by 4's to allow for overhead crane unloading.



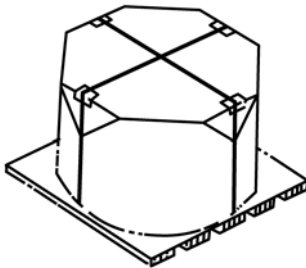
**FIG. 26 Enclosed Pallet for Sheet**



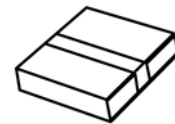
**FIG. 27 Bulk Coil**



**FIG. 29 Fiber Enclosed Skid for Coil**



**FIG. 28 Coil Skid**



**FIG. 30 Carton-Circles**

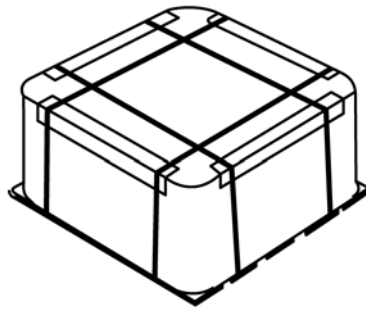
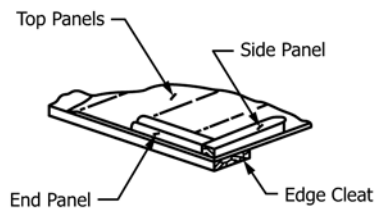
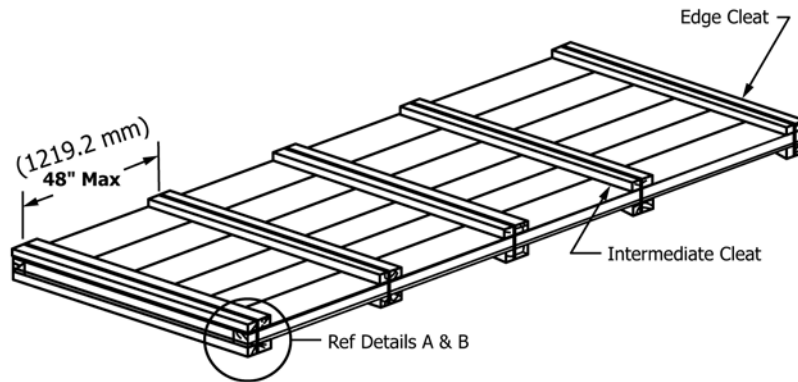


FIG. 31 Skid for Circles

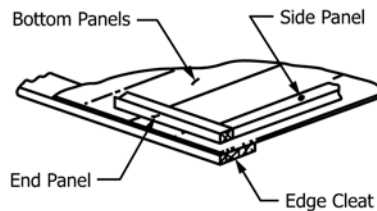
SUPPLEMENTARY REQUIREMENTS

The following supplementary requirements apply to Department of Defense redistribution and shall apply when specified by the purchaser in the contract or order, and may be used by commercial suppliers.

S1. Construction of Boxes for Flat Sheet (Figs. S1.1-S1.4)



DETAIL A  
TOP PANEL (INVERTED)



DETAIL B  
BOTTOM PANEL

FIG. S1.1 Wood Box for Flat Sheet (Telescopic)<sup>K</sup>  
<sup>K</sup> For DoD redistribution.

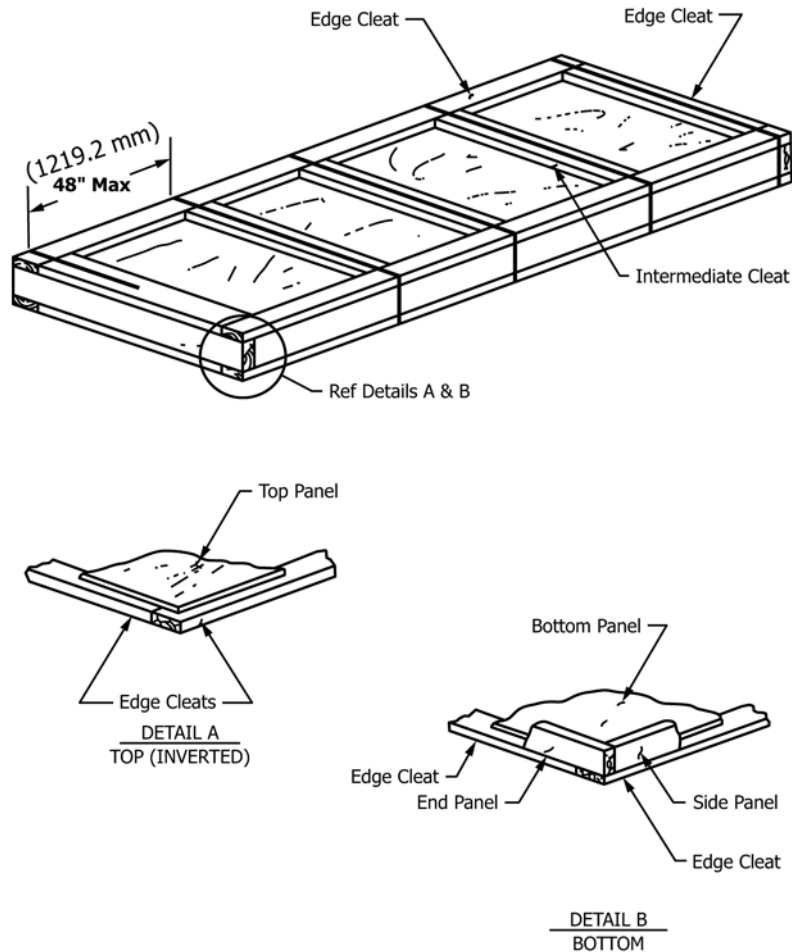


FIG. S1.2 Plywood or Paper Overlaid Veneer Box (Telescopic) for Flat Sheet<sup>K</sup>

S1.1 Material shall be boxed in wood (Fig. S1.1), plywood or paper overlaid veneer (Fig. S1.2) or solid fiberboard panel (Figs. S1.3 and S1.4) boxes. Quantity per box shall be limited to 500 lb gross weight. When shipment exceeds one box to a single destination, boxes shall be strapped to pallets (7.4) conforming to Fig. 9, Fig. 10, Fig. 11, or Fig. 12 as applicable with a minimum of three girthwise 1¼ by 0.031 in. (31.75 by .79 mm) steel straps. Not less than two lengthwise 1¼ by 0.031 in. (31.75 by .79 mm) steel straps shall be tension tied around the total load being palletized. Straps shall pass over existing top cleats or 1 by 2 in. (25.4 by 50.8 mm) battens shall be applied in the void and secured to the strapping with staples.

S1.2 *Top and Bottom Panels*—Top and bottom panels shall consist of a complete covering of lumber, plywood, paper overlaid veneer, or a single piece of solid sheet weather-resistant fiberboard.

S1.3 *Side and End Panels*—The thickness of the side and end panels for Figs. S1.1-S1.4 boxes shall be such that the inside depth of the box corresponds with the thickness of the contents without voids.

S1.3.1 *Fig. S1.1 Box*—Side and end panels for Fig. S1.1 box shall consist of lumber attached to the top and bottom container panels to effect a telescopic closure. Lumber attached to the underside of the top panel shall be fastened flush with all outer

edges. Lumber attached to the bottom panel shall be set in from the outer edges a distance sufficient to result in approximately ¼ in. (6.35 mm) telescopic clearance to facilitate easy container closure. Depth thickness of side and end members shall be varied to obtain the desired depth of box not to exceed the maximum depth of Table S1.1. The total width of the side and end panels including maximum ¼ in. (6.35 mm) telescoping tolerance, shall not be less than the width established in Table S1.1 when the container is closed. Side and end panels shall be nailed or stapled.

S1.3.2 *Fig. S1.2 Box*—Side and end panels for Fig. S1.2 box shall consist of lumber attached to the bottom container panel edge cleats as shown in detail A and B. The side and end panels shall be placed approximately ¼ in. (6.35 mm) from the bottom panel to prevent binding when the top is placed on the container. Thickness of the side and end members shall be varied to obtain the desired depth of box not to exceed the maximum depth of Table S1.1. The width of the side and end panels, including telescoping tolerance, shall be not less than the width established in Table S1.1 when the container is closed. Side and end panels shall be nailed or stapled.

S1.3.3 *Fig. S1.3 Box*—Side and end panels for Fig. S1.3 box shall be constructed as specified in S1.3.1 except that sides and ends shall be stapled.

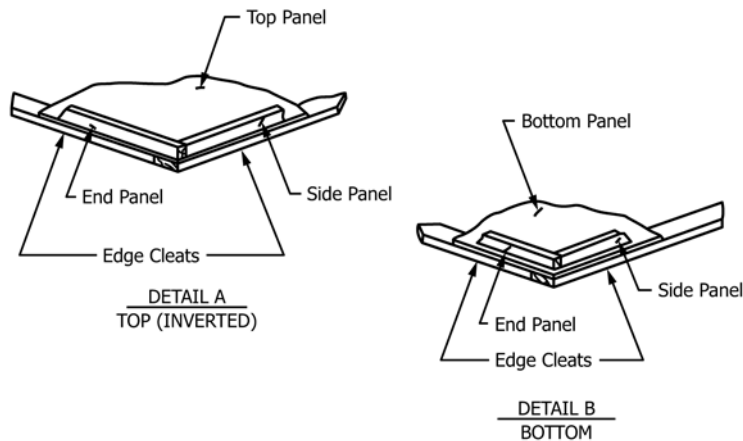
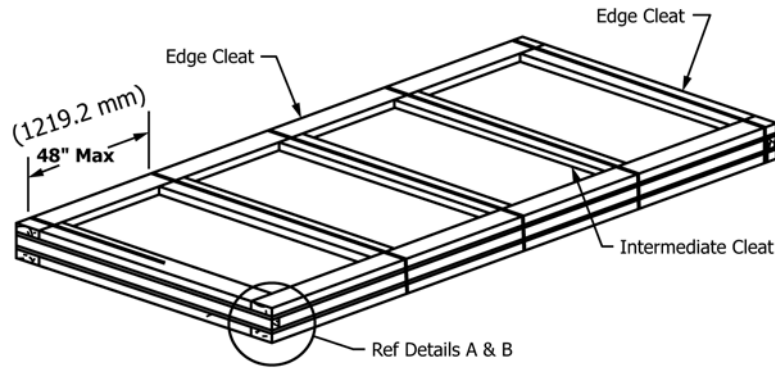


FIG. S1.3 Solid Fiberboard Panel Box (Telescopic) for Flat Sheet<sup>K</sup>

S1.3.4 Fig. S1.4 Box—Side and end panels for Fig. S1.4 box shall consist of lumber attached to the top and bottom container panels to effect a telescopic closure. Side and end panels attached to the underside of the top panel shall be fabricated from maximum  $\frac{3}{4}$  by  $\frac{3}{4}$  in. (19.05 by 19.05 mm) lumber and shall be fastened flush with all outer edges. The bottom side and end panels shall be of 2 piece assembly, constructed by lamination  $\frac{3}{4}$  by  $\frac{3}{4}$  in. (19.05 by 19.05 mm) maximum dimension lumber to a lumber spacer not more than  $\frac{3}{4}$  by  $1\frac{1}{2}$  in. (19.05 by 38.1 mm) in size as shown in detail A and B. The laminated assembly shall be attached to the bottom container panel flush with all outer edges. Side and end panels shall be stapled.

S1.4 Cleats:

S1.4.1 Top and bottom panels shall be provided with cleats in accordance with Table S1.1. Cleats, except for Figs. S1.3 and S1.4, shall be nailed or stapled. Figs. S1.3 and S1.4 edge cleats shall be stapled and glue laminated; intermediate cleats shall be glued only. Any water-resistant adhesive which provides a bond equivalent in strength to the material being bonded may be used.

S1.4.2 Positioning of Cleats—Lengthwise cleats shall extend the full length of the panel except Fig. S1.1 box will require no lengthwise cleats. Fig. S1.2 lengthwise and girthwise edge cleats shall be offset as shown in the detail a distance

the width of the side and end panel plus  $\frac{1}{4}$  in. (6.35 mm) Fig. S1.1 girthwise edge cleats and Fig. S1.2 and Fig. S1.3 lengthwise and girthwise edge cleats shall be flush with the outer edges of the top and bottom panels. Intermediate girthwise cleats, of the same width and thickness as the edge cleats, shall be placed a maximum of every 48 in. (1219.2 mm) center-to-center. When top and bottom panels, Fig. S1.2 container, require girthwise splicing to facilitate covering of metal sheets more than 48 in. (1219.2 mm) wide, the widths of the outer lengthwise edge cleats may exceed the requirements of Table S1.1 and incorporate the splicing requirements of 5.1.2.

S1.4.3 Nailing and Stapling—Size and spacing of nails and staples shall be in accordance with Tables S1.2 and S1.3. Nails or staples used to attach Figs. S1.1 and S1.2 intermediate cleats shall be slightly overdriven in the sequence of through the panel and into the cleat and shall be clinched at least  $\frac{1}{8}$  in. (3.18 mm). Intermediate cleats for Fig. S1.3 and Fig. S1.4 boxes shall be fastened in accordance with S1.4.1. The sides and ends shall be stapled or nailed as required (see S1.4.1) to the top and bottom container panels with the same staples or nails used to attach cleats to the outer container edges of the top and bottom panels specified in S1.3 and S1.4.1. Staples and nails shall be driven in the sequence of through the cleats and into the sides and ends. No staple or nail shall be driven

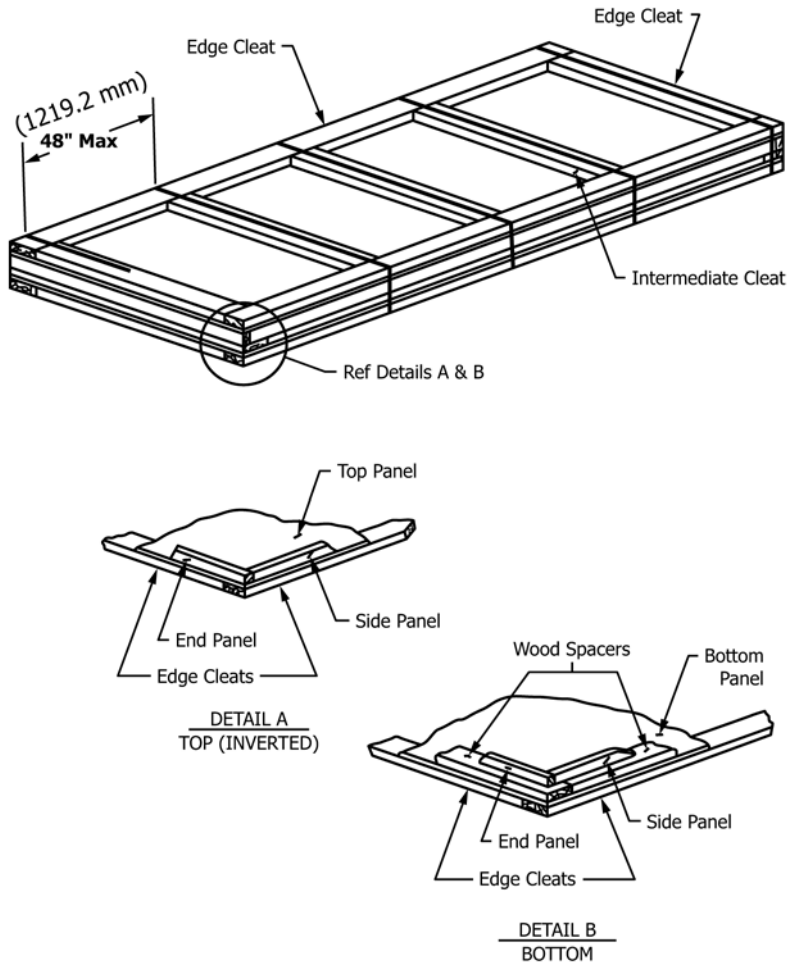


FIG. S1.4 Solid Fiberboard Panel Box, With Spacer (Telescopic) for Flat Sheet<sup>K</sup>

TABLE S1.1 Boxes for Flat Sheet (Figs. S1.1-S1.4)

Style of Box (Fig. Number)	Depth of Box (Inside) in. (mm)	Sides and Ends (min thickness) in. (mm) <sup>A</sup>	Top and Bottom Thickness in. (mm)	Cleats (min thick and width) in. (mm)
32	2½ (63.5)	1½ (38.1)	½ (12.7) ± ¼ (1.59)	½ (12.7) by 2½ (63.5)
33	2½ (63.5)	1 (25.4)	¾ (4.78) ± ¼ (1.59)	½ (12.7) by 2½ (63.5)
34	<sup>B</sup>	1½ (38.1)	0.090 (2.29)	⅝ (7.94) by 2½ (63.5)
35	1½ (38.1) (includes thickness of spacer)	1½ (38.1)	0.090 (2.29)	⅝ (7.94) by 2½ (63.5)

<sup>A</sup> Thickness is that dimension measured from inside to outside of box. Includes telescoping tolerances.

<sup>B</sup> Boxes not exceeding 8 ft (2.44 m) in length, 1½ in (38.1 mm); boxes exceeding 8 ft (2.44 m) in length, ¾ in. (19.05 mm)

completely through the sides and ends. As an alternate for Figs. S1.1 and S1.2 boxes only, staples and nails may be driven in the sequence of through the sides and ends and into the cleats and shall be clinched at least ⅛ in. (3.18 mm). The positioning of the staples and nails shall not interfere with the container closure or come in contact with the packaged contents.

TABLE S1.2 Average Nail and Staple Spacing for Boxes for Flat Sheet (Figs. S1.1-S1.4)

Parts Fastened	Spacing in. (mm) <sup>A</sup>
Top and bottom to intermediate cleats on wood boxes (Fig. S1.1)	4 (101.6)
Top and bottom to intermediate cleats on plywood and POV boxes (Fig. S1.2)	12 (304.8)
Girthwise edge cleats and top and bottom to side and end panels on wood boxes (Fig. S1.1)	9 (228.6)
Edge cleats to top and bottom and side and end panels on plywood and POV boxes (Fig. S1.2)	9 (228.6)
Edge cleats to top and bottom and side and end panels on solid fiberboard panel boxes (Fig. S1.3 and Fig. S1.4)	9 (228.6)

<sup>A</sup> Not less than one nail or staple shall be used at end of all cleats except Fig. S1.2 and Fig. S1.3 intermediate cleats.

## S2. Placing Material in Container

S2.1 When placing flat sheet in container, care shall be exercised to ensure that the surface containing item identification markings is placed upright for easy identification when top is removed.

## S3. Closure (Strapping)

S3.1 Figs. S1.1-S1.4 boxes shall be closed by strapping positioned at all girthwise cleats. Size of straps shall be in accordance with Table 7.



**TABLE S1.3 Nail and Staple Sizes for Boxes for Flat Sheet**  
(Figs. S1.1-S1.4)

Parts Nailed or Stapled	Nail or Staple Size <sup>A,B,C</sup>
Top and bottom to intermediate cleats (Fig. S1.1 and Fig. S1.2)	2 d
Edge cleats and top and bottom to side and end panels: (Fig. S1.1 and Fig. S1.2) (Fig. S1.3 and Fig. S1.4)	5 d to 12 d 0.0625 (16 gage)

<sup>A</sup> 2 d nails or minimum 0.0625 in. (1.59 mm) diameter (16 gage) staples having minimum  $\frac{7}{16}$  in. (11.11 mm) crown with leg lengths equal to the sum of the thickness of the panels and cleats plus  $\frac{1}{8}$  in. (3.18 mm) and clinched.

<sup>B</sup> Size of nail varies with the thickness of the top and bottom and side or end panel.

<sup>C</sup> Length of staple shall be equal to thickness of cleat, panels and  $\frac{1}{2}$  to  $\frac{7}{8}$  of the height of the side and end.

#### S4. Boxes for Products Other Than Flat Sheet

S4.1 When required by Table 1, products shall be packed in wood boxes (Figs. 1-7) and corrugated weather-resistant fiberboard boxes.

#### S5. Construction of Corrugated Weather-Resistant Fiberboard Boxes

S5.1 Triplewall corrugated weather-resistant fiberboard boxes shall be constructed in accordance with Practice D5168. Singlewall and doublewall corrugated weather-resistant fiberboard boxes shall be constructed in accordance with Practice D1974. Maximum inside dimensions of box (length, width, and depth added) shall not exceed 215 in. (5461 mm). Weight limitations of Table 1 shall apply.

#### S6. Fig. 15, Fig. S1.1, and Fig. S1.2 Boxes

S6.1 Exterior container identification markings shall be in accordance with MIL-STD 129.

### SUMMARY OF CHANGES

Committee B07 has identified the location of selected changes to this standard since the last issue (B660 – 08) that may impact the use of this standard. (Approved May 1, 2015.)

(1) Revision of Footnote D and addition of Footnote H in Table 1.

*ASTM International takes no position respecting the validity of any patent rights asserted in connection with any item mentioned in this standard. Users of this standard are expressly advised that determination of the validity of any such patent rights, and the risk of infringement of such rights, are entirely their own responsibility.*

*This standard is subject to revision at any time by the responsible technical committee and must be reviewed every five years and if not revised, either reapproved or withdrawn. Your comments are invited either for revision of this standard or for additional standards and should be addressed to ASTM International Headquarters. Your comments will receive careful consideration at a meeting of the responsible technical committee, which you may attend. If you feel that your comments have not received a fair hearing you should make your views known to the ASTM Committee on Standards, at the address shown below.*

*This standard is copyrighted by ASTM International, 100 Barr Harbor Drive, PO Box C700, West Conshohocken, PA 19428-2959, United States. Individual reprints (single or multiple copies) of this standard may be obtained by contacting ASTM at the above address or at 610-832-9585 (phone), 610-832-9555 (fax), or service@astm.org (e-mail); or through the ASTM website (www.astm.org). Permission rights to photocopy the standard may also be secured from the Copyright Clearance Center, 222 Rosewood Drive, Danvers, MA 01923, Tel: (978) 646-2600; http://www.copyright.com/*